

REFERENCE SPECIFICATIONS

-NFC 93425 (in compliance with HE 507)

PHYSICAL CHARACTERISTICS

- INSULATOR MATERIAL: THERMOPLASTIC / STANDARD MATERIAL
- CONTACT MATERIAL: PHOSPHOR BRONZE (FEMALE SIGNAL CONTACT)
BRASS (PIN SIGNAL CONTACT)
BRASS (POWERS CONTACT)
- ACCESSORIES: BRASS TIN LEAD OVER NICKEL
- SHELLS: STEEL BRIGHT TIN LEAD

ELECTRICAL CHARACTERISTICS

- NOMINAL CURRENT: 7.5A (STANDARD CONDITIONS)
- CONTACT RESISTANCE: ≤7.3mΩ
- CONTACT/CONTACT : ≥1000 V
- CONTACT/GROUND : ≥1200 V
- INSULATION RESISTANCE: ≥5000 MΩ

ENVIRONMENTAL CHARACTERISTICS

- CLIMATIC CATEGORY: 55/125/21
TEMPERATURE RANGE -55°C TO +125°C
DAMP HEAT STEADY STATE 21 DAYS
SALT SPRAY 24 HOURS

MECHANICAL CHARACTERISTICS

- RETENTION AGAINST TORQUE: - Threaded insert: 0.7 N.m minimum
- Female screw lock: 0.5 N.m minimum

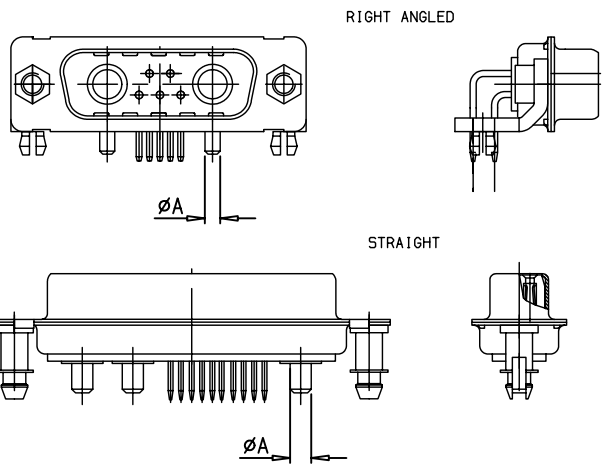
CONTACT PLATING FOR TIN LEAD VERSION

- SIGNAL CONTACT:
- GOLD OVER NICKEL ON MATING AREA
- POWERS CONTACTS:
- GOLD OVER NICKEL ON ACTIVE AREA
 - TIN LEAD OVER NICKEL ON TERMINATION PARTS

CONTACT PLATING FOR LEAD FREE VERSION

NOTE RoHS INFORMATION

- The "LF" products meet european union Directives and other country regulations as described in 65-22-008.
- The housing will withstand exposure to 260°C peak temperature for 3.5 seconds in a wave solder application with a 1.6mm minimum thick circuit board. See application notes/procedures if they are available.
- Termination plating spec:
 - Signal contacts: Ni + Gold
 - Power contacts: 1.27µm Nickel mini, 2.5 to 7.5 µm Sn (pure bright)
 - Shell plating :2 to 4µmCu + 3 to 10µm Sn (pure bright)
 - Accessories: Sn pure bright
- Packaging spec: See 65-14-920



		POWER CONTACTS			ACCESSORIES
500 Mating/unmating - gold contact area	D*****43***	30 A	2.00	ø2.40	ø3.10
200 Mating/unmating - gold contact area	D*****00***				
500 Mating/unmating - gold contact area	D*****43***	40 A	2.80	ø3.10	
200 Mating/unmating - gold contact area	D*****00***				
PROTECTION	PART NUMBER	Max current power	ØA	PCB HOLE tin Lead	PCB HOLE tin Lead

European Views

www.fciconnect.com		surface ISO 1302 ✓	tolerance std ISO 406 ISO 1101	projection mm
TOLERANCES UNLESS OTHERWISE SPECIFIED				
Dr	JARRY	2001/02/05	ANGULAR	LINEAR
Eng	PESSON	2001/02/05	0.X	±0.1
Chr	LEGARE	2001/02/05	0.XX	±0.1
Appr	LEGARE	2001/02/05	0.XXX	±0.1
Product family			D-SUB	
Title			D-SUB MIXED RA & STRAIGHT	
catalog no			C01-8639-0000	
Rev.			F	

rev	ecn no	dr	date
D	-	SBA	2003/09/03
E	LS05-0039	LGO	2005/05/02
F	LS07-0250	LGO	2007/10/04
-	-	-	-
-	-	-	-
-	-	-	-

REV F - 2006-04-17