



BergStak[®] 0.50mm

Product Presentation

Amphenol
FCi

BergStak[®] 0.50mm

Agenda

- Value Proposition
- Product Overview
- Product specifications
- Features & Benefits
- Part Numbers
- Market Applications
- Collaterals

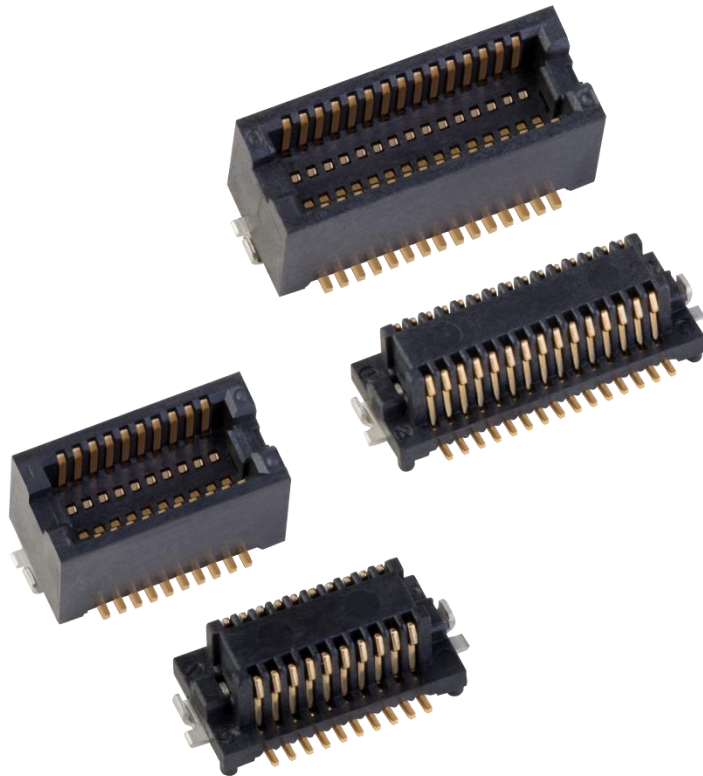
BergStak[®] 0.50mm

Value Proposition

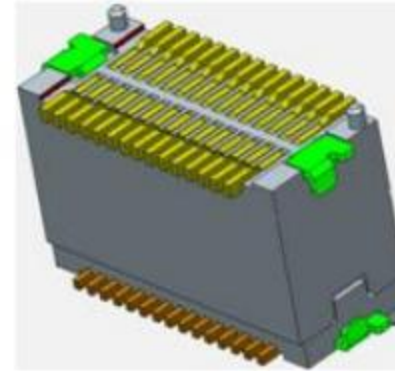
- BergStak[®] 0.50mm is a comprehensive and versatile solution designed for high-density application able to cover all the needs.
- The BergStak[®] 0.50mm includes stack heights from 3 to 6mm in 0.50mm increments and positions from 10 to 60 in 10 position increments.
- The unique design of BergStak[®] 0.50mm solution ensure terminals are not damaged during the mating thanks to Scoop-proof housings and makes this solution suitable for High density and parallel board stacking applications to satisfy all customer needs.

BergStak® 0.50mm

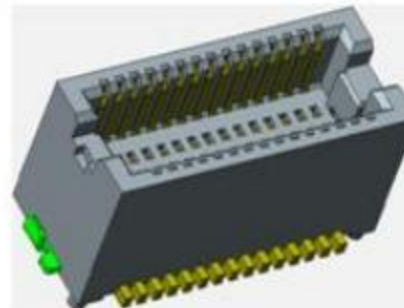
Product Overview



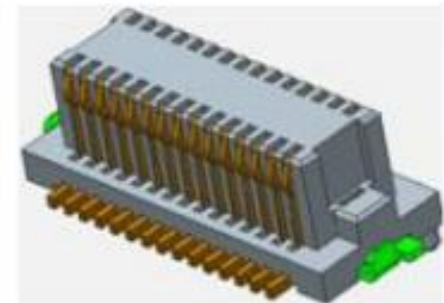
Intermating Overview



Plug Overview



Receptacle Overview



BergStak® 0.50mm

Product Specifications

Product Facts

- 10 to 60 position sizes in 10 increments
- 3mm to 6mm height in 0.50mm increments
- Vertical mating configuration
- 0.50mm double-row contact pitch
- Scoop-proof housings
- Multiple plating options available
- Multiple packaging options available
- RoHS compliant and lead-free
- PCB locator pegs option
- PCB Termination: SMT

Performance Characteristics

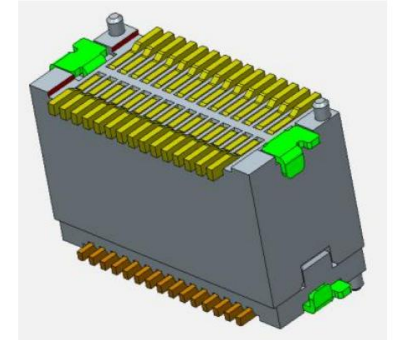
- Durability: 50 mating cycles
- Mating Force: 1.47N max./contact
- Retention Force: 0.15N max./contact
- High Temperature Life: 85c+/-5c for 96 hours
- Humidity: 90-95% relative Humidity for 96 hours
- Insulation Resistance: 500MΩ min.
- Current Rating: 0.3A/contact
- Voltage Rating: 50VAC
- Low-level Contact Resistance: 50mΩ max.

Specifications

- Product Specification: GS-12-1298
- UL Pending

Performance Characteristics

- Housing: Thermoplastic UL94V-0
- Terminal: Copper Alloy
- Hold Down: Copper Alloy



BergStak® 0.50mm

Features & Benefits

| Features | Benefits |
|---|---|
| <ul style="list-style-type: none">▪ 10 to 60 position sizes in 10 position increments▪ 3mm to 6mm stack heights in 0.50mm increments | <ul style="list-style-type: none">▪ Wide range of sizes and stack heights to support different applications |
| <ul style="list-style-type: none">▪ Vertical mating configuration | <ul style="list-style-type: none">▪ Suitable for parallel board stacking applications |
| <ul style="list-style-type: none">▪ 0.50mm double-row contact pitch conserves printed circuit board space | <ul style="list-style-type: none">▪ High density application |
| <ul style="list-style-type: none">▪ Scoop-proof housings | <ul style="list-style-type: none">▪ Ensure terminals are not damaged during mating |
| <ul style="list-style-type: none">▪ Available in UL94 V-0 flammability rated LCP | <ul style="list-style-type: none">▪ High flammability rating |
| <ul style="list-style-type: none">▪ PCB locator pegs option | <ul style="list-style-type: none">▪ Enables easy manual assembly |
| <ul style="list-style-type: none">▪ Metal hold down option | <ul style="list-style-type: none">▪ Ensures more retention force |
| <ul style="list-style-type: none">▪ RoHS compliant and lead-free | <ul style="list-style-type: none">▪ Meets environmental, health and safety requirements |

BergStak® 0.50mm

Part Numbers

| Description | Part Number |
|--|-------------------|
| 10 positions, 2.3mm height plug connector | 10132797-011100LF |
| 10 positions, 4.3mm height plug connector | 10132797-015100LF |
| 20 positions, 2.3mm height plug connector | 10132797-021100LF |
| 20 positions, 4.3mm height plug connector | 10132797-025100LF |
| 30 positions, 2.3mm height plug connector | 10132797-031100LF |
| 30 positions, 4.3mm height plug connector | 10132797-035100LF |
| 10 positions, 2.15mm height receptacle connector | 10132798-011100LF |
| 10 positions, 2.7mm height receptacle connector | 10132798-012100LF |
| 20 positions, 2.15mm height receptacle connector | 10132798-021100LF |
| 20 positions, 2.7mm height receptacle connector | 10132798-022100LF |
| 30 positions 2.15mm height receptacle connector | 10132798-031100LF |
| 30 positions, 2.7mm height receptacle connector | 10132798-032100LF |

BergStak® 0.50mm

Main Markets & Applications

- Consumer
 - Digital Video Camera

- Industrial & Instrumentation
 - Point of Sales Equipment
 - Mobile Payment Device
 - Surveillance Camera
 - Portable Industrial Terminal
 - Test Equipment
 - Measurement Equipment

- Medical
 - Medical Device



BergStak® 0.50mm

Collaterals

- Available on Amphenol FCI website:
 - Technical Datasheet

BERGSTAK® 0.5MM MEZZANINE CONNECTOR

Expanded product range

Amphenol FCI

RELIABLE SOLUTION FOR HIGH DENSITY APPLICATIONS

AFCI's Bergstak® 0.5mm is a comprehensive and versatile board to board solution designed for reliable and high-density applications. The unique design of Scoop-proof housings ensures terminals are not damaged during the mating.

- 0.5 mm double row contact for high density connector
- Scoop-proof housing ensures terminals are not damaged during the mating
- PCB locator Pegs option helps to ease manual assembly



TARGET MARKETS



FEATURES

- 0.5mm double row contact
- Scoop-proof housings
- Metal hold-down option
- Locating pegs option
- 3mm to 6mm stack heights in 0.5mm increments, 10 to 60 positions in 10 position increments
- Available in UL94 V0
- RoHS compliant and lead-free

BENEFITS

- High density connector
- Ensures terminals are not damaged during mating
- Higher retention force
- Eases manual assembly
- Wide range of sizes and stack heights supports different applications
- High flammability rating
- Meets environmental, health and safety requirements



THANK YOU

Amphenol
FCi