

## Cross-Mate™ 2.00mm Wire-to-Board Connector System

### MODULAR, RELIABLE, AND COMPACT SOLUTION

The Cross-Mate™ series is a wire-to-board system that offers compact design and active latching for applications requiring good mating retention.

The particular cross section of the mating area guarantees a reliable 4 point contact interface with an improved current rating from 2A to 4A per contact.

The Terminal-Position-Assurance (TPA) guarantee that the contact is properly mounted into the cable housing eliminating functional problem due to wrong connector assembly.

The Cross-Mate™ series is available in 2 to 12 positions per row with horizontal configurations.

- Active latch
- 4 point contacts
- Terminal-Position-Assurance (TPA)



#### TARGET MARKETS



#### FEATURES

- Active latch
- Current rating from 2A to 4A per contact
- Terminal-Position-Assurance (TPA)
- Cross mating interface : 4 points of contact
- Touch-proof featured
- Multiple header configurations (vertical and right angle)

#### BENEFITS

- Reliable connection with board connectors with strong retention
- Meets higher power Amps performance
- Eliminate mistake of wrong contact assembly into cable housing
- High reliability even in harsh environments
- Protect operator from touching powered contact
- Flexibility in application and design

## TECHNICAL INFORMATION

### MATERIAL

- Board Connector: Copper alloy with optional tin and gold plating
- Housing: High temperature thermoplastic, black, UL 94V-0
- Crimping Terminal: Copper alloy with optional tin and gold plating

### ELECTRICAL PERFORMANCE

- Voltage Rating: 100V AC/DC
- Insulation Resistance: 1000MΩ min.
- Contact Resistance: 10mΩ max. (initial)
- Current Rating: From 2A to 4A per contact

### MECHANICAL PERFORMANCE

- Durability: 10 cycles
- Mating Force: Refer to product spec
- Un-mating Force: Refer to product spec

### ENVIRONMENTAL

- Operating Temperature Range: -25°C to +85°

### SPECIFICATIONS

- Product Specification: GS-12-1536
- Application Specification: GS-20-0625
- Packaging Specification: GS-14-2702

### PACKAGING

- PCB Header: Tape and reel
- Receptacle Housing: Bag
- Crimping Terminal: Reel

### TARGET MARKETS/APPLICATIONS



Steering  
Infotainment  
Comfort (Electrical Seat, Internal Lighting)  
Head Light  
HUD (Heads Up Display) Modules



Home Automation  
IoT Devices

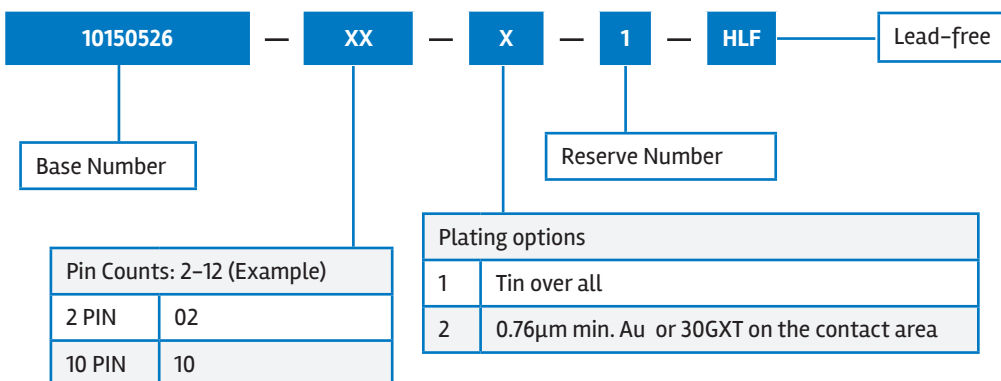


Power Tool  
Programmable Logic Controller (PLC)

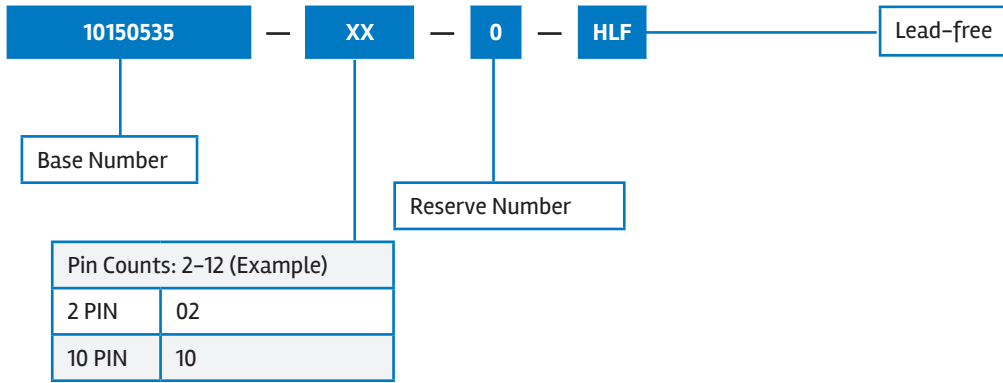


Portable devices

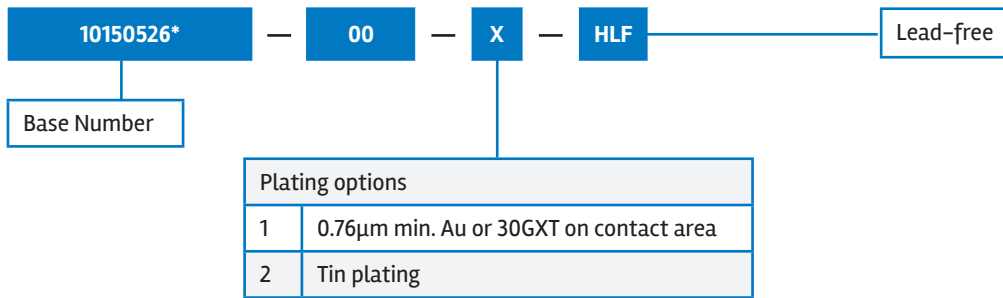
## PART NUMBER SELECTOR – R/A\_SMT HEADER



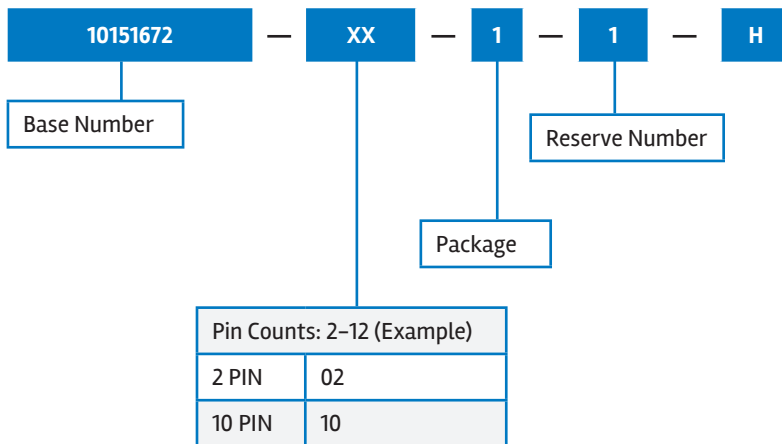
## PART NUMBER SELECTOR – CABLE CONNECTOR



## PART NUMBER SELECTOR – TERMINAL



## PART NUMBER SELECTOR – TPA



## HAND TOOL

Part Number: 10156148-001LF

Application Specification: GS-20-0625