

## SFV Series

### 0.5MM PITCH ZIF RIGHT ANGLE FFC-FPC CONNECTOR

FFC-FPC connectors with Zero Insertion Force (ZIF), which allows for easy cable insertion (cable is pre-held by the slider) for a reliable connection. Top or Bottom contact types. These connectors feature a height of 1.80mm and are offered in 4 to 35 contacts. Standard gold plating. Optional cable lock feature to prevent un-intentional cable release. SFV series connectors have a proven track record in automotive, data, industrial, telecommunications, consumer and medical application equipment.

- Easy to operate and strong FFC/FPC retention makes it vibration-proof
- Optional cable lock function to prevent un-intentional cable release
- Ensures high solderability and high durability
- Operating temperature range of -55°C to +105°C

#### FEATURES

- ZIF (Zero Insertion Force) mechanism
- Traditional sliding actuator secures the cable
- Optional cable lock function for extra cable retention
- Design against solder and flux wicking
- High-temperature, dimensional stable thermoplastic housing
- 4 to 35 positions available
- Lead and halogen-free



#### TARGET MARKETS



#### BENEFITS

- Stress free mating provides highly mating cycle life
- Simple action and strong FFC/FPC retention ensures contact stability
- Prevents un-intentional cable release
- Ensures high solderability
- Covers general operating temperature range of -55°C to +105°C
- Supports many applications as a general-purpose product
- Meet environmental, healthy and safety requirement

## TECHNICAL INFORMATION

### MATERIAL

- Housing: Nylon / LCP, black color (UL94V-0)
- Standard Actuator: PPS, black color (UL94V-0)
- Cable Lock Actuator: PPS, gray color (UL94V-0)
- Contact: Phosphor bronze
- Tab: Phosphor bronze

### MECHANICAL PERFORMANCE

- FFC Retention Force: 0.39N/contact min. (Tin)
- FPC Retention Force: 0.25N/contact min. (Gold)
- Durability: 20 mating cycles

### ELECTRICAL PERFORMANCE

- Voltage Rating: 50V A.C./D.C.
- Current Rating: 0.5A A.C./D.C
- Contact Resistance: 30mΩ max.(initial value)
- Insulation Resistance: 100MΩ min.
- Dielectric Withstanding Voltage: No short or breakdown after 200V A.C., 1mA, 1min.

### ENVIRONMENTAL

- Operating Temperature Range: -55°C to +105°C

### APPROVALS & CERTIFICATION

- UL file number E66906
- RoHS compliant
- Halogen-free

### PACKAGING

- Tape & Reel

### SPECIFICATIONS

- Orientation: Right angle
- Cable Termination: ZIF with pre-hold
- Cable Type: FFC/FPC
- Board Termination: Surface mount
- Contact Location: Top and bottom options
- Height: 1.8mm
- Standard Plating: gold
- Optional cable lock
- Halogen-free
- Accommodated Cable Thickness: 0.3mm

### TARGET MARKETS/APPLICATIONS



Car Multimedia  
Car Navigation  
Dashboard  
Lighting



Gaming  
LCD & OLED Displays



Base Station  
Switches  
Controllers  
Storage

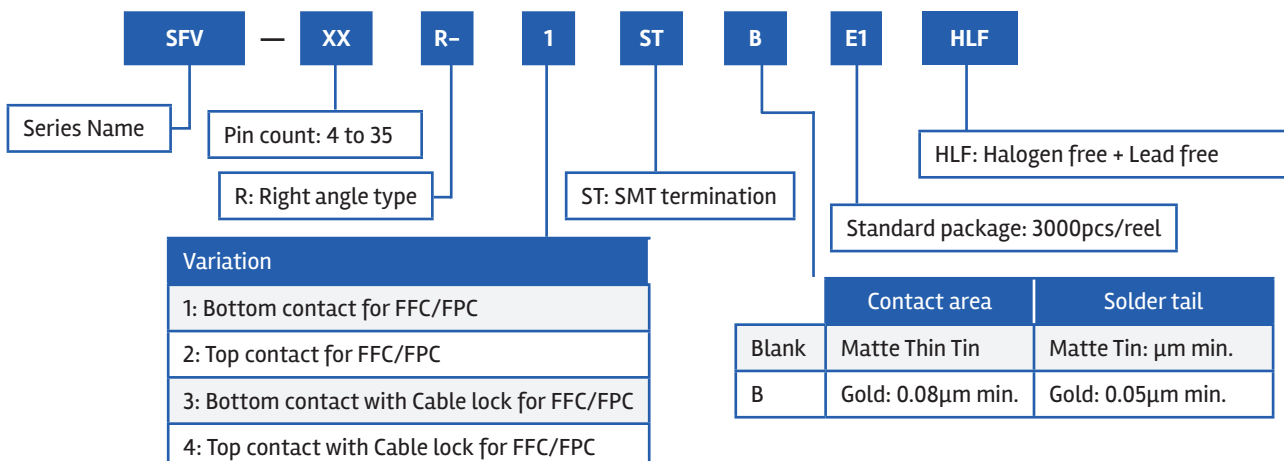


Controllers  
HMI  
Vending Machines  
PLC  
Drives



Ultrasonic  
Patient Monitor  
MRI  
CT  
Infusion Pump  
Hospital Bed

## PART NUMBER SELECTOR



BASICSFVR0422E4