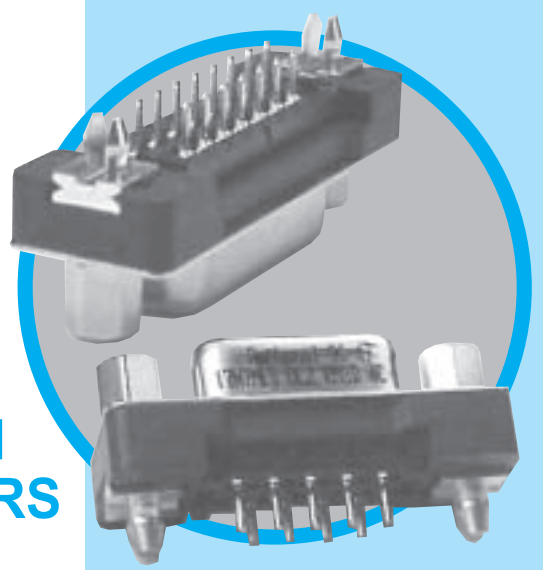


TS

D-Sub connectors - Stamped and Formed Contacts

STRAIGHT PCB TERMINATION ONE SHELL CONNECTORS



CHARACTERISTICS

Specifications

- Connectors according to MIL C24308
- **UL File:** E232356

| Materials and Platings | |
|------------------------|--------------------------------------|
| Shells | Steel, tin over nickel plating |
| Insulator | Glass-filled thermoplastic, UL 94V-0 |
| Contacts | Brass, with selective gold plating |
| Boardlock | Brass with nickel plating |
| Screwlock | Brass with nickel plating |

| Electrical Data | |
|------------------------------|----------------------------------|
| Current rating | 5A |
| Voltage rating | 600V AC/rms 50Hz |
| Withstanding voltage | 1000V AC/rms 50Hz for one minute |
| Insulation resistance | 5000MΩ |
| Contact resistance | 10mΩ max |

| Climatic Data | |
|------------------------------|-----------------|
| Operating temperature | -55°C to +125°C |

| Mechanical Data | | |
|--|---------------|--------------|
| Mating and unmating force | | |
| Unit: kg (lb) | | |
| No. of Cts | Mate (max) | Unmate (min) |
| 9 | 3.05 (6.74) | 0.36 (0.79) |
| 15 | 5.09 (11.24) | 0.46 (1.01) |
| 25 | 8.44 (18.66) | 0.81 (1.8) |
| 37 | 12.51 (27.65) | 1.1 (2.47) |
| Standard plating thicknesses | | |
| <ul style="list-style-type: none"> • gold flash • 0.4µm (15µ") gold • 0.76 µm (30µ") gold | | |

DESCRIPTION

The one shell D-sub Amphenol series features, stamped and formed contacts.

This series gives you Amphenol's high standards of quality and reliability to meet all of your commercial requirements

Economical
straight PCB,
one shell
connectors

APPLICATIONS

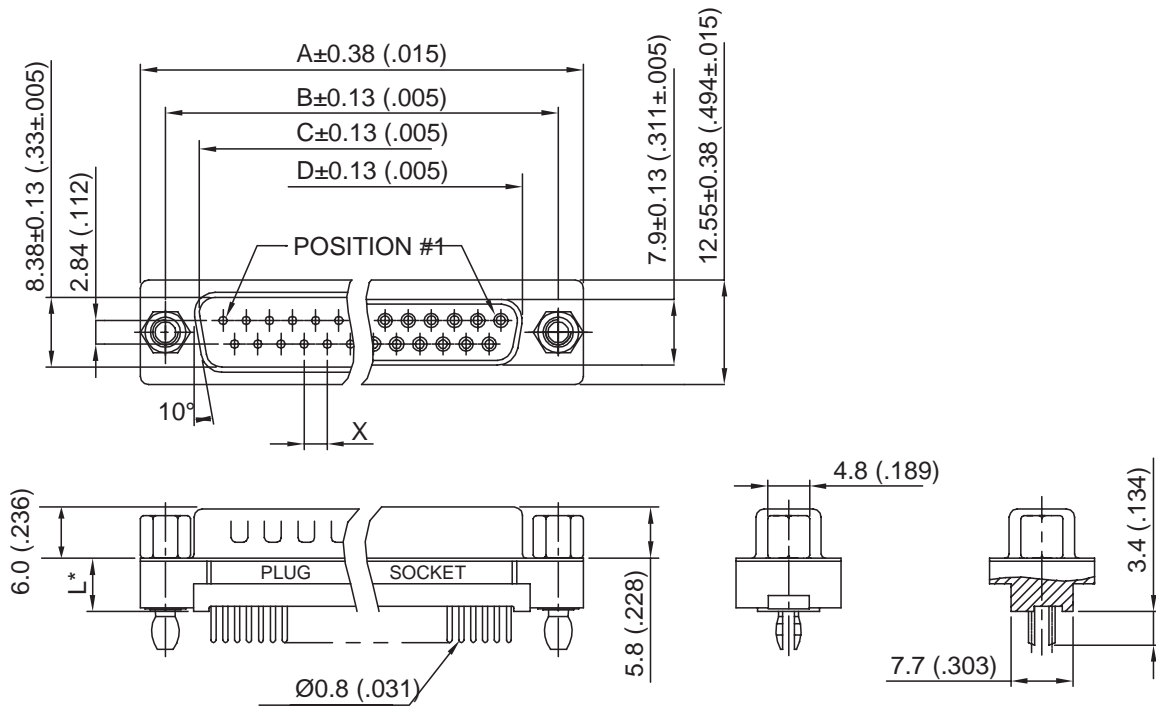
- Industrial
- Telecom
- Any industry standard I/O connections



Amphenol

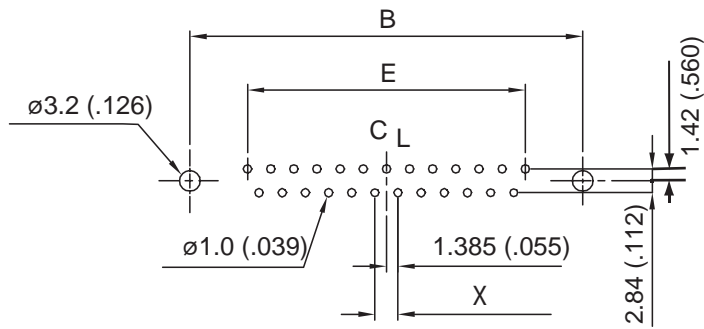
TS / E10

Shell Size Dimensions



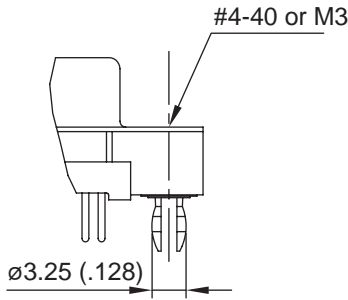
*see chart "how to order"

RECOMMENDED P.C.B. LAYOUT

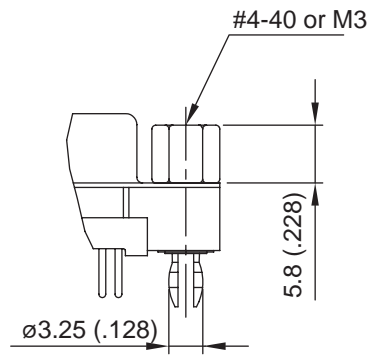


| Nb OF CONTACTS | DIMENSIONS mm (inch) | | | | | |
|----------------|----------------------|--------------|--------------|--------------|--------------|------|
| | A | B | C | D | E | X |
| 9 | 30.84 (1.21) | 24.99 (.984) | 16.92 (.666) | 16.26 (.640) | 11.08 (.436) | 2.77 |
| 15 | 39.24 (1.54) | 33.32 (1.31) | 25.25 (.994) | 24.56 (.967) | 19.39 (.763) | 2.77 |
| 25 | 53.04 (2.09) | 47.04 (1.85) | 38.96 (1.53) | 38.30 (1.51) | 33.24 (1.31) | 2.77 |
| 37 | 69.34 (2.73) | 63.50 (2.50) | 55.42 (2.18) | 54.76 (2.16) | 49.86 (1.96) | 2.77 |

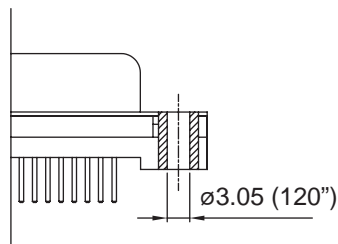
Panel mounting option



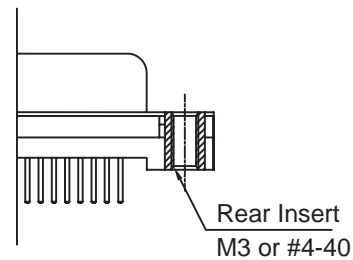
Boardlock with Threaded Insert
RM5



Boardlock with Front Screwlock
RM8



Clear Hole
Blank



Rear Insert Threaded
H or G

How to order

L ... TS C309

| | |
|---------------------------|---|
| RoHS Compliant | |
| gold flash | 77: tinned shell for receptacle 717: tinned shell + dimples for plug |
| 0.4 μ m (15 μ "") | 177: tinned shell for receptacle 777: tinned shell + dimples for plug |
| shell size | E, A, B, C |
| mounting options | Blank = Clear Hole G = M3 H = 4-40 H,G must also be used to specify the threading of RM5 or RM8 grounding tabs |
| configuration | 09, 15, 25, 37 |

plating option valid only for 0.76 μ m (30 μ "")

part numbers to be written as follow:

77.....C309
or
717.....C309

board mounting options

Blank = Clear Hole
RM5 = boardlock
RM8 = boardlock + front screwlock

termination

OL2 : L = 6.02mm (.237")
OL2C : L = 11.48mm (.452")

contact type

P = pin
S = socket

Example: L77 TS E H 09 S OL2 RM5
L717 TS E H 09 P OL2 RM8 C309

