

D-Subminiature High Power Series

***75A HIGH POWER CONTACTS WITH CRIMP, SOLDER BUCKET, AND PCB TERMINATIONS**

Amphenol's D-Subminiature connectors are part of an industry standard for applications requiring robust and reliable connectors. These proven D-Subminiature connectors are one of the most popular Input/Output interconnects, addressing a wide variety of applications in Telecommunications, Data, Consumer, Industrial, Military, Instrumentation, and Medical.

Our high power D-Sub connectors with *75A current rating is available in cable (Solder/Crimp) and board versions.

Note: * Denotes that the connectors confirm to UL1977 spec (T-Rise at rated current below RTI value of housing material).



TARGET MARKETS



FEATURES






- Various layout 2V2 to 8W8
- Available in Solder Bucket, Crimp and Right Angled versions
- Various PCB mounting accessories
- Lead-free and RoHS compliant

BENEFITS

- Product range to meet customer requisites
- To support cable and PCB mounting requirements
- Wide variety of choices for secure connections
- Meets environmental, health, and safety requirements

GENERAL CHARACTERISTICS

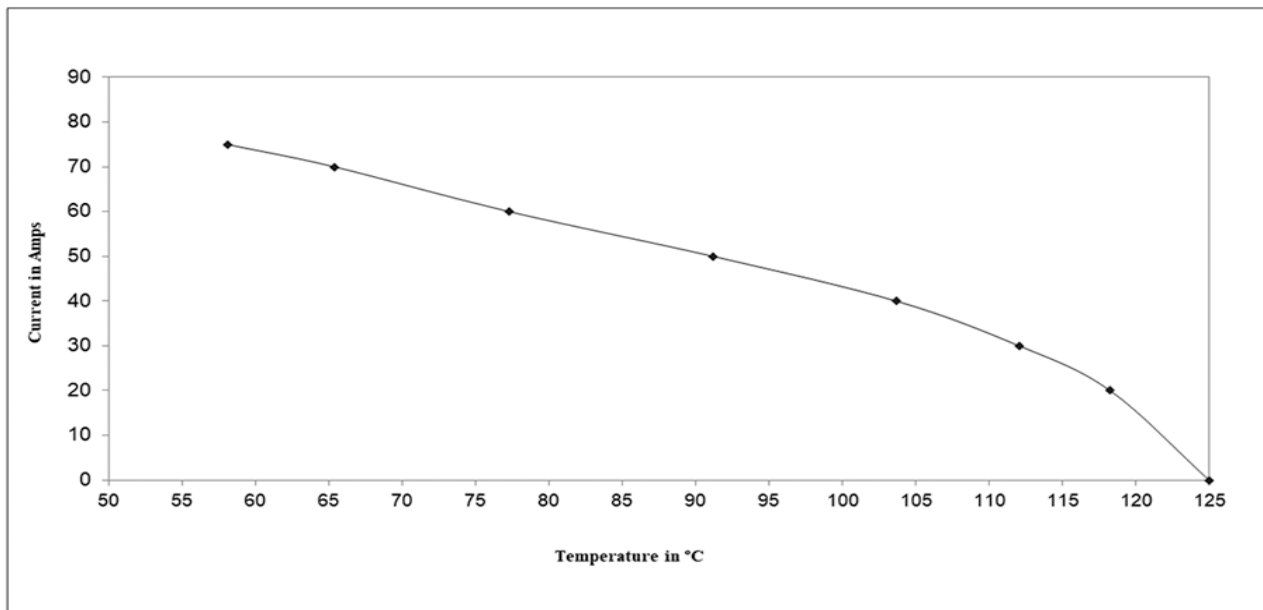
Male Connector Layout

Shell Size		Layout
E	2V2	
A	3W3	
	3V3	
B	5W5	
C	8W8	

● Power Contacts

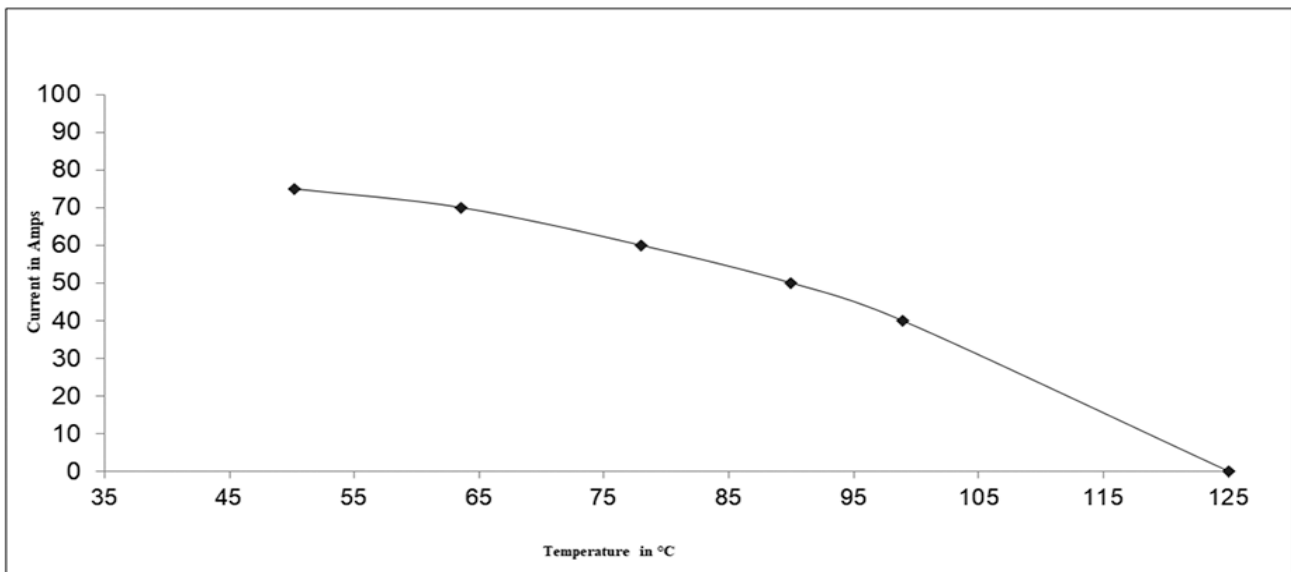
DERATING CURVES

DERATING CURVE ON Connector DC8W8S500A9KLF



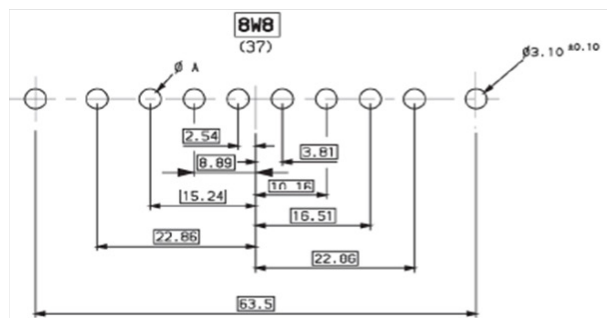
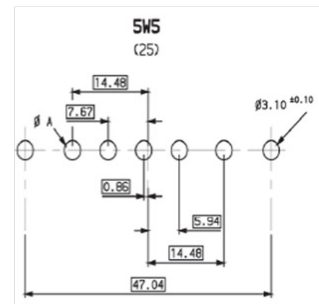
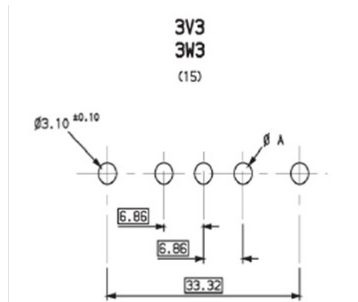
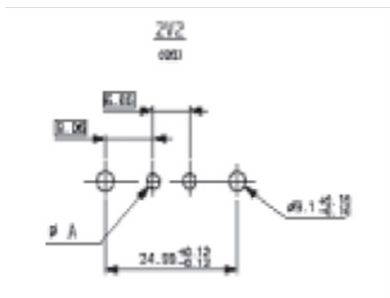
► D-Subminiature High Power Series

DERATING CURVE ON Connector DC8W8SA009KLF with Crimp Contact 8638PSC7506LF



DERATING CURVES

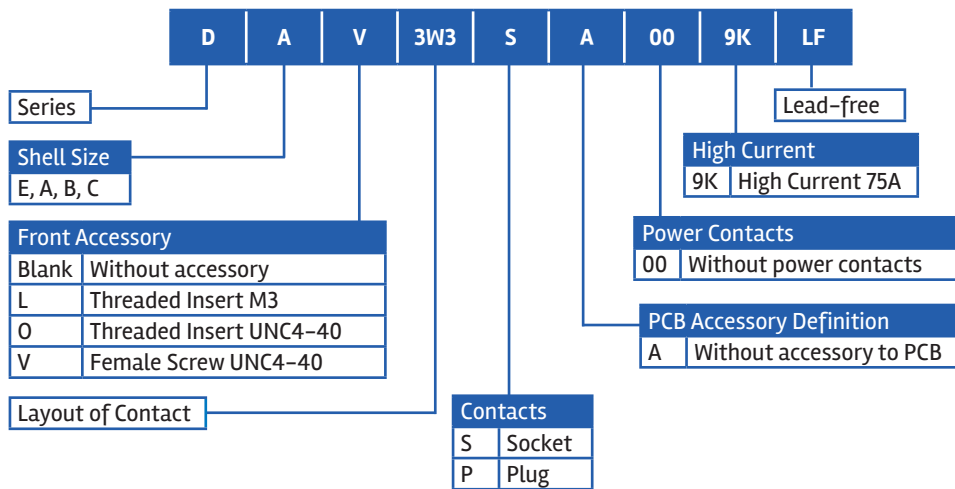
2V2,3V3,3W3,5W5,8W8 to be added



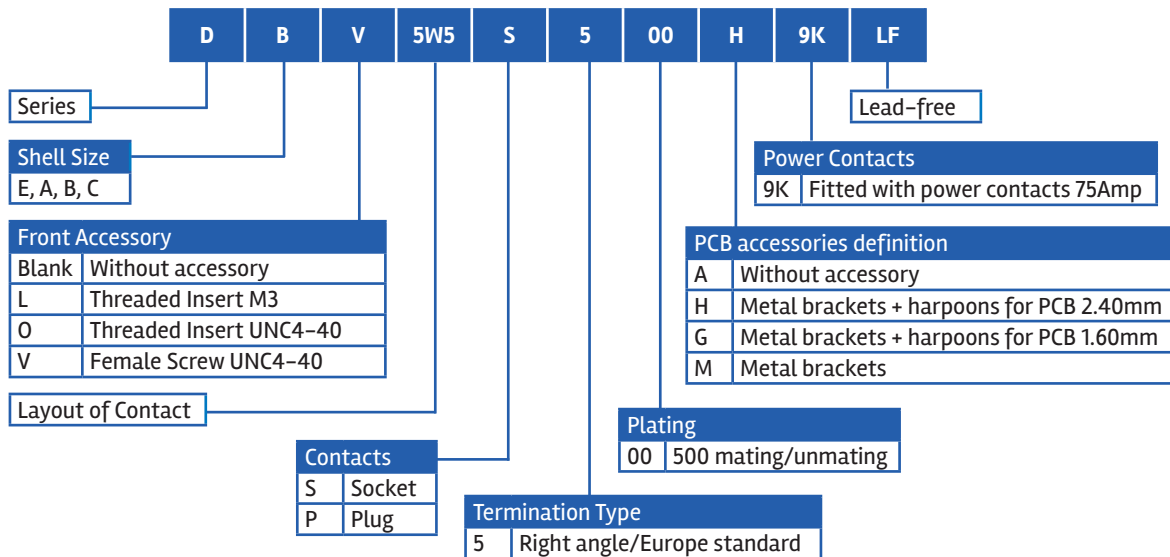
► D-Subminiature High Power Series

PART NUMBER SELECTOR

High Power-Cable Connector-Nomenclature



High Power-RA PCB Connector



PART NUMBERS

Description	Part Numbers
High Power, 3W3, Male cable connector	DA3W3PA009KLF
High Power, 3W3, Female cable connector	DA3W3SA009KLF
High Power, 5W5, Male cable connector	DB5W5PA009KLF
High Power, 5W5, Female cable connector	DB5W5SA009KLF
High Power, 3W3, Male R/A Board connector	DAV3W3P500H9KLF
High Power, 3W3, Female R/A Board connector	DAV3W3S500H9KLF
High Power, 5W5, Male R/A Board connector	DBV5W5P500H9KLF
High Power, 5W5, Female R/A Board connector	DBV5W5S500H9KLF
Female Power Contact, 75A*, Crimp Type	8638PSC7506LF
Male Power Contact, 75A*, Crimp Type	8638PPC7506LF
Female Power Contact, 75A*, Solder Bucket	8638PSS7506LF
Male Power Contact, 75A*, Solder Bucket	8638PPS7506LF