

NUMBER <b>GS-20-099</b>	TYPE <b>APPLICATION MANUAL</b>	<b>FCI</b>	
TITLE <b>Manual for 0.5mm Contact Spacing Connector (62674 Series)</b>		PAGE 1 of 4	REVISION A
		AUTHORIZED BY H.takakura	DATE 10/19/07
CLASSIFICATION <b>UNRESTRICTED</b>			

**1.0 SCOPE**

This APPLICATION MANUAL summarizes the important and necessary points for using the 0.5mm contact spacing connector "62674series".

Before this connector is used, please be sure to look through this APPLICATION MANUAL.

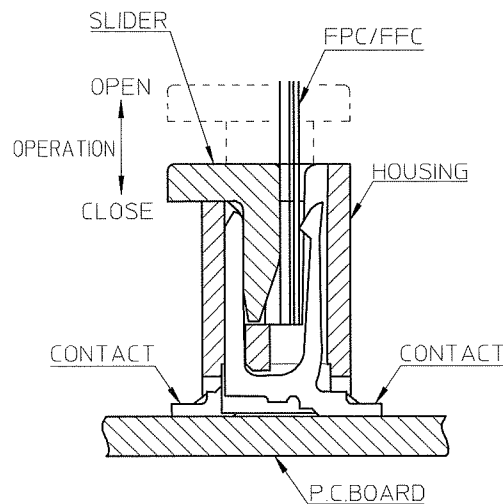
**2.0 APPLICATION PRODUCT**

Product No. : 62674-\_\_\_\_\_


**3.0 BASIC OPERATION PROCEDURES OF CONNECTOR**

The cable connections after soldered the connector on P.C.Board shall be done by the following procedures. Pulling a cable forcibly in the condition of the slider being locked must be avoided.

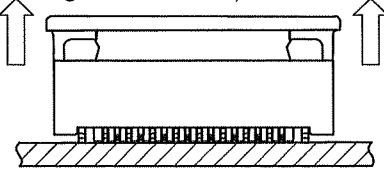
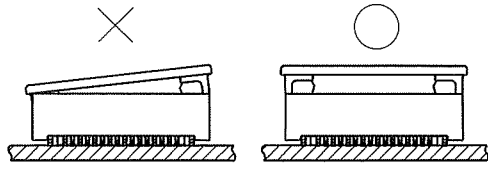
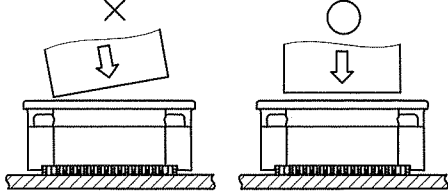
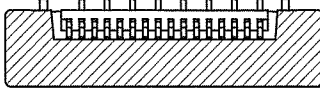
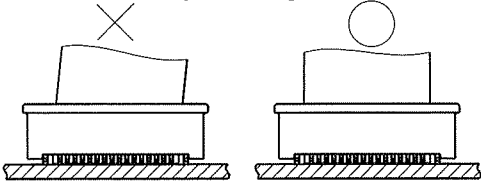
Works	No.	Operating Procedure
Connecting of a cable	4-1-1	Provide open status by pulling the slider
	4-1-2	Match connecting side of a cable to connecting side of connector
	4-1-3	Fix temporarily by inserting a cable into card slot
	4-1-4	Provide lock status by pressing the slider into
Removing of a cable	4-2-1	provide open status by pulling the slider
	4-2-2	Extract a cable straightly




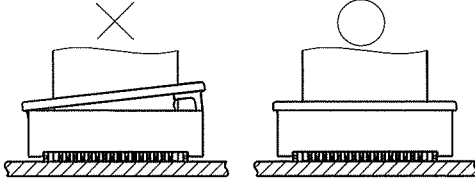
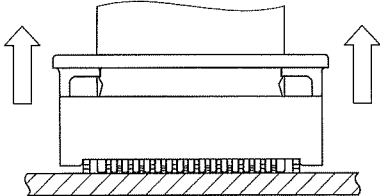
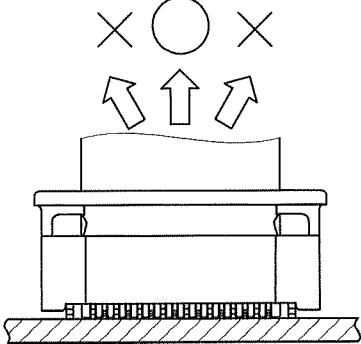
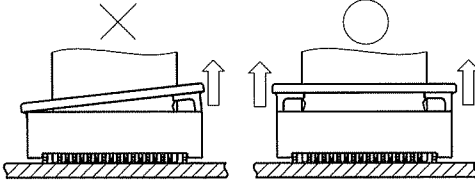
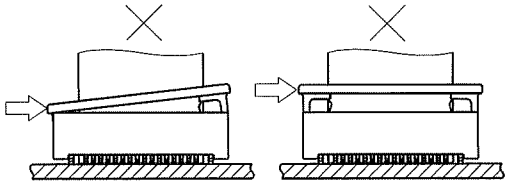
CROSS SECTION OF MATED CONDITION


NUMBER <b>GS-20-099</b>	TYPE <b>APPLICATION MANUAL</b>		
TITLE <b>Manual for 0.5mm Contact Spacing Connector (62674 Series)</b>		PAGE 2 of 4	REVISION A
		AUTHORIZED BY H.takakura	DATE 10/19/07
		CLASSIFICATION <b>UNRESTRICTED</b>	

#### 4.0 DETAIL HANDLING PROCEDURE AND REMARKS

No.	Procedure	Remarks
4-1	<p><b><u>Connection of a cable</u></b></p> <p>1) Provide open status by operating the slider. In this case, operate both ends of the slider by all means. (Slider is locked at the condition of being lifted 1.3mm.)</p>  <p>2) Conductive side of a cable is matched to connecting side of conductor.</p> <p>3) Insert a cable from the inserting window of connector parallel until it hits inner bottom of the housing.</p> <p>4) After confirming that a cable is inserted correctly, lock slider. In this case, confirm that both ends are locked securely by operating both ends of the slider.</p>	<p>1) When providing open status by operating the slider, operate the both ends parallel until the slider stops completely.</p>  <p>Do not apply excess force after the slider stops at the latch part. Excessive operation may cause break of the slider.</p> <p>2) Insert a cable parallel when inserting a cable</p>  <p>3) It can be preferable to push whole area of the slider</p>  <p>4) Make a cable vertically against the slider by all means at the condition of being the slider locked by inserting a cable.</p> 

NUMBER <b>GS-20-099</b>	TYPE <b>APPLICATION MANUAL</b>		
TITLE <b>Manual for 0.5mm Contact Spacing Connector (62674 Series)</b>		PAGE 3 of 4	REVISION A
		AUTHORIZED BY H.takakura	DATE 10/19/07
CLASSIFICATION <b>UNRESTRICTED</b>			

No.	Procedure	Remarks
4-1		<p>5) At the condition of being the slider locked, adjust so as not to have any gap at connecting portion of slider and main body.</p>  <p>Do not apply excess force on a cable and connector at the condition of being a cable mated.</p>
4-2	<p><b>Removing of a cable</b></p> <p>1) Provide open status by operating the slider. In this case, operate both ends of the slider by all means. (The slider is locked at the condition of being lifted 1.3mm.)</p>  <p>2) Extract a cable straightly.</p> 	<p>1) Pull the slider horizontally by the operation method of pulling both ends of the slider parallell. Excessive operation may cause break of the slider.</p>  <p>Do not push the side of the slider operating.</p>  <p>2) Remove a cable after the slider is opened completely.</p>

NUMBER <b>GS-20-099</b>	TYPE <b>APPLICATION MANUAL</b>		
TITLE <b>Manual for 0.5mm Contact Spacing Connector (62674 Series)</b>		PAGE 4 of 4	REVISION A
		AUTHORIZED BY H.takakura	DATE 10/19/07
CLASSIFICATION <b>UNRESTRICTED</b>			

**5.0 OTHER REMARKS**

- 1) Do not insert any things other than a cable and probe directly into contact point of the connector.
  
- 2) Do not perform any soldering process, when a cable is mated.

**REVISION RECORD**

<b>REV</b>	<b>PAGE</b>	<b>DISCRIPTION</b>	<b>ECN NO</b>	<b>DATE</b>
A	ALL	New release	J07-0519	10/19/07