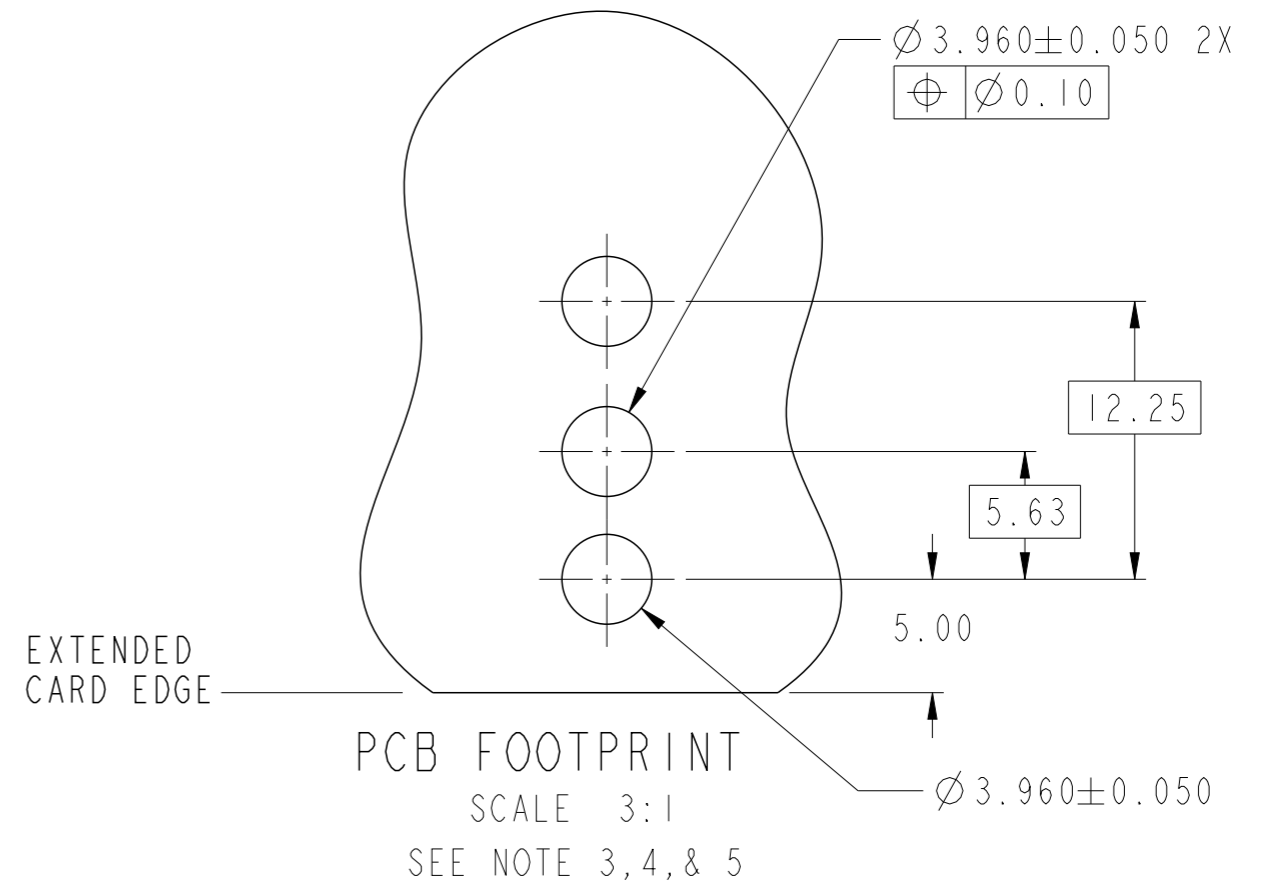


spec ref		dr		Chen-Hong Tan		2005/08/18		projection		mm		size		A3		scale		2:1			
tolerance std		ASME Y14.5		eng		Terry Luo		2019/04/24				ecn no		ELX-DG-33324-1		rel level		Released			
-		TOLERANCES UNLESS OTHERWISE SPECIFIED		chr		-		-				product family		HG. SPD. BACKPANEL		-		-		-	
surface		3.2		appr		Heaven Cen		2019/04/25				10.8mm R/A GUIDE PIN 4/5 PAIR		cat. no.		-		Product - Customer Drw		sheet 1 of 2	
		linear		0.X		±0.3				dwg no		10044366		rev		D					
				0.XX		±0.10															
				0.XXX		±0.050															
		angular		0°		±2°															

PART NUMBER	DIM A°
10044366-101LF	0°
10044366-102LF	45°
10044366-103LF	90°
10044366-104LF	135°
10044366-105LF	180°
10044366-106LF	225°
10044366-107LF	270°
10044366-108LF	315°

NOTES:

- ① MATERIAL: ZINC ALLOY.
- ② FINISH: ZINC YELLOW CHROMATE.
- ③ PRELIMINARY APPLICATION SPECIFICATION: GS-20-045.
- ④ REFER TO CUSTOMER DRAWING 10035911 FOR INFORMATION REGARDING PCB LAYOUT OF POWER AND GUIDE MODULES RELATIVE TO SIGNAL MODULES.
- ⑤ RIGHT ANGLE PIN MODULE HAS THE SAME PCB FOOTPRINT AS THE RIGHT ANGLE GUIDE SOCKET.
- 6 THIS PRODUCT MEETS EUROPEAN UNION DIRECTIVES AND OTHER COUNTRY REGULATIONS AS DESCRIBED IN GS-22-008.
- 7 PACKAGING MEETS GS-14-920 LEAD FREE LABELING SPECIFICATION.



spec ref		dr	Chen-Hong Tan	2005/08/18	projection	mm	size	A3	scale	1:1				
tolerance std		eng	Terry Luo	2019/04/24			ecn no		ELX-DG-33324-1					
ASME Y14.5		chr	-	-			rel level		Released					
-		appr	Heaven Cen	2019/04/25	product family			HG. SPD. BACKPANEL						
surface	3.2	linear	0.X	± 0.3	Amphenol FCI 10.8mm R/A GUIDE PIN 4/5 PAIR			dwg no		10044366	rev	D		
			0.XX	± 0.10				cat. no.		-		Product - Customer Drw		sheet 2 of 2
		angular	0°	$\pm 2^\circ$				PDS: Rev :D		STATUS:Released		Printed: Apr 25, 2019		