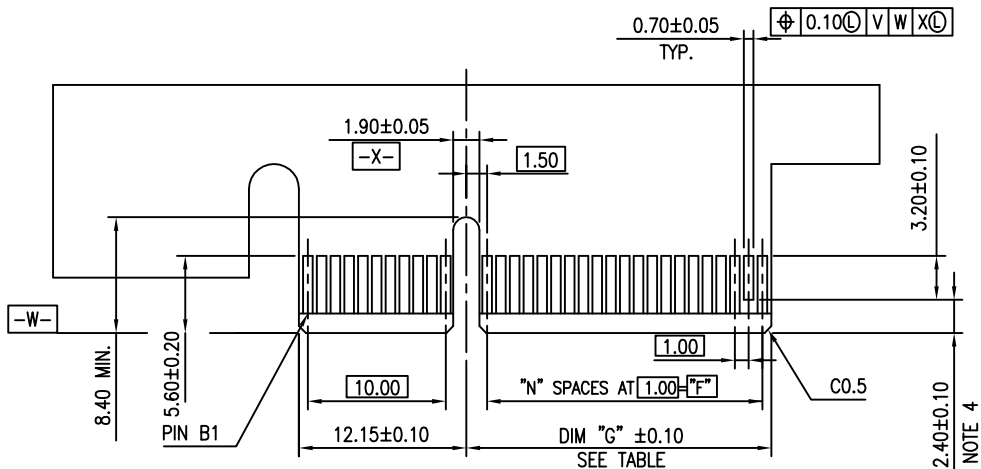


HOLD DOWN TYPE

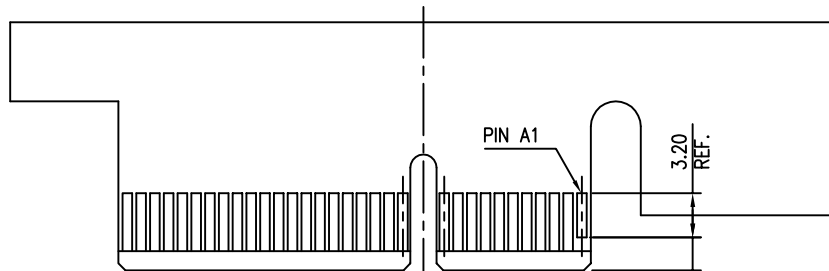
Amphenol FCI

© 2016 AFCI

mat'l. code			surface 58/ISO 1302		tolerance ISO 406 ISO 101		projection		product family PCI_EXPRESS		
-			✓		ISO 406 ISO 101		101		title		
ltr	ecn no	dr	date	tolerances unless otherwise specified			MM		PCI_EXPRESS_CARD_EDGE_GEN3 ASSEMBLY(SMT)		
L	ELX-DG-21161-1	ST	2015/05/27	angles linear	.X±.3		scale 1		dwg no sheet 1 of 6 size		
M	ELX-DG-24164	ZH	2016/06/01		.XX±.20						
N	ELX-DG-25671-1	ZH	2016/12/19		XXX±.10						
P	ELX-DG-27937	ZH	2017/09/12	dr	WINSTON_ZHU	2023-07-05	Amphenol FCI		10061913 A4		
R	ELX-DG-37597	ZH	2018/05/23	engr	WINSTON_ZHU	2023-07-05			CUSTOMER Drawing		
S	ELX-DG-48669	WZ	2023/07/05	chr	MARS_LONG	2023-07-05			type		
				appd	HEAVEN_CEN	2023-07-05					
sheet index		revision T									
		sheet									



I/O PANEL DIRECTION
PRIMARY (COMPONENT) SIDE



I/O PANEL DIRECTION
SECONDARY (SOLDER) SIDE

#	POS	REF.	N	DIM "G"	DIM "F"	"F"
36			6	8.15	6.00	B17
64			20	22.15	20.00	B31
98			37	39.15	37.00	B48
164			70	72.15	70.00	B81

PIN "F" SEE TABLE

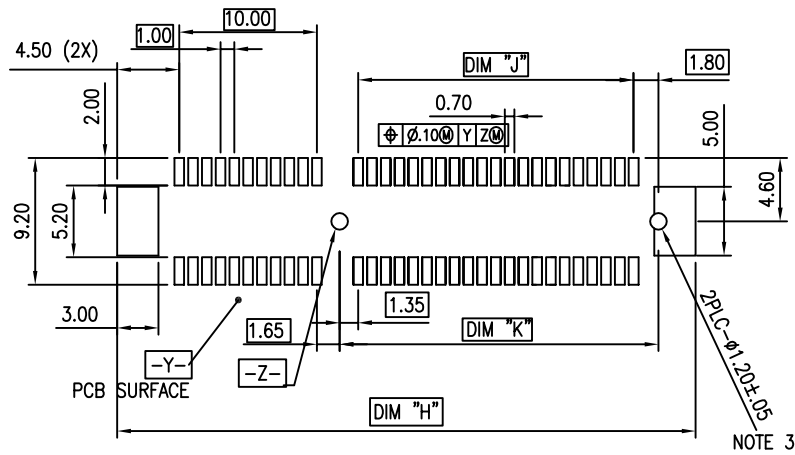
PIN "F" SEE TABLE

1.40 ± 0.20

20°±5°
NOTE 5
SCALE 2:1

ADD-IN CARD EDGE-FINGER DIMENSIONS

mat'l. code		surface 58/ISO 1302		tolerance ISO 406 ISO 101		projection		product family	
-		✓		ISO 406 ISO 101		101		PCI_EXPRESS	
ltr	ecn no	dr	date	tolerances unless otherwise specified				title	
				angles	linear	.X±.2	MM	PCI_EXPRESS_CARD_EDGE_GEN3 ASSEMBLY(SMT)	
				0°±2°		.XX±.13			
				dr	WINSTON_ZHU	2023-07-05	scale 2	dwg no sheet 2 of 6 size	
				engr	WINSTON_ZHU	2023-07-05		10061913 A4	
				chr	MARS_LONG	2023-07-05		type CUSTOMER Drawing	
				appd	HEAVEN_CEN	2023-07-05			
sheet index	revision	T							
	sheet								

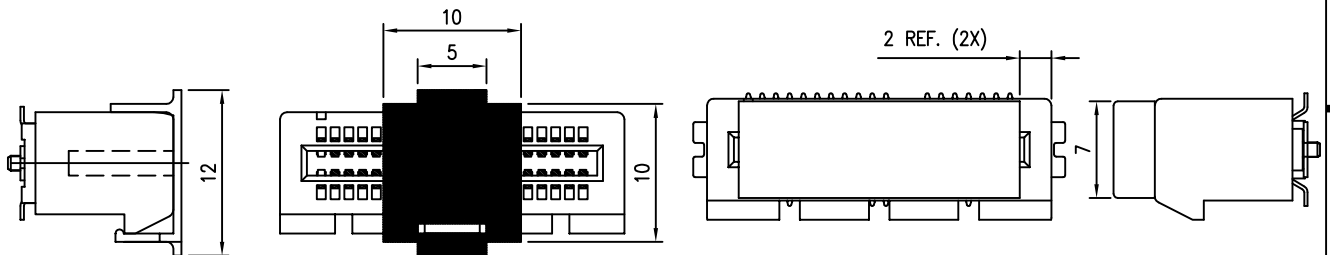


RECOMMENDED PCB LAYOUT, PAD TYPE

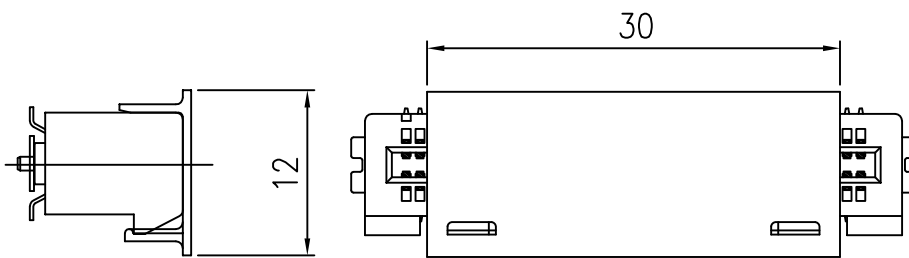
DIMENSIONS								
POSITION	A	B ± 0.15 -0.05	C ± 0.20	D ± 0.23	E ± 0.20	H ± 0.10	J	K ± 0.10
36	6.00	7.65	9.15	25.00	27.00	28.00	6.00	9.15
64	20.00	21.65	23.15	39.00	41.00	42.00	20.00	23.15
98	37.00	38.65	40.15	56.00	58.00	59.00	37.00	40.15
164	70.00	71.65	73.15	89.00	91.00	92.00	70.00	73.15

POSTION OF CAP

POSTION OF DUMMY CARD



POSTION OF CUSTOMIZED CAP(30X12)



mat'l. code		surface 58/ISO 1302		tolerance ISO 406 ISO 101		projection		product family	
-		✓		ISO 406 ISO 101		MM		PCI_EXPRESS	
ltr	ecn no	dr	date	tolerances unless otherwise specified				title	
				angles		linear		PCI_EXPRESS_CARD_EDGE_GEN3 ASSEMBLY(SMT)	
				.X±.2		MM			
				.XX±.13		scale 2			
				0°±2'					
		dr	WINSTON_ZHU	2023-07-05		Amphenol FCI		dwg no sheet 3 of 6 size	
		enr	ZHENHUA_LIU	2023-07-05				10061913 A4	
		chr	MARS_LONG	2023-07-05					
		appd	HEAVEN_CEN	2023-07-05					
sheet index	revision	T						type CUSTOMER Drawing	

NOTES:

1.MATERIAL:

HOUSING: NYLON, GLASS FILLED UL94V-0 RATE, SUITABLE FOR I.R SOLDERING.

TERMINAL: COPPER ALLOY

PLATING: 50u" NICKEL UNDERPLATE ALL OVER CONTACT AREA PLATING - SEE PRODUCT NUMBER CODE SOLDER TAIL: TIN 100u" OVER 50u" NICKEL

METAL PADS: COPPER ALLOY FINISH: 100u" TIN OVER 50u" NICKEL

2.PRODUCT SPECIFICATION: GS-12-390

③THE HORIZONTAL AXIS FOR THE PAD PATTERN IS ESTABLISHED BY

A LINE THROUGH THE CENTER OF THE TWO Ø1.0 HOLES.

THE VERTICAL AXIS IS 90° TO THE HORIZONTAL AXIS, THROUGH THE CENTER OF DATUM [-Z-]

④NO TIE BAR PERMITTED FROM CARD EDGE TO LEADING EDGE OF PAD FOR PINS A1.

⑤CHAMFER EDGES MUST BE FREE OF CUTTING BURRS.

6.RoHS COMPATIBLE PRODUCT SPECIFICATIONS

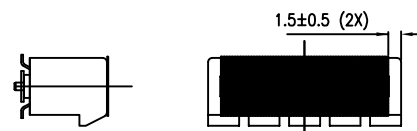
a - PLATING:

- "LF" MEANS THE PRODUCT IS LEAD-FREE

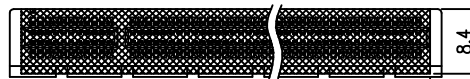
b - MANUFACTURING PROCESS COMPATIBILITY

- THE HOUSING WILL WITHSTAND EXPOSURE TO 260°C±5°C PEAK TEMPERATURE FOR 5 SECONDS IN A CONVECTION, INFRA-RED OR VAPOR PHASE REFLOW OVEN.

7.△SYMBOL WILL BE NEXT TO ANY DIMENSION, VIEW, OR NOTE WHICH HAS BEEN MODIFIED WITH CURRENT DRAWING REVISION.



POSITION OF MYLAR



FOR 8.40MM WIDTH MYLAR

1.50±0.5 (2X)

PRODUCT NUMBER CODE

10061913-X X X X L F

LEAD FREE

HOUSING COLOR OPTIONS

- 0-WHITE
- 1-BLACK

PACKAGING OPTIONS

- T-TRAY PACKAGING WITHOUT CAP
- C-TRAY PACKAGING WITH CAP
- N-TRAY PACKAGING WITH MYLAR
- G-TRAY PACKAGING WITH DUMMY CARD
- R-TAPE & REEL PACKAGING WITHOUT CAP OR MYLAR (FOR 36P & 64P & 98P OPTIONS ONLY)
- P-TAPE & REEL PACKAGING WITH CAP (FOR 36P & 64P & 98P OPTIONS ONLY)
- Q-TAPE & REEL PACKAGING WITH CAP (24MM PITCH FOR 98P ONLY)
- M-TAPE & REEL PACKAGING WITH MYLAR (FOR 36P & 64P OPTIONS ONLY)
- J-TAPE & REEL PACKAGING WITH MYLAR (24MM PITCH FOR 98P & 164P ONLY)
- A-44MM WIDTH TAPE&REEL PACKING WITH MYLAR(FOR 36P ONLY)
- Y-HARD TRAY(338x234)
- Z-HARD TRAY(338x234) WITH MYLAR △
- B-HARD TRAY(338x234) WITH CAP △
- U-HARD TRAY(338x234) WITH 8.40MM WIDTH MYLAR (FOR 164P ONLY)
- H-CUSTOMIZED HARD TRAY(330x235x19.3) WITH 30mm CUSTOMIZED CAP (FOR 98 & 164P OPTION ONLY)
- D-SMALLER HARD TRAY WITH CHAMFER AT LEFT-BOTTOM SIDE (323x136x19) WITH 30mm CAP (FOR 164P ONLY)
- F-SMALLER HARD TRAY WITH CHAMFER AT LEFT-BOTTOM SIDE (323x136x19) (FOR 164P ONLY)
- L-CUSTOMIZED HARD TRAY(298x185x19.3) WITH CAP (FOR 164P OPTION ONLY)
- S-CUSTOMIZED HARD TRAY(322.6x135.9x16.5) WITHOUT CAP OR MYLAR (FOR 36P& 98P OPTION)

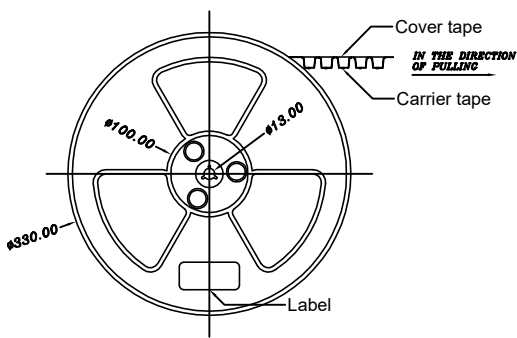
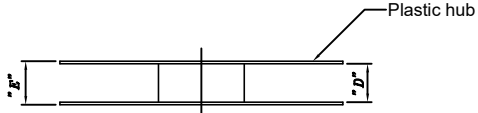
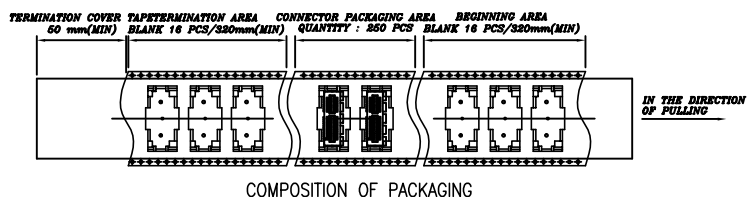
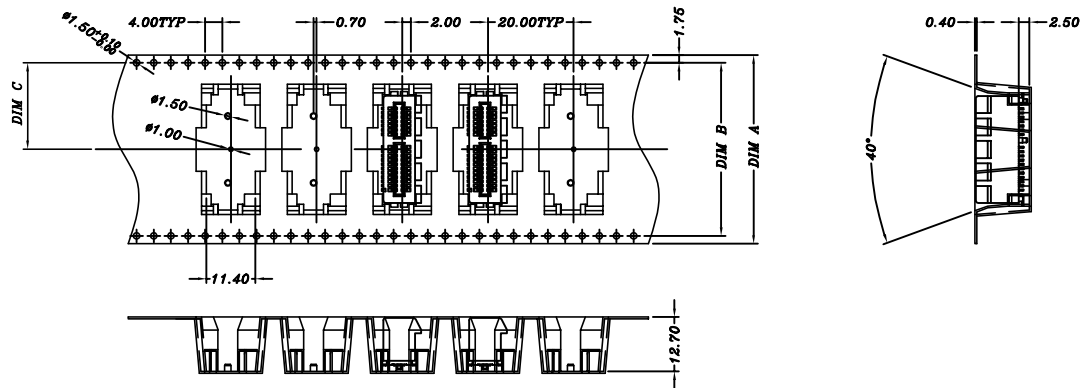
TERMINAL PLATING OPTIONS

- 0-50u" Ni UNDERPLATE 30u" Au CONTACT AREA 100u" TIN TAIL AREA ----- COMPATIBLE RoHS
- 1-50u" Ni UNDERPLATE 15u" Au CONTACT AREA 100u" TIN TAIL AREA ----- COMPATIBLE RoHS
- 2-50u" Ni UNDERPLATE GOLD FLASH CONTACT AREA 100u" TIN TAIL AREA ----- COMPATIBLE RoHS
- 3-50u" Ni UNDERPLATE 30u" Au CONTACT AREA GOLD FLASH TAIL AREA ----- COMPATIBLE RoHS

POS OPTIONS

- 0-36
- 1-64
- 2-98
- 3-164

mat'l. code		surface 58/ISO 1302 ✓		tolerance ISO 406 ISO 101		projection		product family PCI_EXPRESS			
ltr		ecn no		dr		date		title			
								PCI_EXPRESS_CARD_EDGE_GEN3 ASSEMBLY(SMT)			
				angles linear		.X±.2 .XX±.13 XXX±.05		MM			
				dr		WINSTON_ZHU 2023-07-05		scale 2			
				engr		WINSTON_ZHU 2023-07-05		dwg no sheet 4 of 6 size			
				chr		MARS_LONG 2023-07-05		10061913 A4			
				appd		HEAVEN_CEN 2023-07-05		type CUSTOMER Drawing			
sheet index		revision sheet		T							



TAPE AND REEL
 PACKING
 RECOMMENDED FOR
 36PINS ONLY

DIMENSIONS					
POSITIONS	A	B	C	D REF.	E REF.
36 (10061913-000ALF)	44.00	40.40	20.20	44.5	50.5
36	56.00	52.60	26.30	56.4	60.4
64	56.00	52.60	26.30	56.4	60.4
98	88.00	79.60	39.80	88.4	92.4

mat'l. code		surface 58/ISO 1302		tolerance ISO 406 ISO 101		projection		product family PCI_EXPRESS				
ltr	ecn no	dr	date	tolerances unless otherwise specified				MM	title			
				angles	linear		PCI_EXPRESS_CARD_EDGE_GEN3 ASSEMBLY(SMT)					
				0°±2'	XXX±.10		scale 1	dwg no		sheet 5 of 6	size	
				dr	WINSTON_ZHU	2023-07-05	Amphenol FCi	10061913		A4		
				engr	ZHENHUA_LIU	2023-07-05		type		CUSTOMER Drawing		
				chr	MARS_LONG	2023-07-05						
				app	HEAVEN_CEN	2023-07-05						
sheet index	revision	T										

1 For PCI EXPRESS SMT TYPE 36P ONLY.

2. Material :

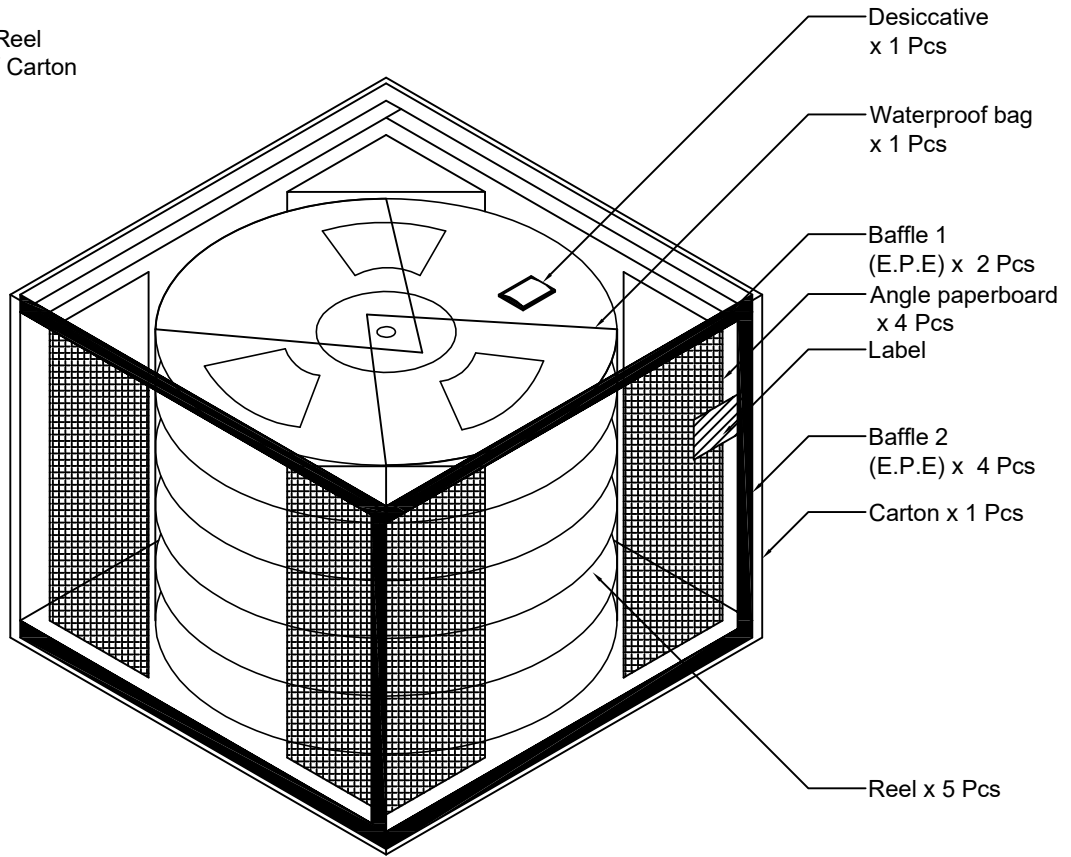
- 2.1 Reel :
 - 2.1.1 Plastic hub : High Impact Polystyrene
 - 2.1.2 Cover tape : PE
 - 2.1.3 Carrier tape : ABS
- 2.2 Waterproof bag : PE
- 2.3 Desiccative : Silica Gel
- 2.4 Carton : Corrugated paper
- 2.5 Baffle : E.P.E
- 2.6 Angle paperboard : Corrugated paper

3. Dimension :

- 3.1 Reel :
 - 3.1.1 Plastic hub : $\phi 330 \times T50.5$ mm
 - 3.1.2 Cover tape : 5690(L) x 37.4(W) mm
 - 3.1.3 Carrier tape : 5640(L) x 44(W)mm
- 3.2 Waterproof bag : 600(H) x 465(W) x 0.06(T) mm
- 3.3 Desiccative : 25 gram / Package
- 3.4 Carton : 380(L) x 380(W) x 300(H) mm
- 3.5 Baffle (1): 370(L) x 370(W) x 15(H) mm
- 3.6 Baffle (2): 355(L) x 252(W) x 15(H) mm
- 3.7 Angle paperboard : 252(H)

4. Quantity :

- 4.1 250 Pcs / Reel
- 4.2 1250 Pcs / Carton



Amphenol FCI

© 2016 AFCI

mat'l. code		surface 58/ISO 1302		tolerance ISO 406 ISO 101		projection		product family		
-		✓				101		PCI_EXPRESS		
ltr	ecn no	dr	date	tolerances unless otherwise specified				title		
				angles	linear		MM		PCI_EXPRESS_CARD_EDGE_GEN3 ASSEMBLY(SMT)	
				0°±2'			scale 1			
		dr	WINSTON_ZHU	2023-07-05			Amphenol FCI		sheet 6 of 6	
		enr	WINSTON_ZHU	2023-07-05					size	
		chr	MARS_LONG	2023-07-05					A4	
		app	HEAVEN_CEN	2023-07-05					10061913	
sheet index		revision	T							type
		sheet								CUSTOMER Drawing