

()

()

()

()

© 2016 AFCI

Amphenol FCI

10069525-AA B C D E G FF

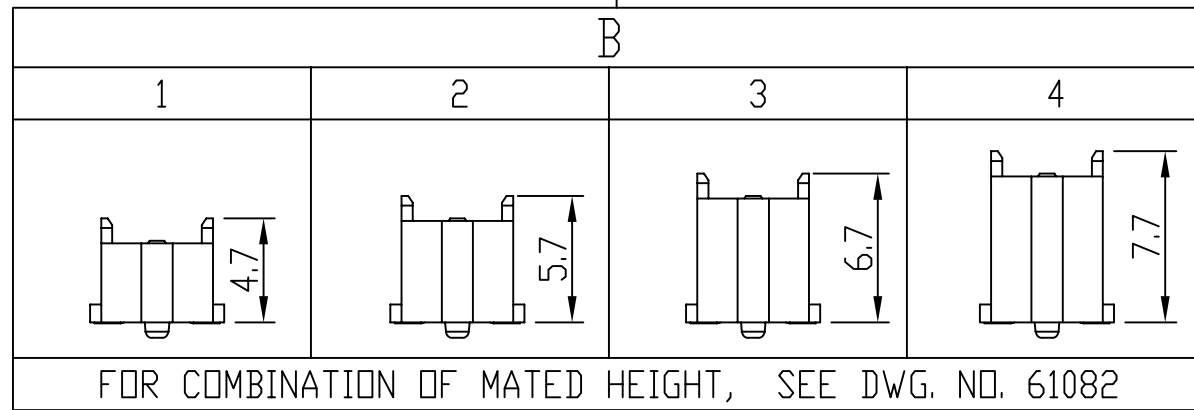
AA	NO. OF POSITIONS
04	2X20
06	2X30
08	2X40
10	2X50
12	2X60
14	2X70
16	2X80
18	2X90
20	2X100

D	PEG
0	YES
2	NO

G	MANDATORY CODE
/	STANDARD, NOT PRINT DATE CODE
P	PRINT DATE CODE
H	STANDARD, FOR DEDICATED CUSTOMER

E	PACKAGING
0	TUBE WITHOUT METAL CAP
2	T&R WITH METAL CAP
9	TUBE WITH METAL CAP

NOTE 10



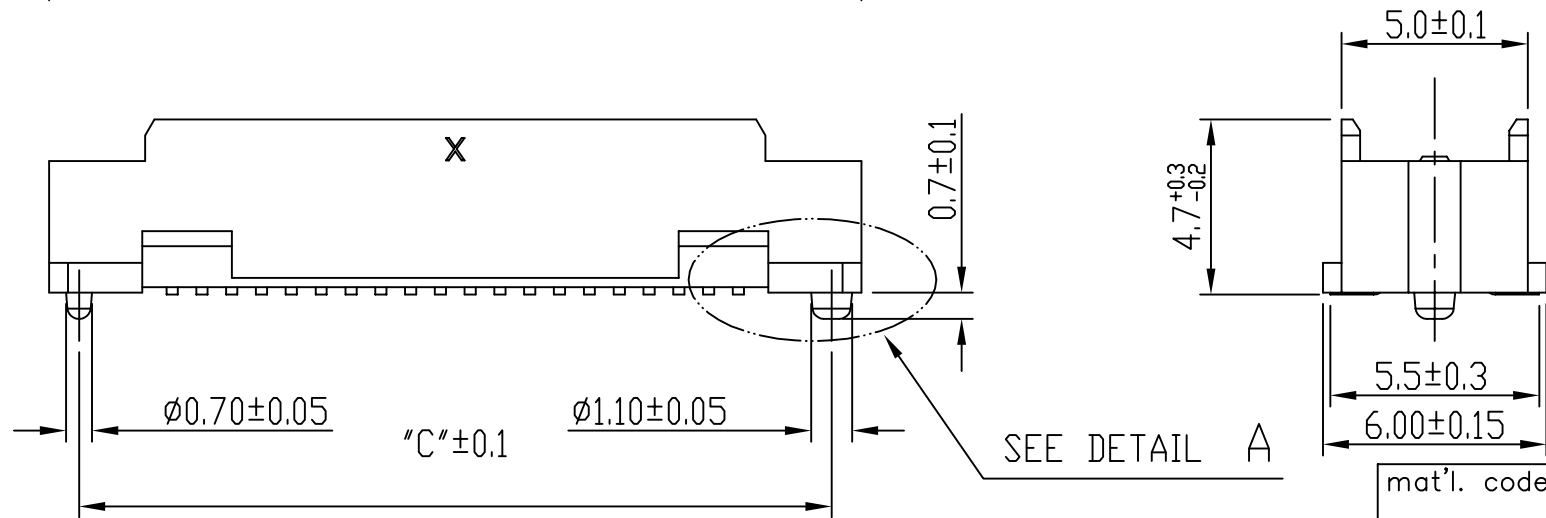
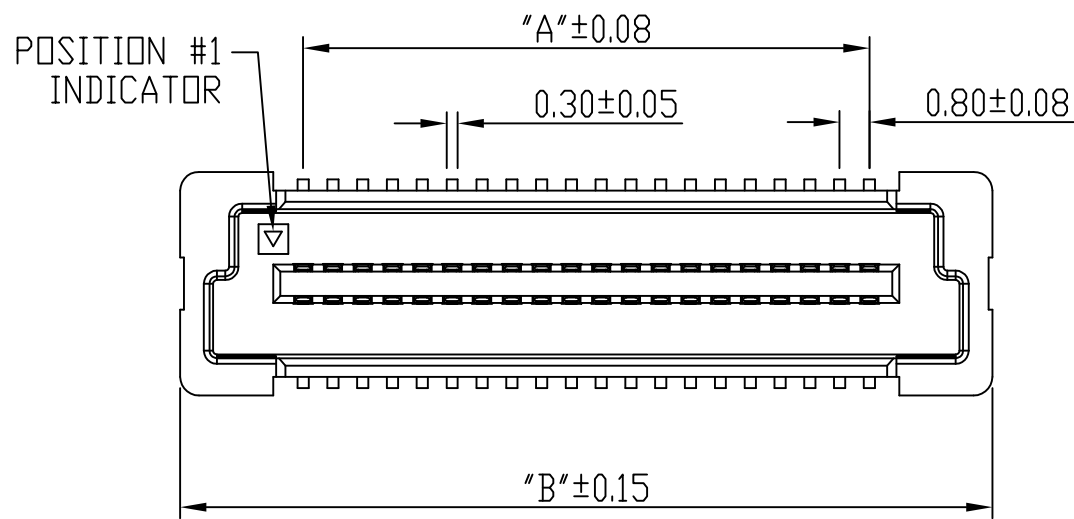
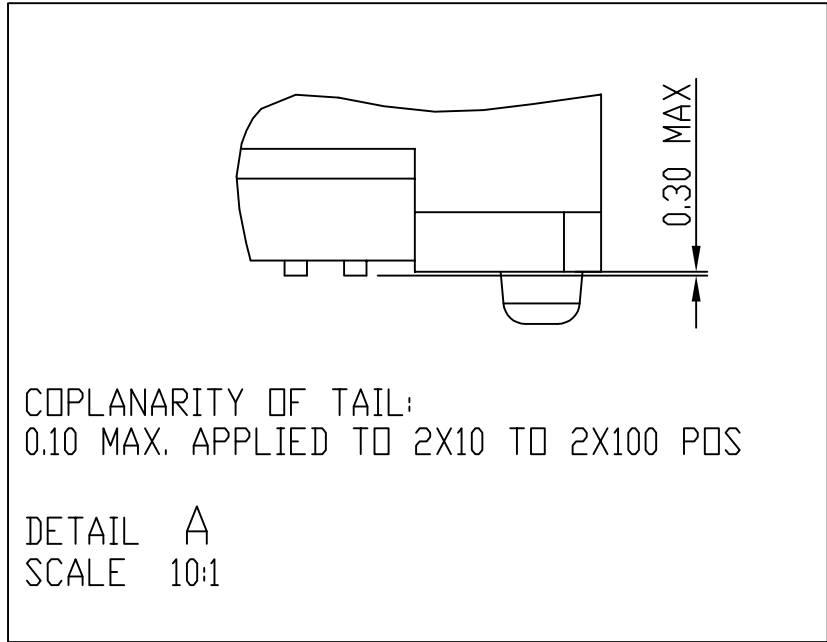
NOTE:

- MATERIAL:
HOUSING: G.F. LCP, NATURAL, UL94-V0
TERMINAL: BRASS
- PLATING: AS SHOWN IN TABLE.
- SEE GS-12-148 FOR PRODUCT SPEC.
- SEE GS-14-551 AND GS-14-816 FOR PACKING SPECIFICATION.
- PACKAGING OPTION 2: NOT ALL SIZES ARE AVAILABLE. CHECK WITH FACTORY.
- THIS PRODUCT MEETS THE EUROPEAN UNION DIRECTIVES AND OTHER COUNTRY REGULATIONS AS DESCRIBED IN GS-22-008.
- THE HOUSING WILL WITHSTAND EXPOSURE UP TO 260°C PEAK TEMPERATURE FOR 30 SECONDS IN A CONVECTION, INFRA-RED OR VAPOR PHASE REFLOW OVEN.
- PLATING OPTION "4" IS LEADFREE ALTERNATIVE FOR OPTION "0", AND OPTION "6" IS LEADFREE ALTERNATIVE FOR OPTION "1".
- THIS PARTNUMBER IS ONLY CATER FOR SPECIAL CUSTOMER, REQUIRMENTS OF COPLANARITY OF 0.1 FOR ALLPOSITION.
- A Δ SYMBOL WILL BE NEXT TO ANY DIMENSION, VIEW, OR NOTE WHICH WHICH HAS BEEN MODIFUED WITH CURRENT DRAWING REVISION.

C	PLATING	FF
0	GOLD 0.2um MIN. ON CONTACT AREA ; TIN LEAD 2.5um MIN ON SOLDER TAIL NICKEL UNDERPLATE OVERALL 1.27um MIN	NONE
1	GOLD FLASH (0.065um MIN) OVER PALLADIUM-NICKEL 0.69um MIN ON CONTACT AREA ; TIN LEAD 2.5um MIN ON SOLDER TAIL NICKEL UNDERPLATE OVERALL 1.27um.	NONE
4	GOLD 0.2um MIN ON CONTACT AREA ; PURE MATT TIN 2.5um MIN ON SOLDER TAIL ; NICKEL UNDERPLATE OVERALL 1.27um. (LEADFREE PLATING)	LF
5	GOLD 0.38um MIN ON CONTACT AREA ; MATT PURE TIN 2.5um MIN ON SOLDER TAIL ; NICKEL UNDERPLATE OVERALL 1.27um MIN (LEADFREE PLATING)	LF
6	GOLD FLASH (0.065um MIN) OVER PALLADIUM-NICKEL 0.69um MIN ON CONTACT AREA ; PURE MATT TIN 2.5um MIN ON SOLDER TAIL NICKEL UNDERPLATE OVERALL 1.27um. (LEADFREE PLATING)	LF

mat'l. code				surface ISO 1302 ✓		tolerance ISO 406 ISO 1101		projection 1101		product family BERGSTAK HPL545		
ltr ecn no dr date				tolerances unless otherwise specified		mm		title		sheet 1 of 6 size		
A	S06-0286	MCH	2016-08-25	angles		.0±.2		PLUG ASSY		A3		
B	S06-0316	MCH	2006-09-25	linear		.00±.15		BERGSTAK 0.8MM		10069525		
C	S09-0216	MCH	2009-06-26	0°±3'		.000±.10		scale 1:1		type Product Customer Drawing		
D	S10-0069	MCH	2010-03-26	dr	GuoMin Sun	2014-10-21	Amphenol FCI		dwg no		sheet 1 of 6 size	
E	ELX-N-26381	Bob	2018-11-22	engr	Bob Gu	2021-07-30			10069525		A3	
F	ELX-N-41877	Bob	2021-07-30	chr	LQ Lei	2021-07-30						
				appd	Tim Yao	2021-07-30						
sheet index		revision sheet		A	B	C	D	E	F			
				1~6	1~6	1~6	1~6	1~6	1~6			

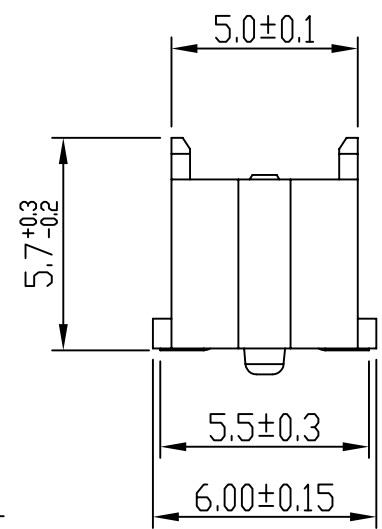
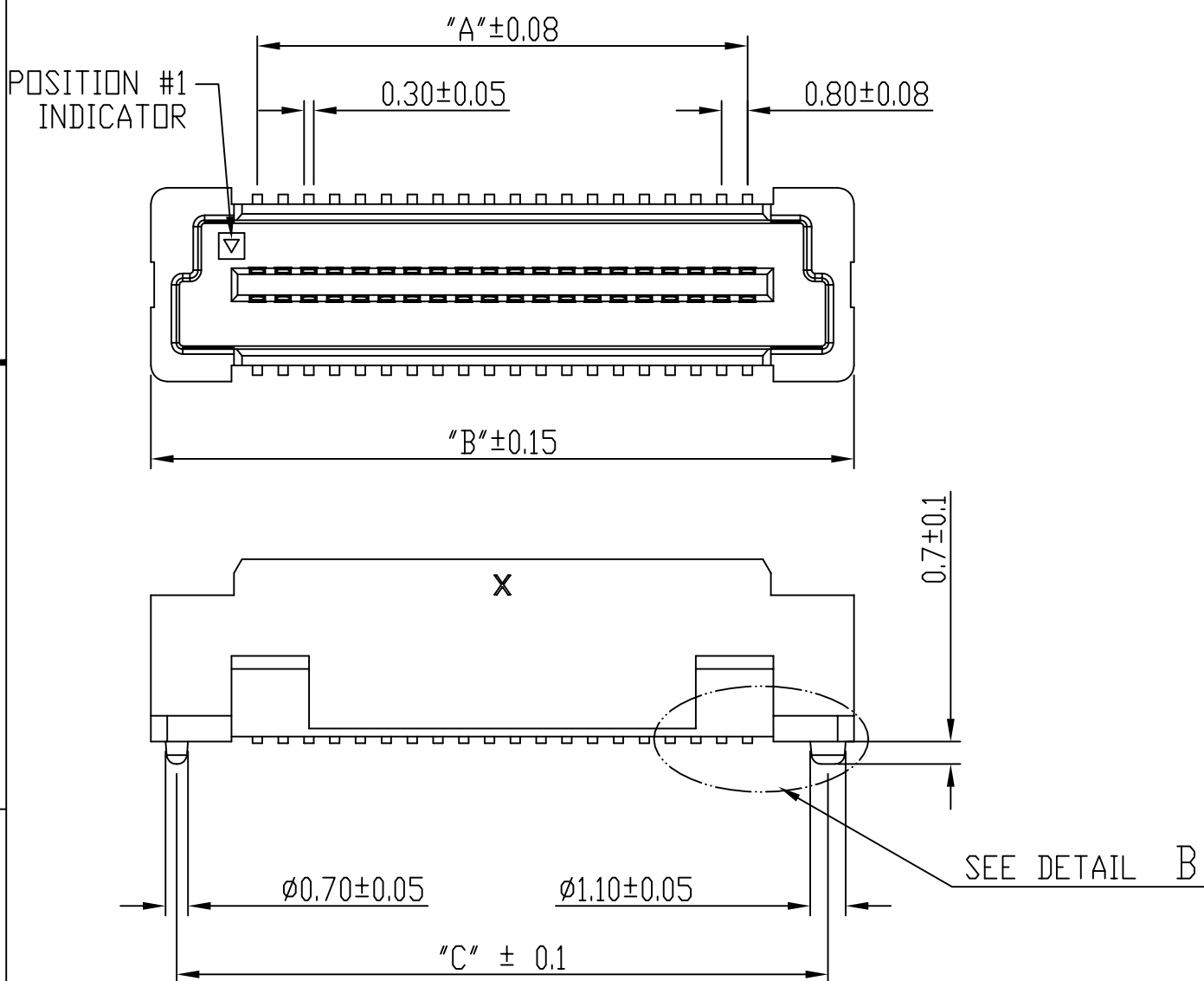
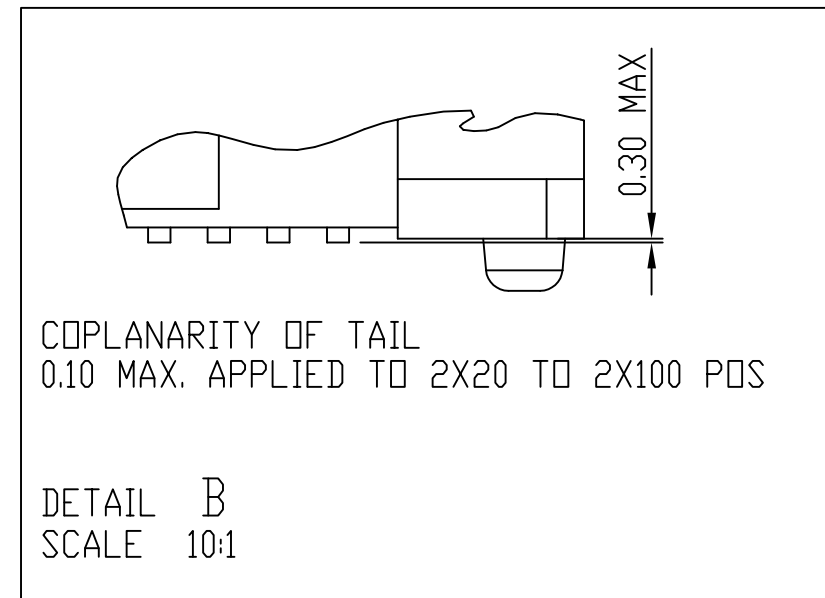
PRODUCT NO.	NO. OF POSITION	DIMENSION		
		A	B	C
10069525-041***	2X20	15.2	21.8	20.2
10069525-061***	2X30	23.2	29.8	28.2
10069525-081***	2X40	31.2	37.8	36.2
10069525-101***	2X50	39.2	45.8	44.2
10069525-121***	2X60	47.2	53.8	52.2
10069525-141***	2X70	55.2	61.8	60.2
10069525-161***	2X80	63.2	69.8	68.2
10069525-181***	2X90	71.2	77.8	76.2
10069525-201***	2X100	79.2	85.8	84.2



PLUG 1

mat'l. code				surface ISO 1302 ✓		tolerance ISO 406 ISO 1101		projection		product family	
ISO 1302 ✓				ISO 406		ISO 1101		mm		BERGSTAK HPL545	
tolerances unless otherwise specified				angles		linear		scale 1:1		title	
F				0°±3'		.0±.2		Amphenol FCI		PLUG ASSY	
						.00±.15				BERGSTAK 0.8MM	
						.000±.10				dwg no	
				dr GuoMin Sun 2014-10-21						sheet 2 of 6	
				engr Bob Gu 2021-07-30						size	
				chr LQ Lei 2021-07-30						A3	
				appd Tim Yao 2021-07-30						type	
										Product Customer Drawing	
sheet index		revision F		1~6							

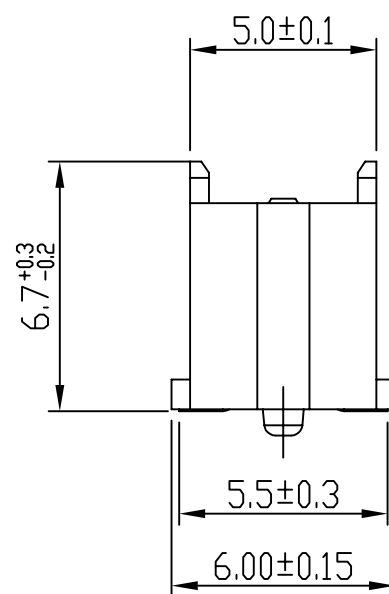
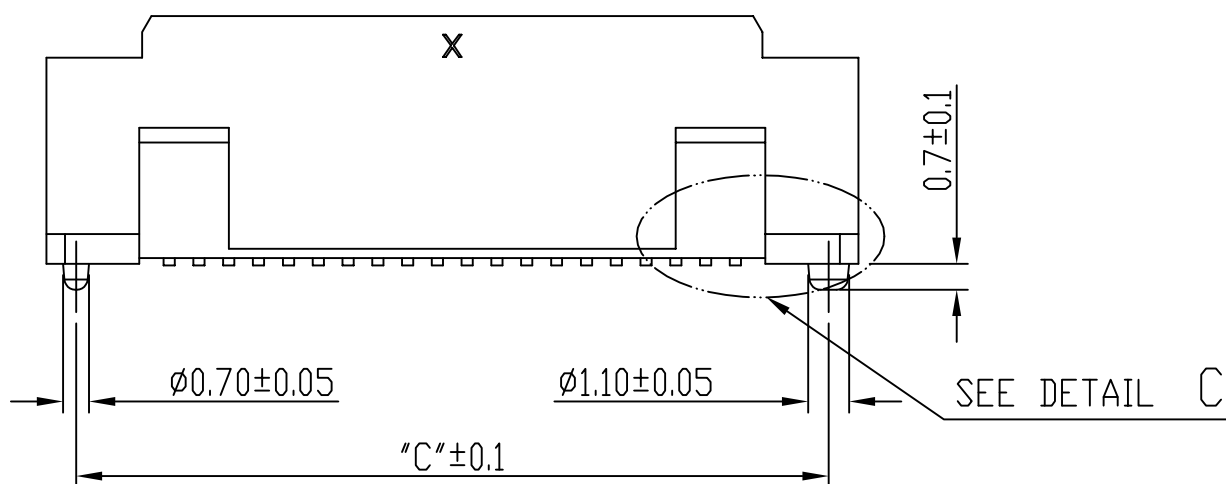
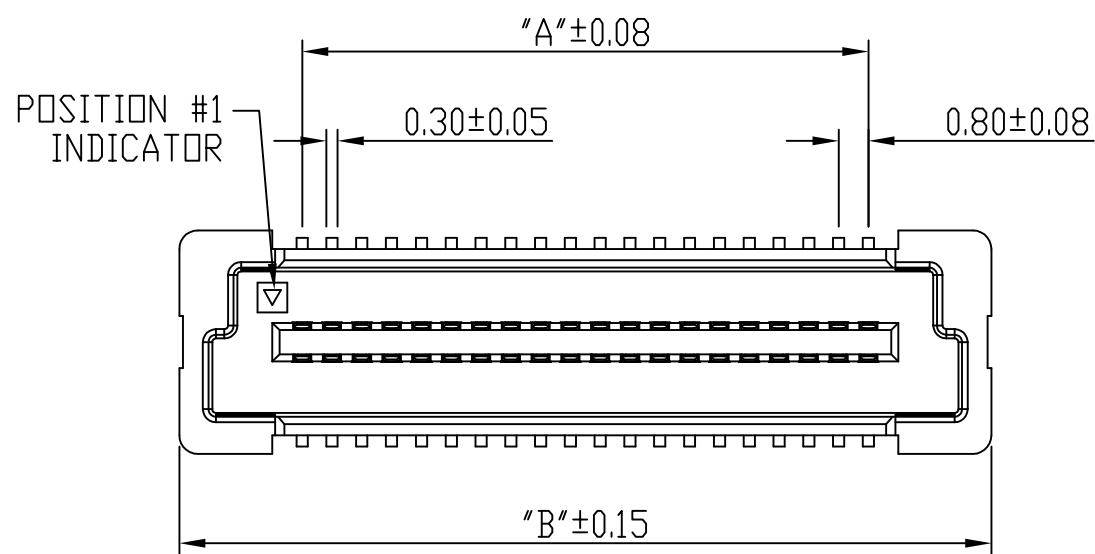
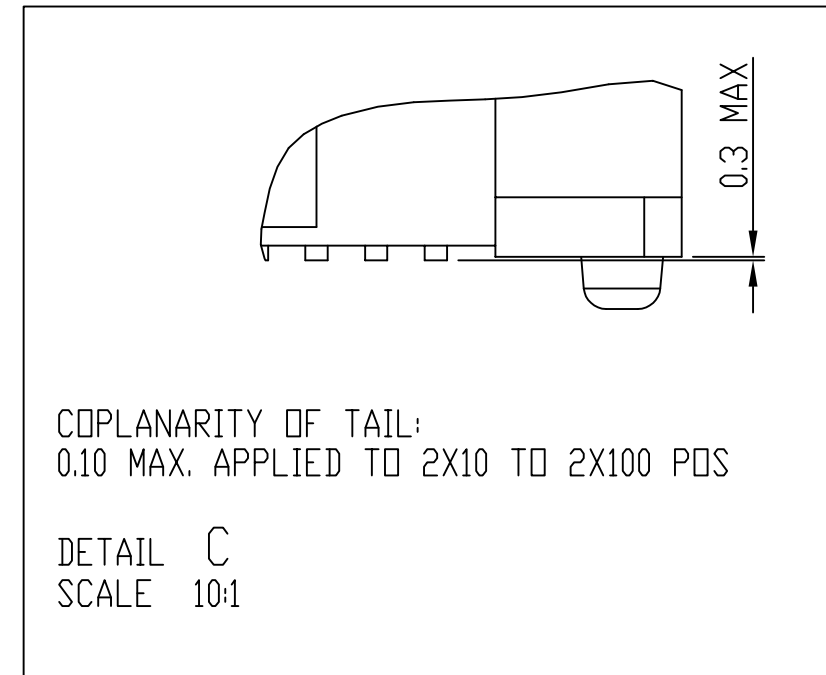
PRODUCT NO.	NO. OF POSITION	DIMENSION		
		A	B	C
10069525-042***	2X20	15.2	21.8	20.2
10069525-062***	2X30	23.2	29.8	28.2
10069525-082***	2X40	31.2	37.8	36.2
10069525-102***	2X50	39.2	45.8	44.2
10069525-122***	2X60	47.2	53.8	52.2
10069525-142***	2X70	55.2	61.8	60.2
10069525-162***	2X80	63.2	69.8	68.2
10069525-182***	2X90	71.2	77.8	76.2
10069525-202***	2X100	79.2	85.8	84.2



PLUG 2

mat'l. code		surface	tolerance	projection	product family
ISO 1302 ✓		ISO 406	ISO 1101	BERGSTAK HPL545	
tr		tolerances unless otherwise specified		mm	title
F		angles	.0 ± .2	mm	PLUG ASSY
		linear	.00 ± .15	scale 1:1	BERGSTAK 0.8MM
		0° ± 3°	.000 ± .10		
dr		GuoMin Sun	2014-07-14	dwg no	
engr		Bob Gu	2021-07-30	sheet 3 of 6	
chr		LQ Lei	2021-07-30	size	
appd		Tim Yao	2021-07-30	A3	
sheet index		revision	F	type	
sheet 1~6				Product Customer Drawing	

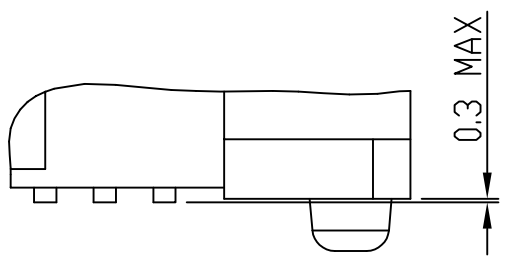
PRODUCT NO.	NO. OF POSITION	DIMENSION		
		A	B	C
10069525-043***	2X20	15.2	21.8	20.2
10069525-063***	2X30	23.2	29.8	28.2
10069525-083***	2X40	31.2	37.8	36.2
10069525-103***	2X50	39.2	45.8	44.2
10069525-123***	2X60	47.2	53.8	52.2
10069525-143***	2X70	55.2	61.8	60.2
10069525-163***	2X80	63.2	69.8	68.2
10069525-183***	2X90	71.2	77.8	76.2
10069525-203***	2X100	79.2	85.8	84.2



PLUG 3

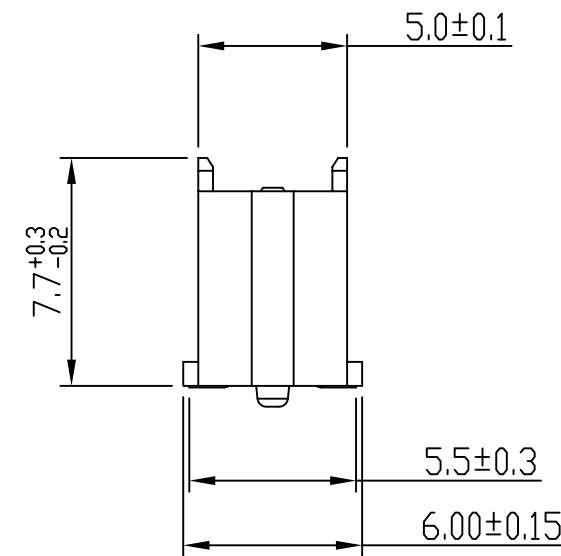
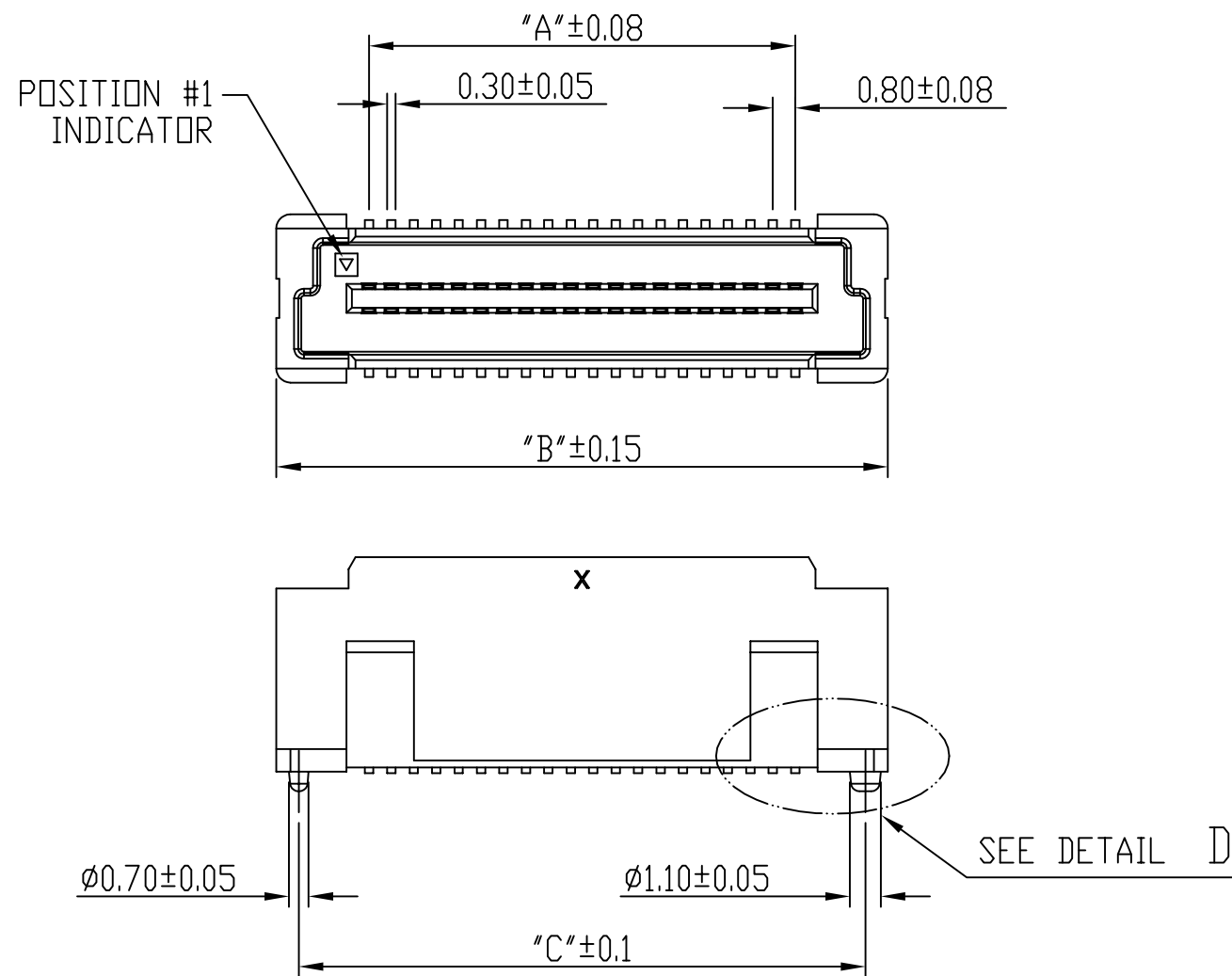
mat'l. code				surface ISO 1302 ✓		tolerance ISO 406 ISO 1101		projection 1101		product family BERGSTAK HPL545	
ltr				ecn no		dr		date		title	
F										PLUG ASSY BERGSTAK 0.8MM	
				angles		linear		mm		scale 1:1	
				0°±3'						dwg no	
				dr		GuoMin Sun		2014-07-14		sheet 4 of 6	
				engr		Bob Gu		2021-07-30		size	
				chr		LQ Lei		2021-07-30		A3	
				appd		Tim Yao		2021-07-30		type	
				Product		Customer		Drawing			
sheet index		revision		F							
		sheet		1~6							

PRODUCT NO.	NO. OF POSITION	DIMENSION		
		A	B	C
10069525-044***	2X20	15.2	21.8	20.2
10069525-064***	2X30	23.2	29.8	28.2
10069525-084***	2X40	31.2	37.8	36.2
10069525-104***	2X50	39.2	45.8	44.2
10069525-124***	2X60	47.2	53.8	52.2
10069525-144***	2X70	55.2	61.8	60.2
10069525-164***	2X80	63.2	69.8	68.2
10069525-184***	2X90	71.2	77.8	76.2
10069525-204***	2X100	79.2	85.8	84.2



COPLANARITY OF TAIL:
0.10 MAX. APPLIED TO 2X20 TO 2X100 POS

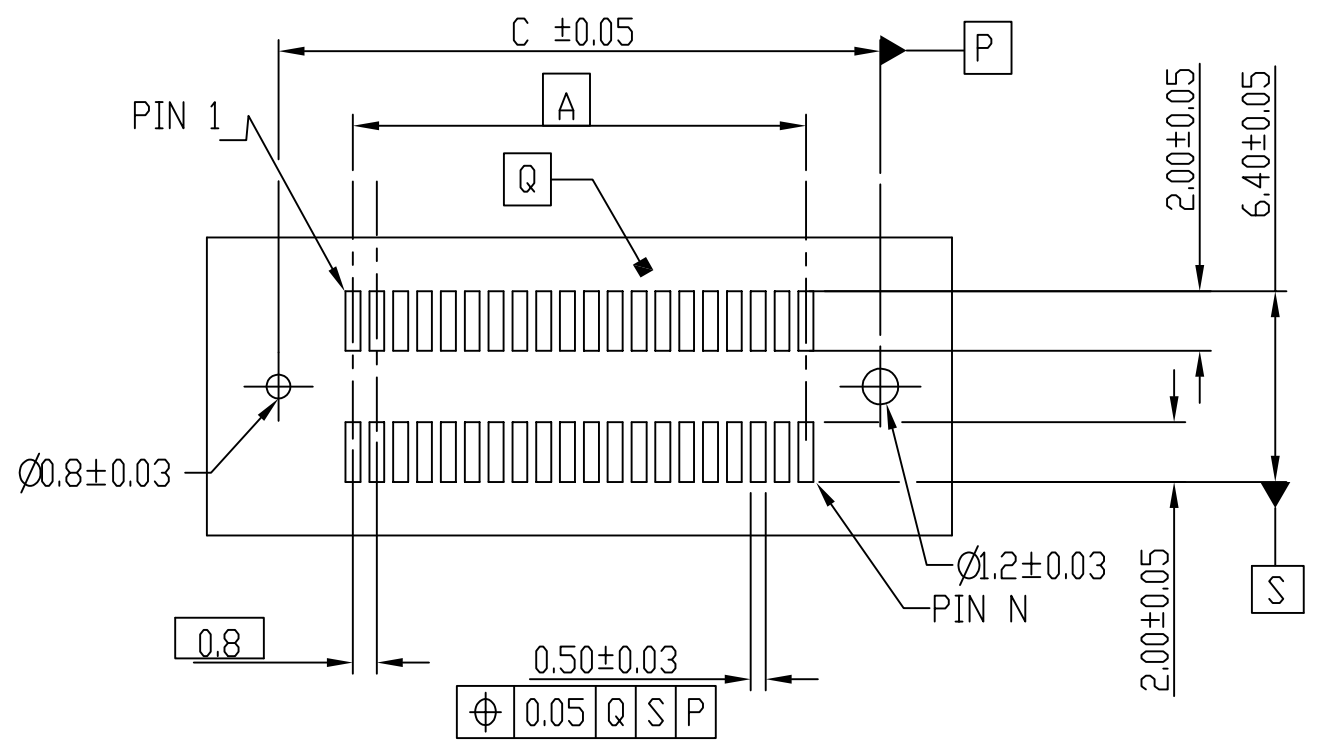
DETAIL D
SCALE 10:1



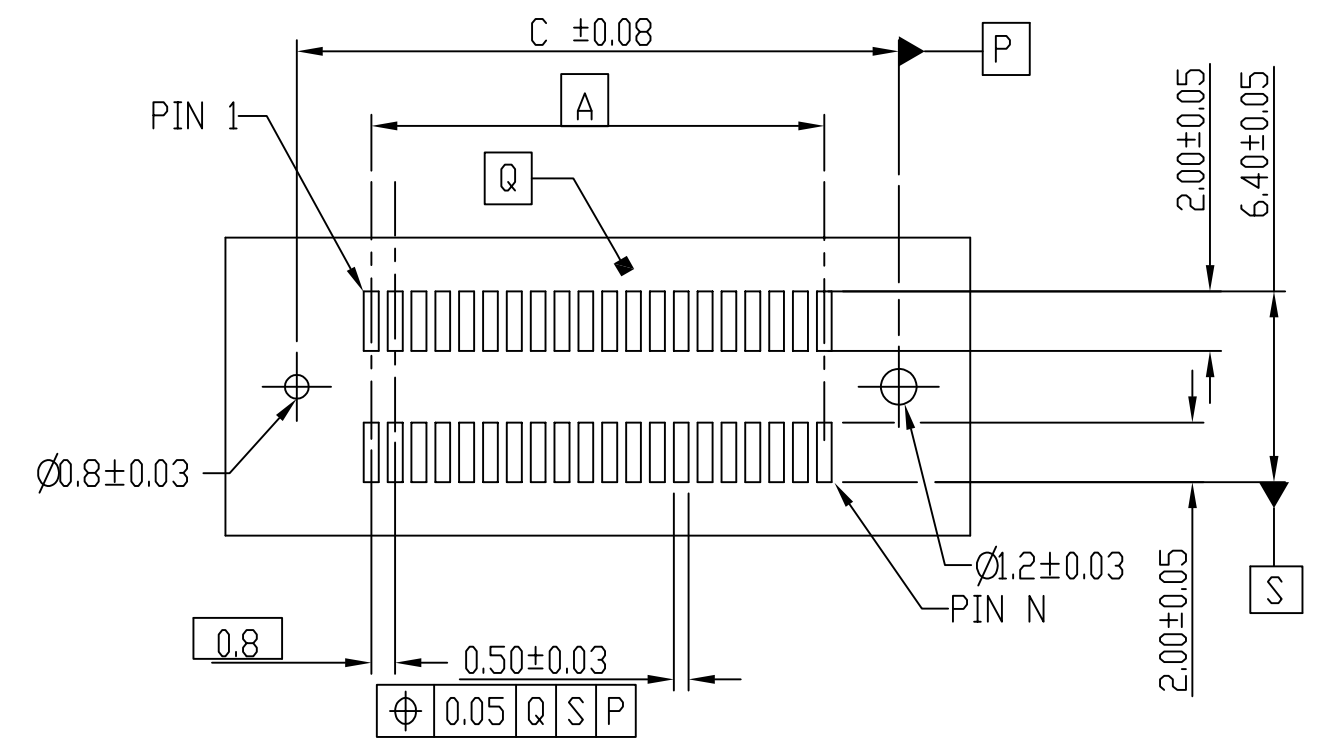
PLUG 4

mat'l. code		surface ISO 1302 ✓		tolerance ISO 406 ISO 1101		projection		product family	
ltr		ecn no		dr		date		BERGSTAK HPL545	
F								title	
								PLUG ASSY	
								BERGSTAK 0.8MM	
								dwg no	
								10069525	
								sheet 5 of 6	
								size	
								A3	
								type	
								Product Customer Drawing	
sheet index		revision		F					

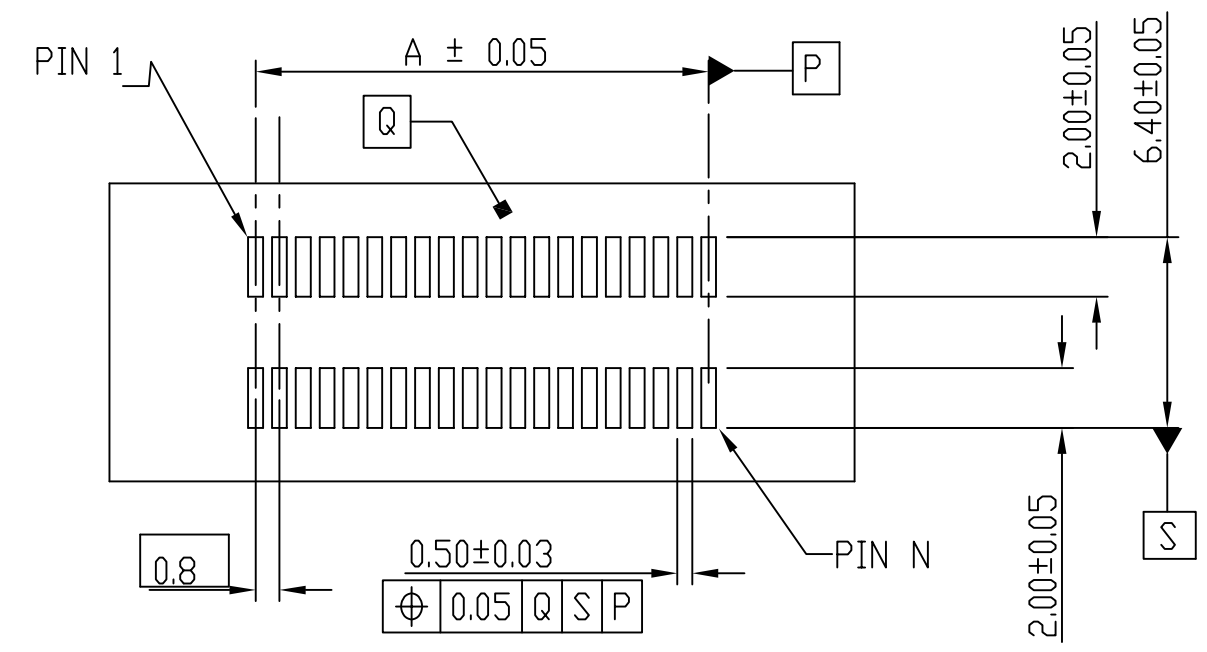
FOR PLUG 1/2/3/4



RECOMMENDED PCB LAYOUT WITH PEG FOR
NO. OF PDS 2X10, 2X20, 2X30, 2X40, 2X50 2X60



RECOMMENDED PCB LAYOUT WITH PEG FOR
NO. OF PDS 2X70, 2X80, 2X90, 2X100



RECOMMENDED PCB LAYOUT WITHOUT PEG FOR
NO. OF PDS 2X20, 2X30, 2X40, 2X50 2X60

mat'l. code		surface ISO 1302 ✓		tolerance ISO 406 ISO 1101		projection		product family	
ltr		ecn no		dr		date		BERGSTAK HPL545	
F								title	
								PLUG ASSY	
								BERGSTAK 0.8MM	
								dwg no	
								10069525	
								sheet 6 of 6	
								size	
								A3	
								type	
								Product Customer Drawing	
sheet index		revision		F					
				1~6					

Amphenol FCI

© 2016 AFCI