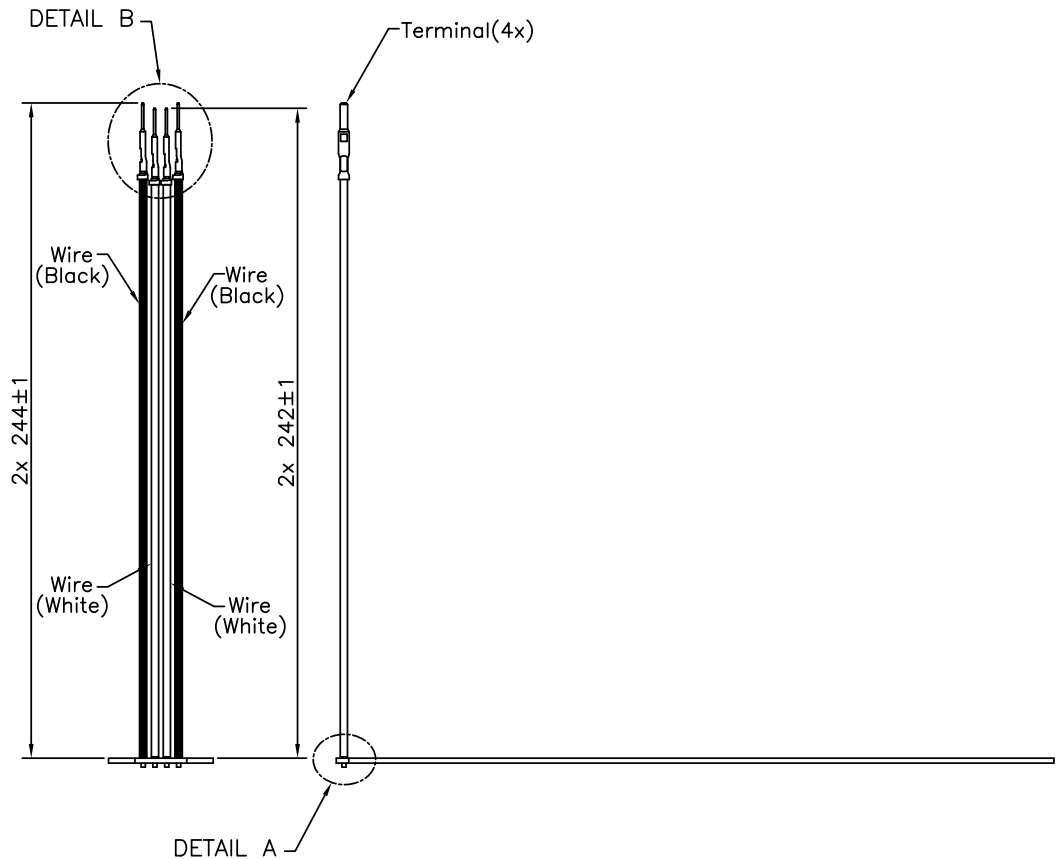


FCI CONFIDENTIAL

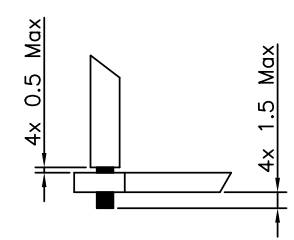
FCI

This document is the property of and embodies CONFIDENTIAL and PROPRIETARY information of FCI. No part of the information shown on this document may be used in any way or disclosed to others without the written consent of FCI.
Copyright FCI

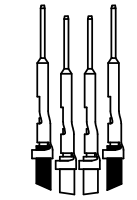
PRODUCT No.
10079074-001LF



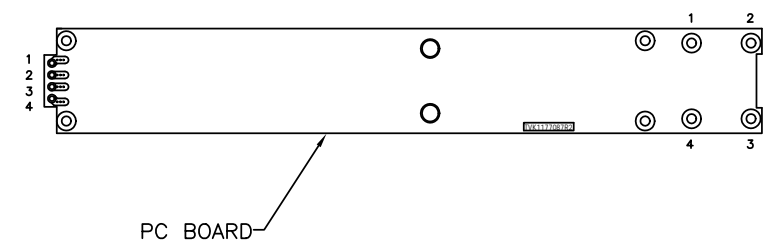
- NOTES:
1. 100% CONTINUITY TEST FOR OPEN,SHORTING,ETC..
 2. WIRES SOLDERED DIRECTLY TO PCB.
 3. MAKE SURE THE CONTACT ORIENTATION, SEE DETAIL B.
 4. OUTER CABLES HAVE TO BE 2MM LONGER THAN INNER CABLES.
 5. PCB THICKNESS 1.8MM(REF).
 6. ROHS COMPLIANCE.



DETAIL A Δ 2
SCALE 4:1



DETAIL B Δ 3
SCALE 2:1



FCI P/N	ERICSSON P/N
10079074-001LF	SXK1115156/1

mat'l. code		surface		tolerance		projection		product family	
		ISO 1302		ISO 406 ISO 1101					
ltr ecn no dr date		tolerances unless otherwise specified		title					
A	N07-0207	ST	8/30/07	angles		linear		ERICSSON Power PBA	
B	00-01-11-03-1	ST	4/8/13	±2'		±1.0		MM	
						scale		dwg no sheet 1 of 1 size	
		dr Sunny Tsai		10JUL07				10079074 A4	
		engr Sunny Tsai		10JUL07				type CUSTOMER Drawing	
		chr Jackson Wang		10JUL07					
		appo Jackson Wang		10JUL07					
sheet index	revision	B							
1	sheet	1							