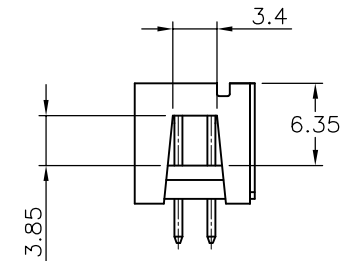
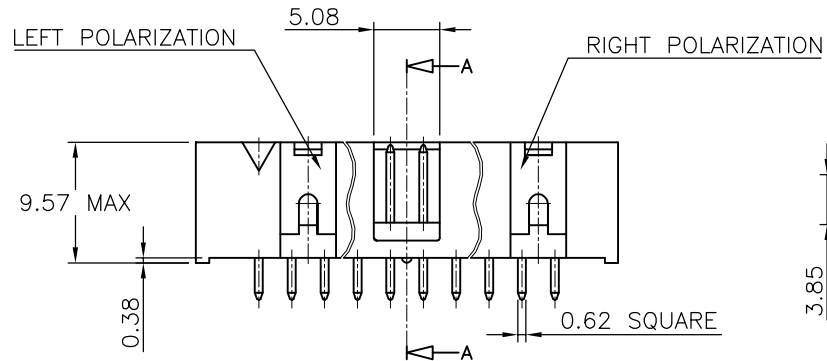
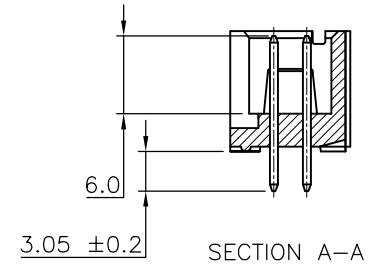
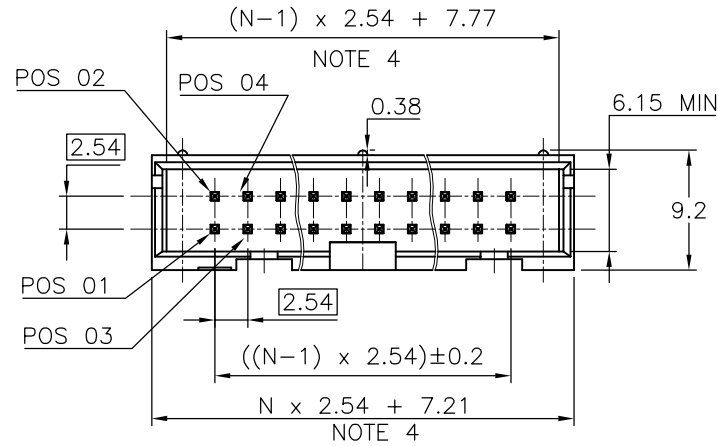


PRODUCT NUMBER
10087122-7XXLF

PLATING
0.05µm Au FULL PLATED
OVER 1.27µm Ni MIN

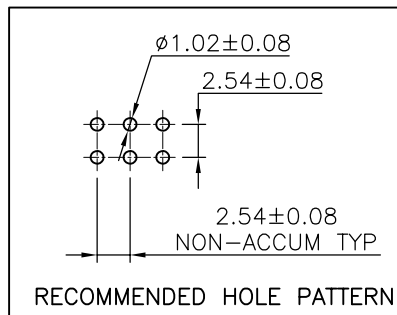
INDICATES THE PRODUCT IS RoHS
COMPATIBLE, SEE NOTE 5

PIN STYLE	SIZE	MISSING PIN
06	2x3	
08	2x4	
09	2x4	POS 01
10	2x5	
14	2x7	
16	2x8	
18	2x9	
20	2x10	
26	2x13	
30	2x15	
34	2x17	
40	2x20	
44	2x22	
50	2x25	
60	2x30	
64	2x32	



NOTES:

- 1 - HOUSING MAT'L : GLASS FILLED THERMOPLASTIC. UL94V-0 COLOR: BLUE
- 2 - PIN MATERIAL : BRASS
- 3 - PRODUCT PACKAGED IN TUBES.
- 4 - TO DETERMINE DIMENSIONS :
N = NUMBER OF POSITIONS PER ROW
EXAMPLE : 8 POS N x 2.54 = 20.32mm
- 5 - RoHS COMPATIBLE PRODUCT SPECIFICATIONS
 - a - PLATING:
 - "LF" MEANS THE PRODUCT IS LEAD-FREE, 2µm MINIMUM MATTE TIN OVER 1.27µm MINIMUM NICKEL UNDERPLATE.
 - b - MANUFACTURING PROCESS COMPATIBILITY
 - THE HOUSING WILL WITHSTAND EXPOSURE TO 260°C ±5°C SOLDER BATH TEMPERATURE FOR 5 SECONDS IN A WAVE SOLDER APPLICATION WITH A 1.6mm MIN THICK CIRCUIT BOARD.
 - c - LABELLING:
 - MEETS PACKAGING SPECS AS PER GS-14-920
 - d - LEGAL STATEMENT: SEE GS-47-0004



mat'l. code		surface	tolerance	projection	product family
		ISO 1302	ISO 406 ISO 1101		QUICKIE
ltr ecn no dr date		tolerances unless otherwise specified			title
A	F08-0149	LMU	08.03.27	.X ±0.3	QKIE SSLIM HDR
B	B-19070	LMU	14.10.15	.XX ±0.13	STR 0.05µm AU
C	B-19564	BVE	14.12.01	.XXX ±0.05	scale 2.5:1
D	F-28652	LMU	17.11.30	dr J.COMPAGNON 08.03.07	dwg no
			enr L.MULIN 08.03.07	appr L.MULIN 08.03.07	sheet 1 of 1 size
sheet index		revision			10087122 A3
17.11.30					CUSTOMER Drawing