

List of "SFW\_\_R-1/2STGE5LF" customer document

DOCUMENT NO.	LIST
10092072(SHEET1)	DOCUMENT LIST
10092072(SHEET2)	CAT.NO.TABLE FOR 1mm SPACING SMT CONNECTOR (SFW__R-1/2STG_LF)
10092072(SHEET3)	1mm SPACING SMT CONNECTOR (SFW__R-1STG_LF)
10092072(SHEET4)	1mm SPACING SMT CONNECTOR (SFW__R-2STG_LF)
10092072(SHEET5)	CAT.NO.TABLE FOR PLASTIC TAPE PACKAGED 1mm SPACING SMT CONNECTOR (SFW__R-1/2STGE5LF)
10092072(SHEET6)	PLASTIC TAPE PACKAGED 1mm SPACING SMT CONNECTOR (SFW__R-1STGE5LF)
10092072(SHEET7)	PLASTIC TAPE PACKAGED 1mm SPACING SMT CONNECTOR (SFW__R-2STGE5LF)
10092072(SHEET8)	RECOMMENDED CABLE (FPC) (SFW__R-1/2STG_)
SC-SFW14	PRODUCT SPECIFICATION
GS-20-129	HANDLING PROCEDURES

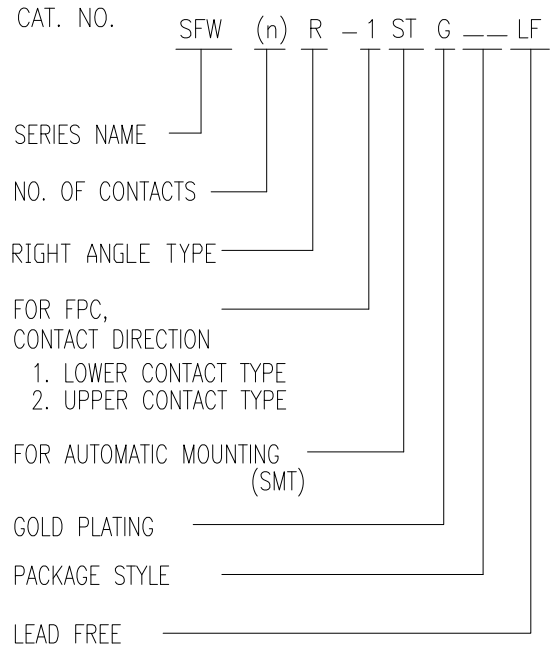


© 2016 AFCl

mat'l. code				surface		tolerance		projection		product family				
-				ISO 1302		ISO 406 ISO 1101				58RF				
ltr	ecn no	dr	date	tolerances unless otherwise specified						title				
A	S08-0277	DGOH	2008-8-25	angles						1mm SPACING FPC/FFC CONNECTOR DOCUMENT LIST				
B	S09-0180	DGOH	2009-5-28	linear						(Cat. No. : SFW__R-1/2STGE5LF)				
C	J09-0380	M.Y	2009-10-27							scale N/A				
D	ELX-J-32971	S.W	2019-3-20	dr	S.WATANABE	2019-3-20				dwg no		sheet 1 of 8	size	
				enr	S.WATANABE	2019-3-20				10092072		A4		
				chr	S-H.THIO	2019-3-20								
				appd	Y.KAMEDA	2019-3-20				type Product Customer Drawing				
sheet index	revision sheet	D	D	D	D	D	D	D	D					
		1	2	3	4	5	6	7	8					

CAT. NO. & DIMENSIONS

NO. OF CONTACTS (n)	CAT. NO.	DIMENSIONS (NOTE2)			
		A ± 0.2	B ± 0.2	C ± 0.2	D ± 0.1
4	SFW4R-1/2STG__LF	9.8	8.6	3.0	5.3
5	SFW5R-1/2STG__LF	10.8	9.6	4.0	6.3
6	SFW6R-1/2STG__LF	11.8	10.6	5.0	7.3
7	SFW7R-1/2STG__LF	12.8	11.6	6.0	8.3
8	SFW8R-1/2STG__LF	13.8	12.6	7.0	9.3
9	SFW9R-1/2STG__LF	14.8	13.6	8.0	10.3
10	SFW10R-1/2STG__LF	15.8	14.6	9.0	11.3
11	SFW11R-1/2STG__LF	16.8	15.6	10.0	12.3
12	SFW12R-1/2STG__LF	17.8	16.6	11.0	13.3
13	SFW13R-1/2STG__LF	18.8	17.6	12.0	14.3
14	SFW14R-1/2STG__LF	19.8	18.6	13.0	15.3
15	SFW15R-1/2STG__LF	20.8	19.6	14.0	16.3
16	SFW16R-1/2STG__LF	21.8	20.6	15.0	17.3
17	SFW17R-1/2STG__LF	22.8	21.6	16.0	18.3
18	SFW18R-1/2STG__LF	23.8	22.6	17.0	19.3
19	SFW19R-1/2STG__LF	24.8	23.6	18.0	20.3
20	SFW20R-1/2STG__LF	25.8	24.6	19.0	21.3
21	SFW21R-1/2STG__LF	26.8	25.6	20.0	22.3
22	SFW22R-1/2STG__LF	27.8	26.6	21.0	23.3
23	SFW23R-1/2STG__LF	28.8	27.6	22.0	24.3
24	SFW24R-1/2STG__LF	29.8	28.6	23.0	25.3
25	SFW25R-1/2STG__LF	30.8	29.6	24.0	26.3
26	SFW26R-1/2STG__LF	31.8	30.6	25.0	27.3
27	SFW27R-1/2STG__LF	32.8	31.6	26.0	28.3
28	SFW28R-1/2STG__LF	33.8	32.6	27.0	29.3
29	SFW29R-1/2STG__LF	34.8	33.6	28.0	30.3
30	SFW30R-1/2STG__LF	35.8	34.6	29.0	31.3



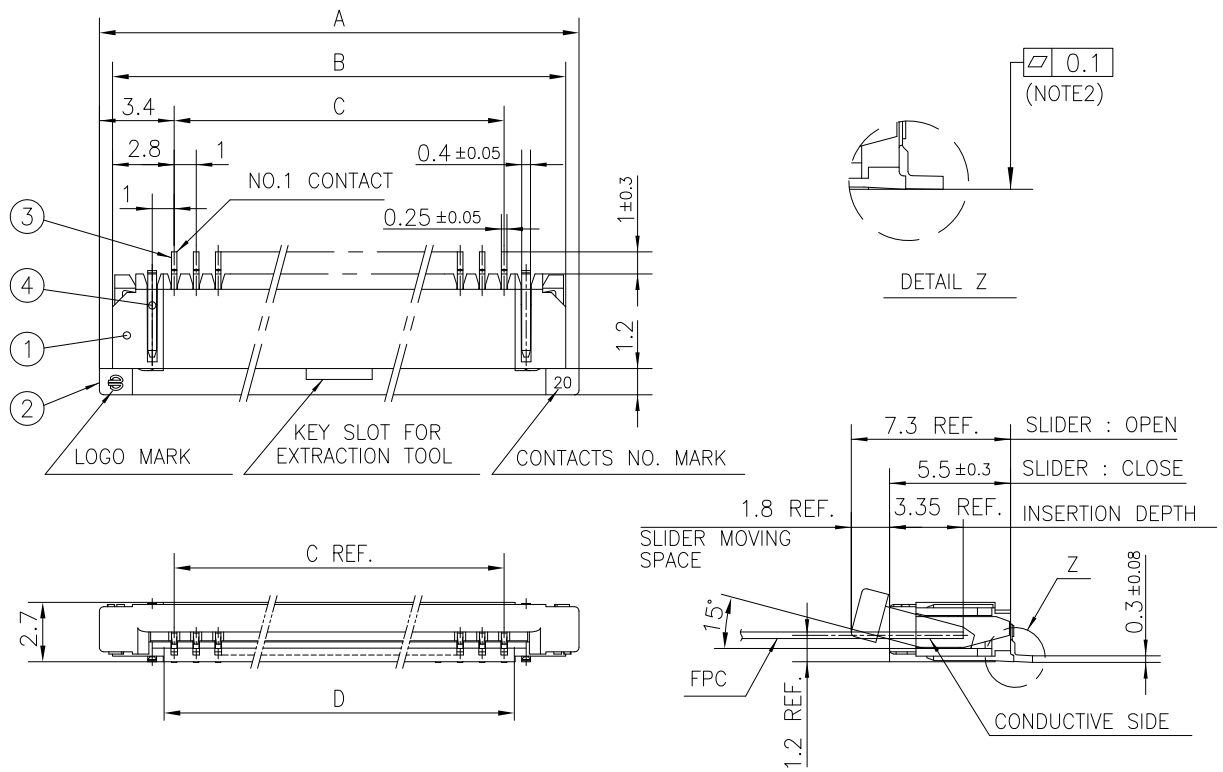
NOTES

1. THIS PRODUCT IS THE CONNECTOR USED FOR FPC AND COPEs WITH AUTOMATIC MOUNTING (SMT).
2. SEE PART DRAWINGS FOR DIMENSIONS A~D.

Amphenol FCI

© 2016 AFCl

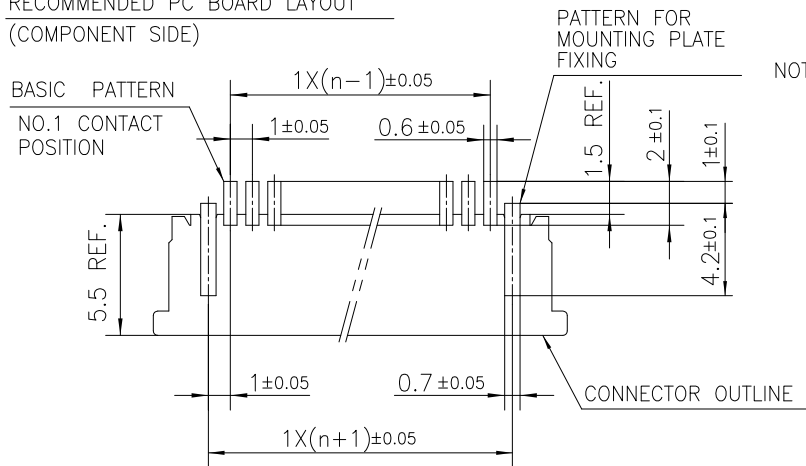
mat'l. code		surface ISO 1302 <input checked="" type="checkbox"/>		tolerance ISO 406 ISO 1101		projection		product family 58RF			
ltr	ecn no	dr	date	tolerances unless otherwise specified		MM		title			
D				angles	linear	scale N/A		CAT. NO. TABLE FOR 1mm SPACING SMT CONNECTOR (Cat. No. : SFW__R-1/2STG__LF)			
				dr	S.WATANABE	2019-3-20	Amphenol FCI	dwg no		sheet 2 of 8	size
				enr	S.WATANABE	2019-3-20		10092072			A4
				chr	S-H.THIO	2019-3-20		type Product Customer Drawing			
				appd	Y.KAMEDA	2019-3-20					
sheet index	revision sheet										



PT. NO.	PARTS NAME	MATERIAL	Q'TY	NOTE
1	HOUSING	PPS RESIN GLASS REINFORCED (UL94V-0)	1	COLOR : BROWN
2	SLIDER		1	COLOR : BLACK
3	CONTACT	PHOSPHOR BRONZE	n	PLATING : GOLD
4	MOUNTING PLATE		2	PLATING : TIN

n : NO. OF CONTACTS

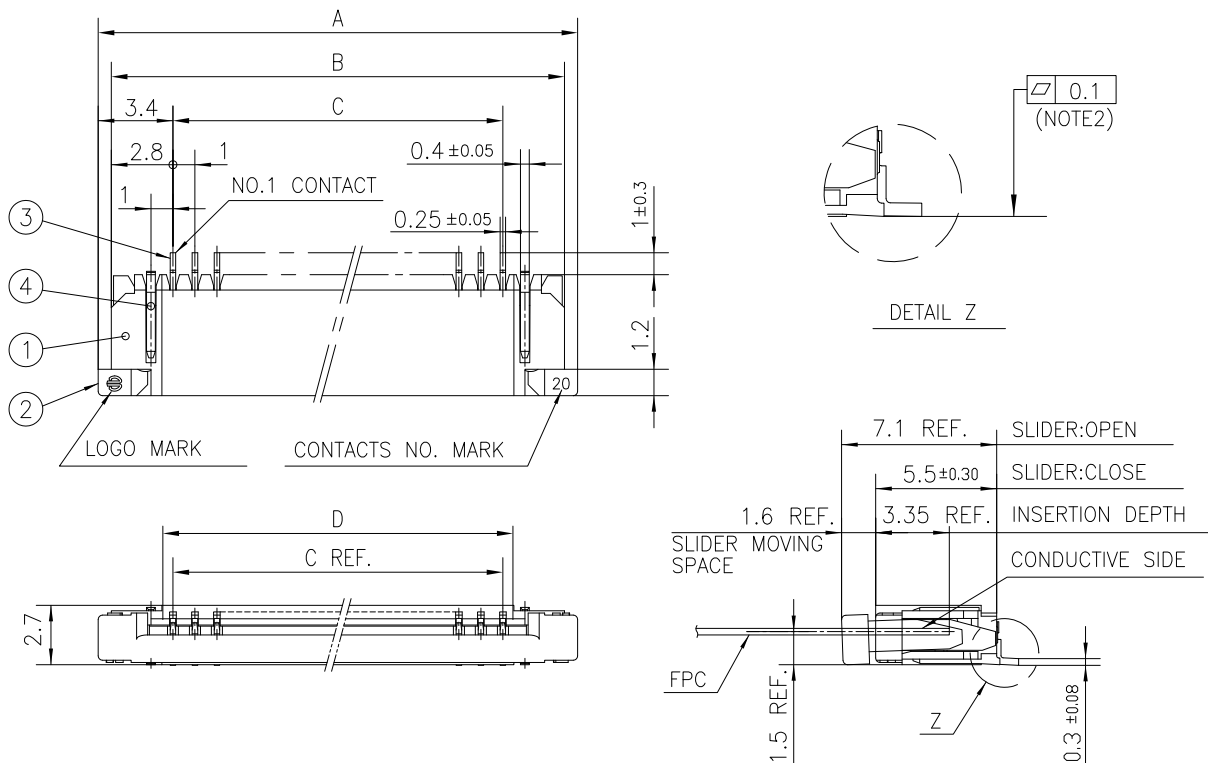
RECOMMENDED PC BOARD LAYOUT  
(COMPONENT SIDE)



NOTES

1. THIS PRODUCT IS THE CONNECTOR USED FOR FPC AND COPES WITH AUTOMATIC MOUNTING (SMT).
2. FLATNESS FOR CONTACT TERMINAL HOUSING MUST BE WITHIN TOLERANCE IN Z PORTION DETAILED DRAWING.
3. THIS PRODUCT IS LOWER CONTACT TYPE CONNECTOR.
4. THIS PRODUCT MEETS EUROPEAN UNION DIRECTIVES AND OTHER COUNTRY REGULATIONS AS DESCRIBED IN GS-22-008.
5. THE HOUSING WILL WITHSTAND EXPOSURE TO 260°C PEAK TEMPERATURE FOR 10 SECONDS IN A REFLOW SOLDERING OVEN.

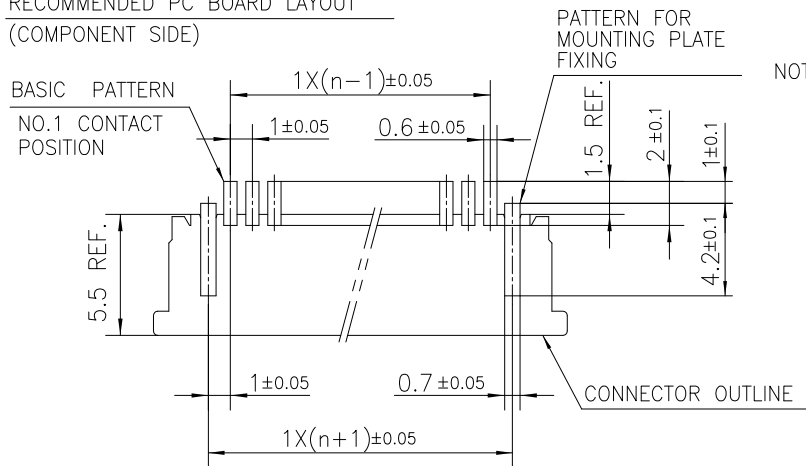
mat'l. code		surface ISO 1302		tolerance ISO 406 ISO 1101		projection		product family					
-		✓						58RF					
ltr	ecn no	dr	date	tolerances unless otherwise specified				title					
D				angles		±0.2		1mm SPACING SMT CONNECTOR					
				linear				(Cat. No. SFW__R-1STG__LF)					
						MM		dwg no					
								sheet 3 of 8 size					
				dr	S.WATANABE	2019-3-20		10092072					
				enr	S.WATANABE	2019-3-20		A4					
				chr	S-H.THIO	2019-3-20		type Product Customer Drawing					
				app	Y.KAMEDA	2019-3-20							
sheet index	revision sheet												



PT. NO.	PARTS NAME	MATERIAL	Q'TY	NOTE
1	HOUSING	REINFORCED (UL94V-0)	1	COLOR : BROWN
2	SLIDER		1	COLOR : BLACK
3	CONTACT	PHOSPHOR BRONZE	n	PLATING : GOLD
4	MOUNTING PLATE		2	PLATING : TIN

n : NO. OF CONTACTS

RECOMMENDED PC BOARD LAYOUT  
(COMPONENT SIDE)



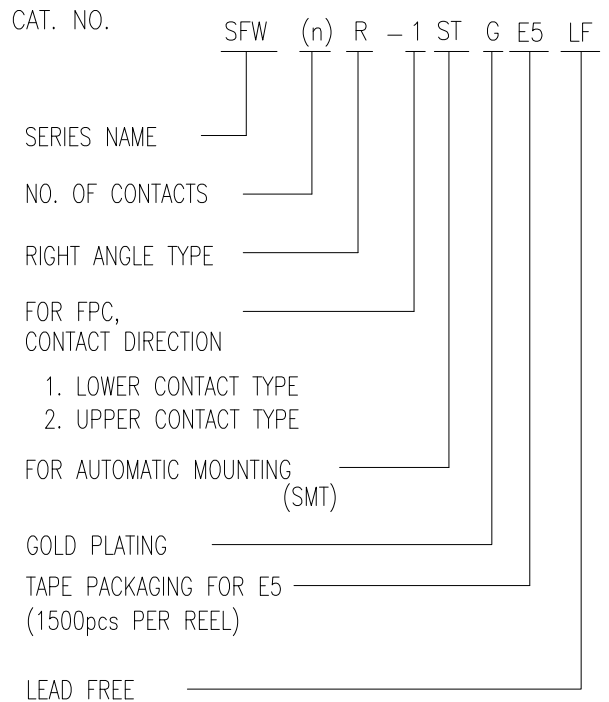
NOTES

1. THIS PRODUCT IS THE CONNECTOR USED FOR FPC AND COPES WITH AUTOMATIC MOUNTING (SMT).
2. FLATNESS FOR CONTACT TERMINAL HOUSING MUST BE WITHIN TOLERANCE IN Z PORTION DETAILED DRAWING.
3. THIS PRODUCT IS UPPER CONTACT TYPE CONNECTOR.
4. THIS PRODUCT MEETS EUROPEAN UNION DIRECTIVES AND OTHER COUNTRY REGULATIONS AS DESCRIBED IN GS-22-008.
5. THE HOUSING WILL WITHSTAND EXPOSURE TO 260°C PEAK TEMPERATURE FOR 10 SECONDS IN A REFLOW SOLDERING OVEN.

mat'l. code		surface ISO 1302		tolerance ISO 406 ISO 1101		projection		product family	
-		✓						58RF	
ltr	ecn no	dr	date	tolerances unless otherwise specified				title	
D				angles	linear	MM		1mm SPACING SMT CONNECTOR (Cat. No. SFW__R-2STG__LF)	
					±0.2			dwg no	
				dr	S.WATANABE	2019-3-20			sheet 4 of 8
				enr	S.WATANABE	2019-3-20			size
				chr	S-H.THIO	2019-3-20			A4
				app	Y.KAMEDA	2019-3-20			type
sheet index		revision sheet						Product Customer Drawing	

CAT. NO. & DIMENSIONS

NO. OF CONTACTS (n)	CAT. NO. (NOTE2)	DIMENSIONS (NOTE3)		
		E MAX.	F ± 0.3	G ± 0.1
4	SFW4R-1/2STGE5LF	22.4	16	—
5	SFW5R-1/2STGE5LF	30.4	24	—
6	SFW6R-1/2STGE5LF	30.4	24	—
7	SFW7R-1/2STGE5LF	30.4	24	—
8	SFW8R-1/2STGE5LF	30.4	24	—
9	SFW9R-1/2STGE5LF	30.4	24	—
10	SFW10R-1/2STGE5LF	30.4	24	—
11	SFW11R-1/2STGE5LF	30.4	24	—
12	SFW12R-1/2STGE5LF	30.4	24	—
13	SFW13R-1/2STGE5LF	38.4	32	28.4
14	SFW14R-1/2STGE5LF	38.4	32	28.4
15	SFW15R-1/2STGE5LF	38.4	32	28.4
16	SFW16R-1/2STGE5LF	38.4	32	28.4
17	SFW17R-1/2STGE5LF	50.4	44	40.4
18	SFW18R-1/2STGE5LF	50.4	44	40.4
19	SFW19R-1/2STGE5LF	50.4	44	40.4
20	SFW20R-1/2STGE5LF	50.4	44	40.4
21	SFW21R-1/2STGE5LF	50.4	44	40.4
22	SFW22R-1/2STGE5LF	50.4	44	40.4
23	SFW23R-1/2STGE5LF	50.4	44	40.4
24	SFW24R-1/2STGE5LF	50.4	44	40.4
25	SFW25R-1/2STGE5LF	50.4	44	40.4
26	SFW26R-1/2STGE5LF	50.4	44	40.4
27	SFW27R-1/2STGE5LF	50.4	44	40.4
28	SFW28R-1/2STGE5LF	62.4	56	52.4
29	SFW29R-1/2STGE5LF	62.4	56	52.4
30	SFW30R-1/2STGE5LF	62.4	56	52.4



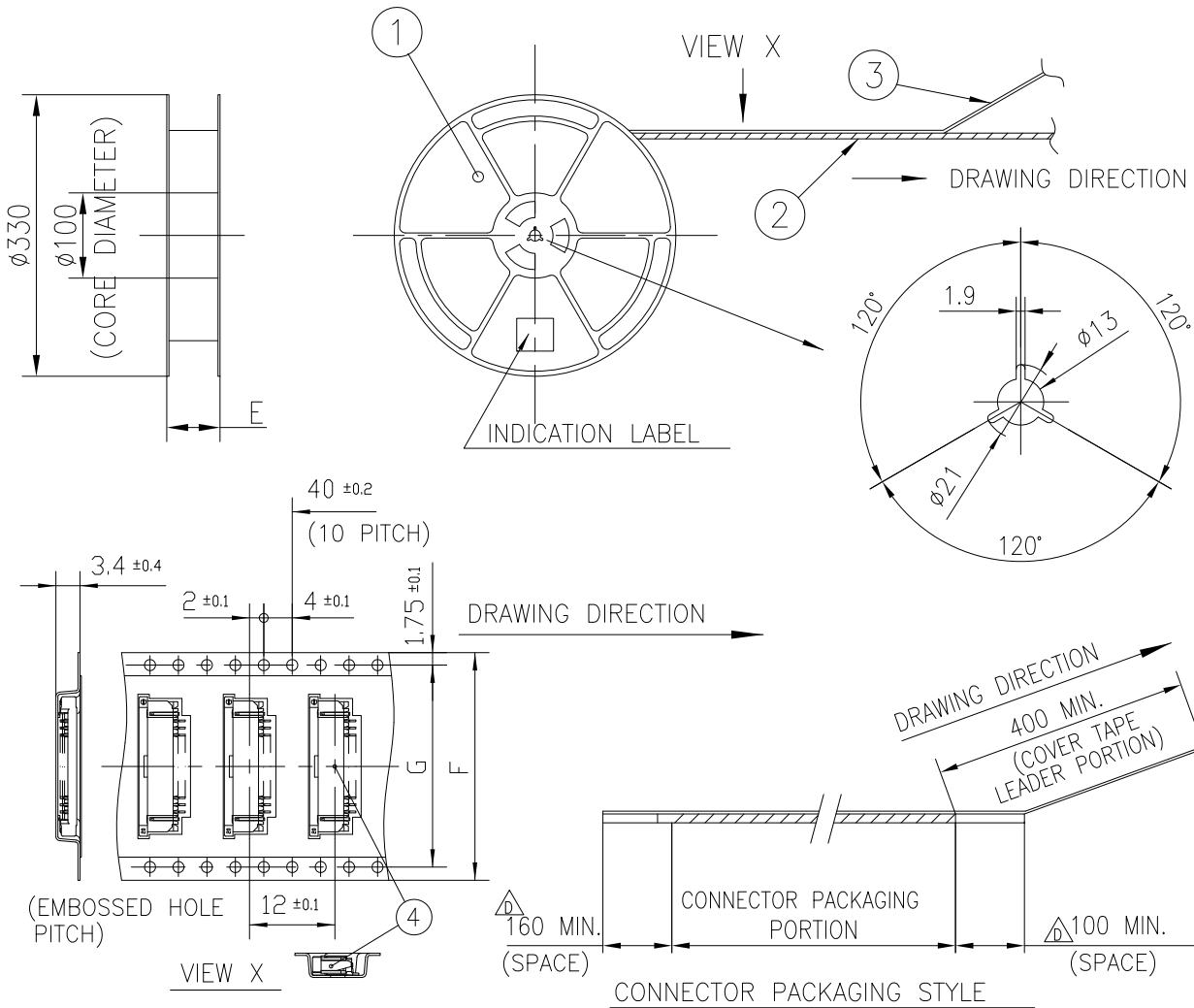
NOTES

1. THIS PRODUCT IS THE CONNECTOR USED FOR FPC AND COPER WITH AUTOMATIC MOUNTING (SMT).
2. THIS CATALOG NO. INDICATES PLASTIC TAPE PACKAGED CONNECTOR.
3. SEE PART DRAWINGS FOR DIMENSIONS E~G.

Amphenol FCI

© 2016 AFCl

mat'l. code		surface ISO 1302 <input checked="" type="checkbox"/>		tolerance ISO 406 ISO 1101		projection		product family 58RF	
ltr	ecn no	dr	date	tolerances unless otherwise specified				title	
D				angles	linear	MM		CAT. NO. TABLE FOR PLASTIC TAPE PACKAGED 1mm SPACING SMT CONNECTOR (Cat. No. SFW__R-1/2STGE5LF)	
				dr	S.WATANABE	2019-3-20	Amphenol FCI	dwg no sheet 5 of 8 size	
				enr	S.WATANABE	2019-3-20		10092072 A4	
				chr	S-H.THIO	2019-3-20			
				appd	Y.KAMEDA	2019-3-20		type Product Customer Drawing	
sheet index	revision sheet								

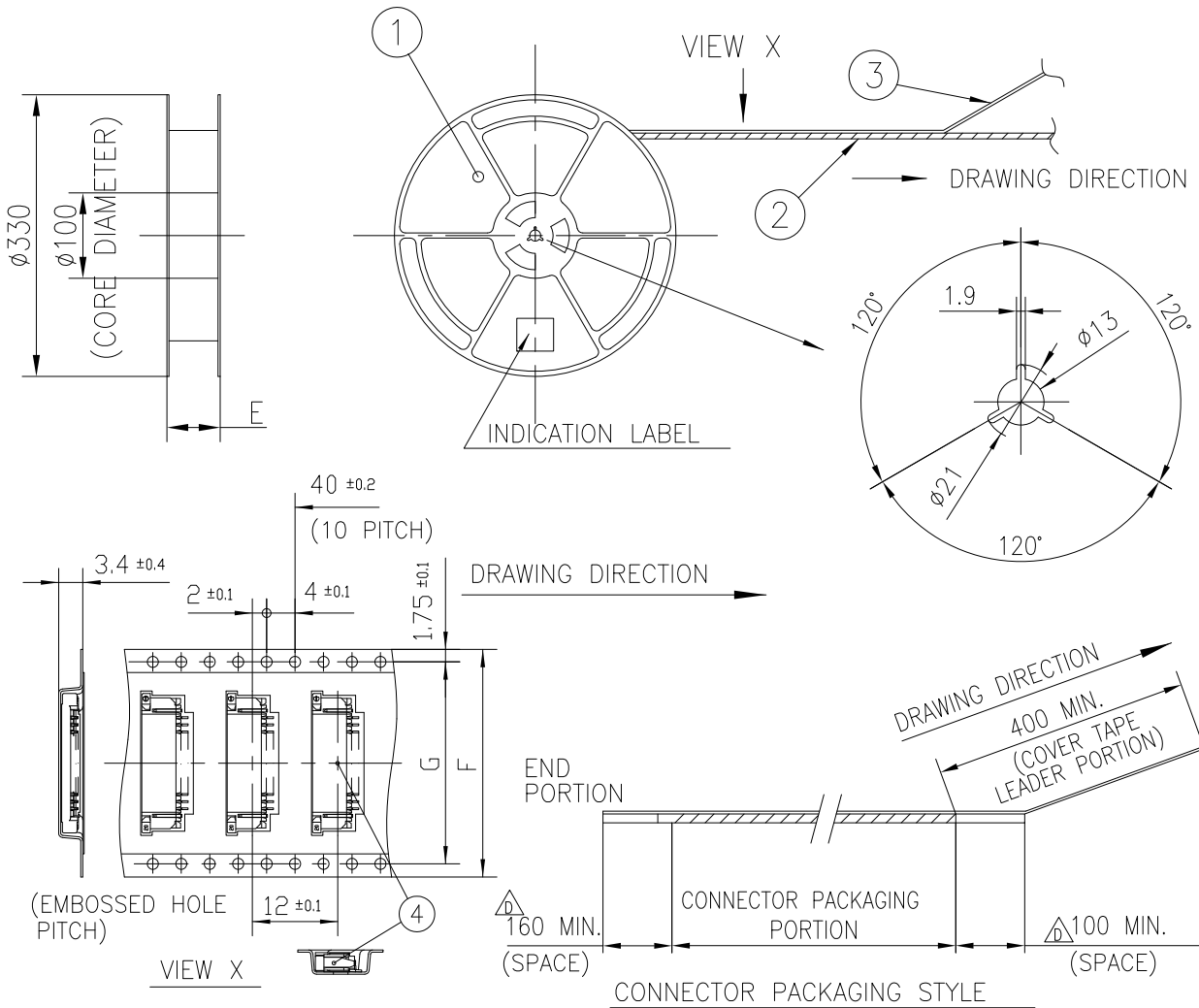


PT. NO.	PARTS NAME	CAT. NO.	MATERIAL	Q'TY	NOTE
1	REEL	_____	POLYSTYRENE	1	COLOR : WHITE or Black
2	PLASTIC (EMBOSS) TAPE	_____	△ PS or A-PET	_____	COLOR : TRANSPARENCY
3	COVER	_____	△ POLYESTER,POLYETHYLENE	_____	COLOR : TRANSPARENCY
4	CONNECTOR	SFW__R-1STG__LF	SEE SHEET 3	1500	LOWER CONTACT TYPE

NOTES

1. THIS IS PLASTIC TAPE PACKAGED CONNECTOR USED FOR FPC AND COPES WITH AUTOMATIC MOUNTING (SMT).
2. SEE JIS C 0806 (PACKING OF ELECTRONIC COMPONENTS ON CONTINUOUS TAPES (SURFACE MOUNTING DEVICES)) FOR SHAPE AND DIMENSIONS OF PLASTIC (EMBOSS) TAPE AND REEL.
3. E DIMENSION IS PORTION OF THE CORE.

mat'l. code		surface ISO 1302		tolerance ISO 406 ISO 1101		projection		product family 58RF	
ltr	ecn no	dr	date	tolerances unless otherwise specified		MM		title	
D				angles	linear	scale N/A		PLASTIC TAPE PACKAGED 1mm SPACING SMT CONNECTOR (Cat. No. SFW__R-1STGE5LF)	
				dr	S.WATANABE	2019-3-20	Amphenol FCi	dwg no sheet 6 of 8 size	
				enr	S.WATANABE	2019-3-20		10092072 A4	
				chr	S-H.THIO	2019-3-20			
				appd	Y.KAMEDA	2019-3-20		type Product Customer Drawing	
sheet index	revision sheet								



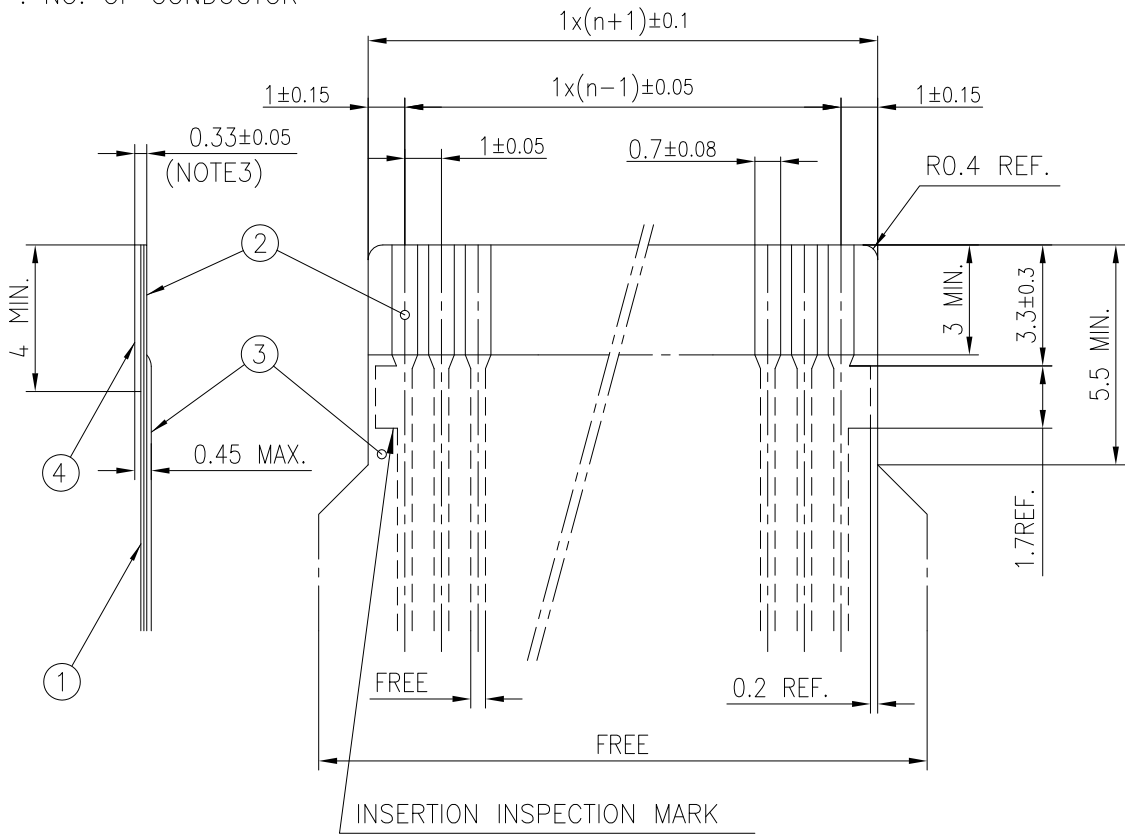
PT. NO.	PARTS NAME	CAT. NO.	MATERIAL	Q'TY	NOTE
1	REEL	_____	POLYSTYRENE	1	COLOR : WHITE or Black
2	PLASTIC (EMBOSS) TAPE	_____	△ PS or A-PET	_____	COLOR : TRANSPARENCY
3	COVER	_____	△ POLYESTER,POLYETHYLENE	_____	COLOR : TRANSPARENCY
4	CONNECTOR	SFW__R-2STG__LF	SEE SHEET4	1500	UPPER CONTACT TYPE

NOTES

- THIS IS PLASTIC TAPE PACKAGED CONNECTOR USED FOR FPC AND COPES WITH AUTOMATIC MOUNTING (SMT).
- SEE JIS C 0806 (PACKING OF ELECTRONIC COMPONENTS ON CONTINUOUS TAPES (SURFACE MOUNTING DEVICES)) FOR SHAPE AND DIMENSIONS OF PLASTIC (EMBOSS) TAPE AND REEL.
- E DIMENSION IS PORTION OF THE CORE.

mat'l. code		surface ISO 1302 ✓		tolerance ISO 406 ISO 1101		projection		product family 58RF	
ltr	ecn no	dr	date	tolerances unless otherwise specified		MM		title	
D				angles	linear	scale N/A		PLASTIC TAPE PACKAGED 1mm SPACING SMT CONNECTOR (Cat. No. SFW__R-2STGE5LF)	
				dr	S.WATANABE	2019-3-20	Amphenol FCi	dwg no sheet 7 of 8 size	
				enr	S.WATANABE	2019-3-20		10092072 A4	
				chr	S-H.THIO	2019-3-20			
				appd	Y.KAMEDA	2019-3-20		type Product Customer Drawing	
sheet index	revision sheet								

RECOMMENDED CABLE (FPC)  
 n : NO. OF CONDUCTOR



PT. NO.	PARTS NAME	MATERIAL	THICKNESS (um)
1	BASE FILM	POLYIMIDE OR POLYESTER OR EQUAL	25
2	CONDUCTOR	COPPER FOIL (PLATING : Ni UNDER PLATING GOLD 0.5um MIN.)	35
3	OVERLAY	POLYIMIDE OR POLYESTER OR EQUAL	—
4	SUPPORTING TAPE	POLYESTER OR POLYIMIDE OR EQUAL	188

- NOTES
1. NO BURR AT EACH PORTION.
  2. NO PEELING IN COMMON USE.
  3. TOTAL THICKNESS LIMIT OF EACH MATERIAL (INCLUDING ADHESIVE AGENT) IS SPECIFIED.

mat'l. code		surface		tolerance		projection		product family	
-		ISO 1302 ✓		ISO 406 ISO 1101				58RF	
ltr	ecn no	dr	date			tolerances unless otherwise specified		title	
D								RECOMMENDED CABLE	
			angles	linear		scale N/A		(Cat. No. SFW__R-1/2STG_)	
			dr	S.WATANABE	2019-3-20			dwg no	
			enr	S.WATANABE	2019-3-20			sheet 8 of 8	
			chr	S-H.THIO	2019-3-20			10092072	
			appd	Y.KAMEDA	2019-3-20			A4	
sheet index		revision sheet						type Product Customer Drawing	