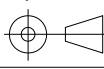
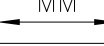



List of "HFW__R-1/2STAE1HLF" customer document

DOCUMENT NO.	LIST
10096547(sheet1)	DOCUMENT LIST
10096547(sheet2)	CAT. NO. TABLE FOR 1mm SPACING SMT CONNECTOR (HFW__R-1/2STA_HLF)
10096547(sheet3)	1mm SPACING SURFACE MOUNT FPC CONNECTOR (HFW__R-1STA_HLF)
10096547(sheet4)	1mm SPACING SURFACE MOUNT FPC CONNECTOR (HFW__R-2STA_HLF)
10096547(sheet5)	CAT. NO. TABLE FOR PLASTIC TAPE PACKAGED 1mm SPACING SMT CONNECTOR (HFW__R-1/2STAE1HLF)
10096547(sheet6)	1mm SPACING SMT CONNECTOR (HFW__R-1STAE1HLF)
10096547(sheet7)	1mm SPACING SMT CONNECTOR (HFW__R-2STAE1HLF)
10096547(sheet8)	RECOMMENDED CABLE (FPC) (HFW__R-1/2STA)
GS-12-598	PRODUCT SPEC.
BJM-HFWR101	HANDLING PROCEDURES

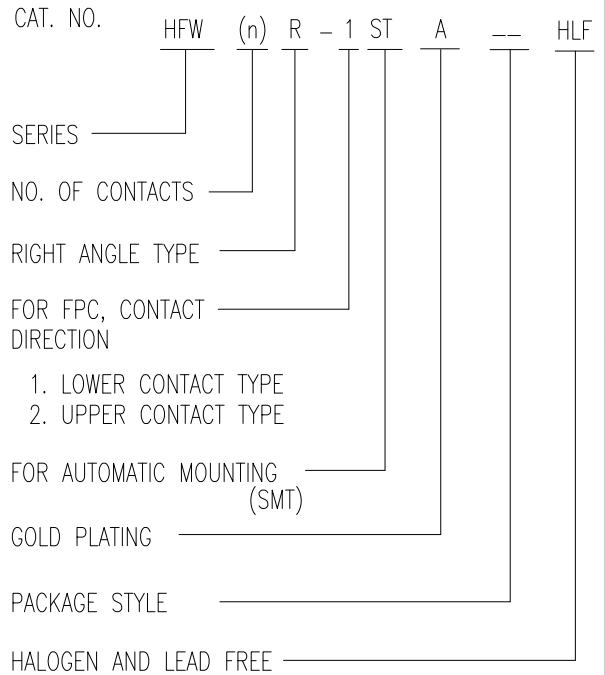
Amphenol FCI

© 2016 AFCl

mat'l. code				surface <input checked="" type="checkbox"/> ISO 1302		tolerance <input checked="" type="checkbox"/> ISO 406 <input type="checkbox"/> ISO 1101		projection 		product family 58NF									
ltr	ecn no	dr	date	tolerances unless otherwise specified						MM 		title							
A	S09-0023	DGOH	09-01-21	angles	linear			scale N/A		1mm SPACING FPC CONNECTOR DOCUMENT LIST (Cat. No. : HFW__R-1/2STAE1HLF)									
B	ELX-J-32905	S.W	2019-3-13							dwg no sheet 1 of 8 size									
				dr	S.WATANABE	2019-3-13				10096547 A4									
				enr	S.WATANABE	2019-3-13				type Product Customer Drawing									
				chr	S-H.THIO	2019-3-13													
				appd	Y.KAMEDA	2019-3-13													
sheet index	revision sheet	B 1	B 2	B 3	B 4	B 5	B 6	B 7	B 8										

CAT. NO. & DIMENSIONS

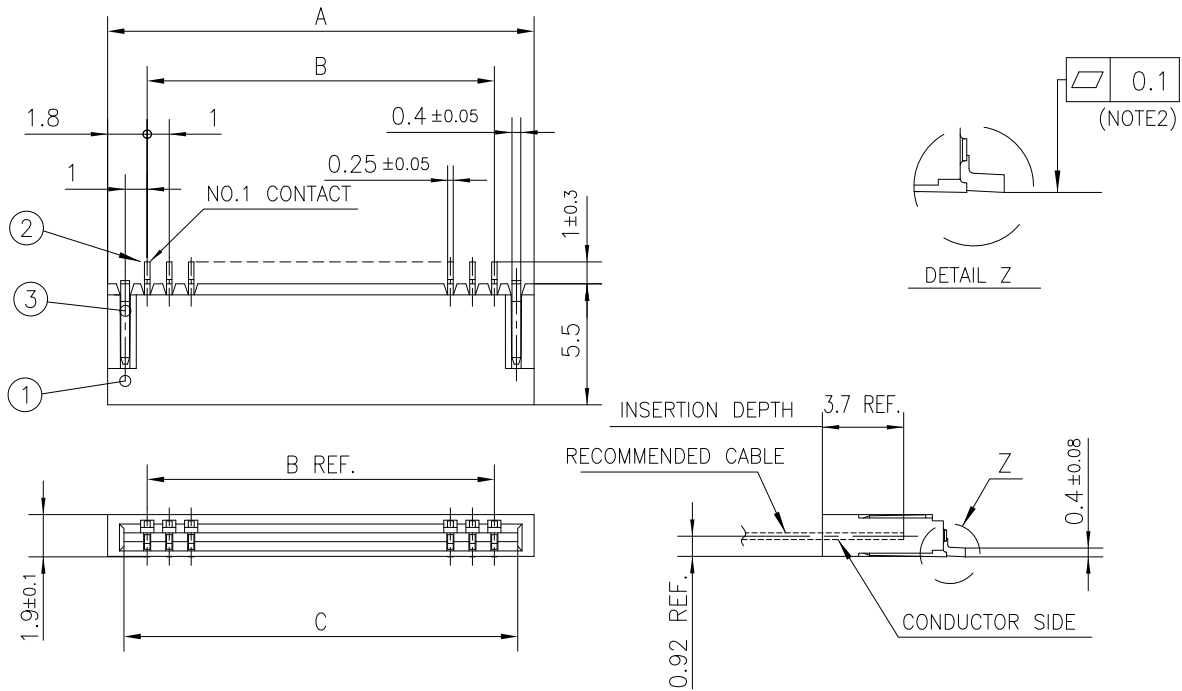
(NOTE3)	NO. OF CONTACTS (n)	CAT. NO.	DIMENSIONS (NOTE2)		
			A ± 0.2	B ± 0.2	C ± 0.1
	4	HFW4R-1/2STA__HLF	6.6	3	5.14
	5	HFW5R-1/2STA__HLF	7.6	4	6.14
	6	HFW6R-1/2STA__HLF	8.6	5	7.14
	7	HFW7R-1/2STA__HLF	9.6	6	8.14
	8	HFW8R-1/2STA__HLF	10.6	7	9.14
	9	HFW9R-1/2STA__HLF	11.6	8	10.14
	10	HFW10R-1/2STA__HLF	12.6	9	11.14
	11	HFW11R-1/2STA__HLF	13.6	10	12.14
	12	HFW12R-1/2STA__HLF	14.6	11	13.14
	13	HFW13R-1/2STA__HLF	15.6	12	14.14
	14	HFW14R-1/2STA__HLF	16.6	13	15.14
	15	HFW15R-1/2STA__HLF	17.6	14	16.14
	16	HFW16R-1/2STA__HLF	18.6	15	17.14
	17	HFW17R-1/2STA__HLF	19.6	16	18.14
	18	HFW18R-1/2STA__HLF	20.6	17	19.14
	19	HFW19R-1/2STA__HLF	21.6	18	20.14
	20	HFW20R-1/2STA__HLF	22.6	19	21.14
	21	HFW21R-1/2STA__HLF	23.6	20	22.14
	22	HFW22R-1/2STA__HLF	24.6	21	23.14
	23	HFW23R-1/2STA__HLF	25.6	22	24.14
	24	HFW24R-1/2STA__HLF	26.6	23	25.14
	25	HFW25R-1/2STA__HLF	27.6	24	26.14
	26	HFW26R-1/2STA__HLF	28.6	25	27.14
	27	HFW27R-1/2STA__HLF	29.6	26	28.14
*	28	HFW28R-1/2STA__HLF	30.6	27	29.14
*	29	HFW29R-1/2STA__HLF	31.6	28	30.14
	30	HFW30R-1/2STA__HLF	32.6	29	31.14



NOTES

1. THIS PRODUCT IS THE CONNECTOR DESIGNED TO TERMINATE FPC AND COPES WITH AUTOMATIC MOUNTING (SMT).
2. SEE PART DRAWINGS FOR DIMENSIONS A~C.
3. PLEASE CONSULT US IN CASE OF USING PARTS WITH * MARK.

mat'l. code		surface ISO 1302		tolerance ISO 406 ISO 1101		projection		product family 58NF	
ltr	ecn no	dr	date	tolerances unless otherwise specified				title	
B				angles	linear	MM		CAT. NO. TABLE FOR 1mm SPACING SMT CONNECTOR (Cat.No. HFW__R-1/2STA__HLF)	
				dr	S.WATANABE	2019-3-13	scale N/A		dwg no
				enr	S.WATANABE	2019-3-13	Amphenol FCI		sheet 2 of 8
				chr	S-H.THIO	2019-3-13	10096547		size A4
				appd	Y.KAMEDA	2019-3-13	Product Customer Drawing		
sheet index	revision sheet								



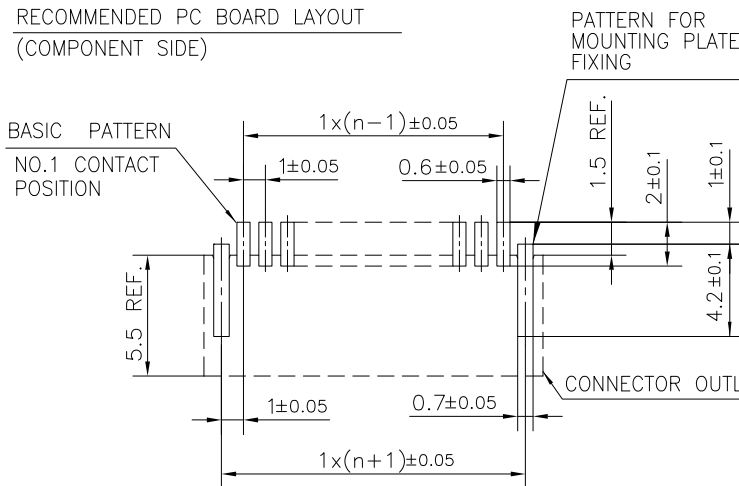
PT. NO.	PARTS NAME	MATERIAL	Q'TY	NOTE
1	HOUSING	PA6T RESIN GLASS REINFORCED (UL94V-0)	1	COLOR : BLACK (HALOGEN FREE)
2	CONTACT	PHOSPHOR BRONZE	n	PLATING : GOLD
3	MOUNTING PLATE		2	PLATING : TIN (LEAD FREE)

n : NO. OF CONTACTS

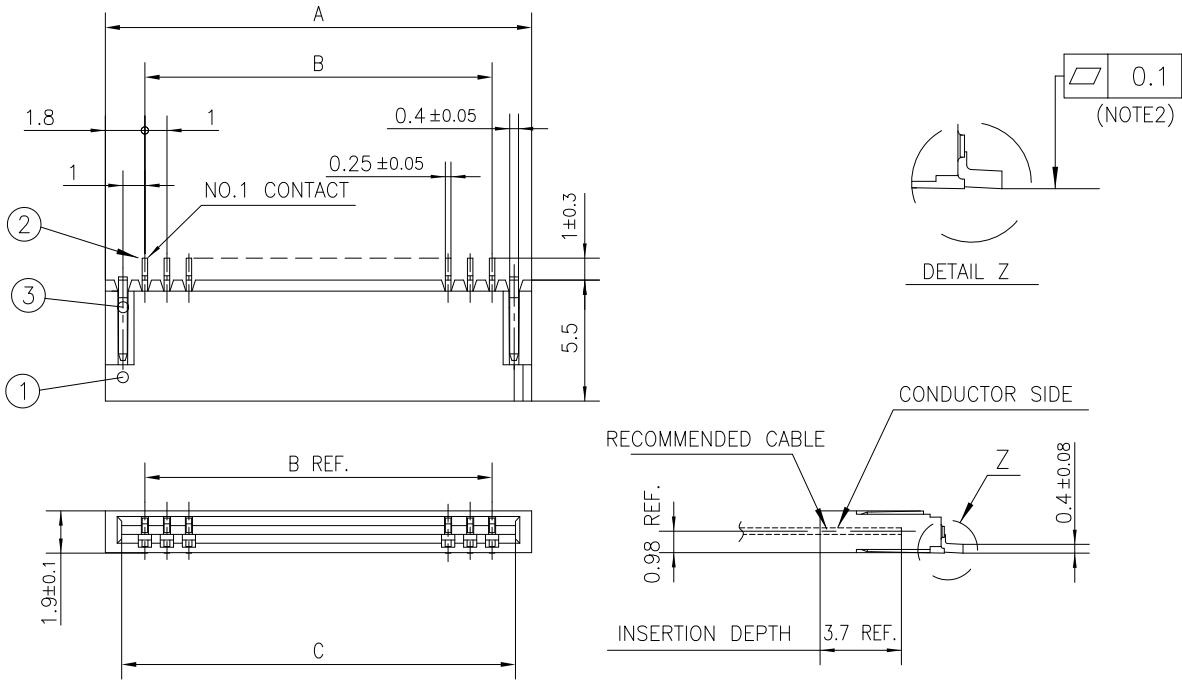
NOTES

1. THIS PRODUCT IS THE CONNECTOR DESIGNED TO TERMINATE FPC AND COPES WITH AUTOMATIC MOUNTING (SMT).
2. FLATNESS OF CONTACT TERMINAL FOR HOUSING MUST BE WITHIN TOLERANCE IN Z PORTION DETAILED DRAWING.
3. THIS PRODUCT IS LOWER CONTACT TYPE CONNECTOR.
4. THIS PRODUCT MEETS EUROPEAN UNION DIRECTIVES AND OTHER COUNTRY REGULATIONS AS DESCRIBED IN GS-22-008
5. THE HOUSING WILL WITHSTAND EXPOSURE TO 260°C PEAK TEMPERATURE FOR 10 SECONDS IN A REFLOW SOLDERING OVEN.

RECOMMENDED PC BOARD LAYOUT (COMPONENT SIDE)



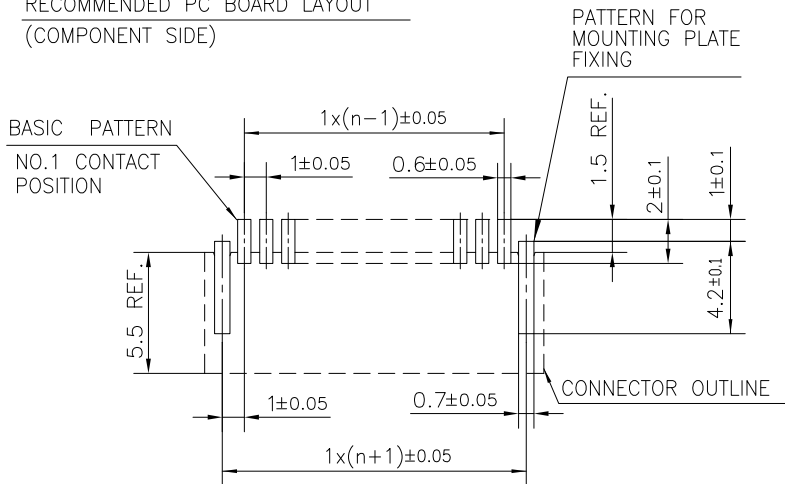
mat'l. code		surface		tolerance		projection		product family	
-		ISO 1302		ISO 406 ISO 1101				58NF	
ltr	ecn no	dr	date	tolerances unless otherwise specified				title	
B				angles	linear			1mm SPACING SURFACE MOUNT FPC CONNECTOR (Cat.No. HFW__R-1STA__HLF)	
				dr	S.WATANABE	2019-3-13	dwg no		sheet 3 of 8
				enr	S.WATANABE	2019-3-13	10096547		size
				chr	S-H.THIO	2019-3-13	Product Customer Drawing		A4
				appd	Y.KAMEDA	2019-3-13			
sheet index	revision sheet								



PT. NO.	PARTS NAME	MATERIAL	Q'TY	NOTE
1	HOUSING	PA6T RESIN GLASS REINFORCED (UL94V-0)	1	COLOR : BLACK (HALOGEN FREE)
2	CONTACT	PHOSPHOR BRONZE	n	PLATING : GOLD
3	MOUNTING PLATE		2	PLATING : TIN (LEAD FREE)

n : NO. OF CONTACTS

RECOMMENDED PC BOARD LAYOUT (COMPONENT SIDE)



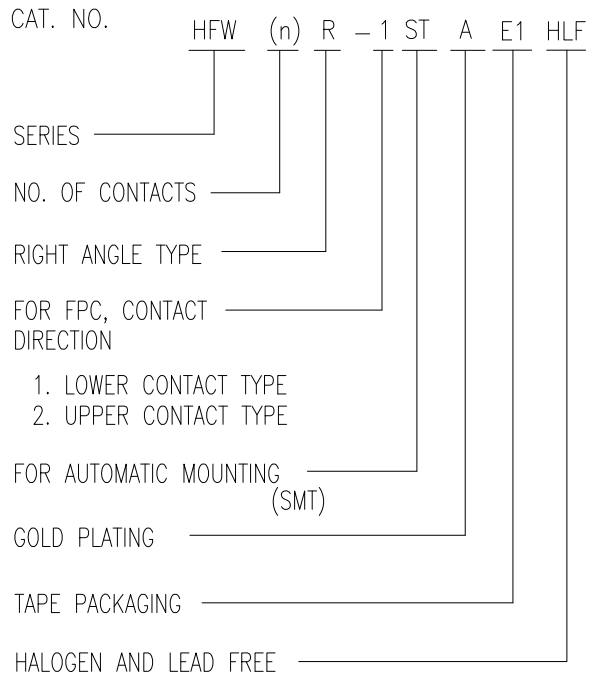
NOTES

1. THIS PRODUCT IS THE CONNECTOR DESIGNED TO TERMINATE FPC AND COPES WITH AUTOMATIC MOUNTING (SMT).
2. FLATNESS OF CONTACT TERMINAL FOR HOUSING MUST BE WITHIN TOLERANCE IN Z PORTION DETAILED DRAWING.
3. THIS PRODUCT IS UPPER CONTACT TYPE CONNECTOR.
4. THIS PRODUCT MEETS EUROPEAN UNION DIRECTIVES AND OTHER COUNTRY REGULATIONS AS DESCRIBED IN GS-22-008
5. THE HOUSING WILL WITHSTAND EXPOSURE TO 260°C PEAK TEMPERATURE FOR 10 SECONDS IN A REFLOW SOLDERING OVEN.

mat'l. code		surface ISO 1302		tolerance ISO 406 ISO 1101		projection		product family 58NF	
ltr	ecn no	dr	date	tolerances unless otherwise specified		MM		title	
B				angles	linear	scale N/A		1mm SPACING SURFACE MOUNT FPC CONNECTOR (Cat.No. HFW__R-2STA__HLF)	
				dr	S.WATANABE	2019-3-13	Amphenol FCI	dwg no sheet 4 of 8 size	
				enr	S.WATANABE	2019-3-13		10096547 A4	
				chr	S-H.THIO	2019-3-13			
				appd	Y.KAMEDA	2019-3-13		type Product Customer Drawing	
sheet index	revision sheet								

CAT. NO. & DIMENSIONS

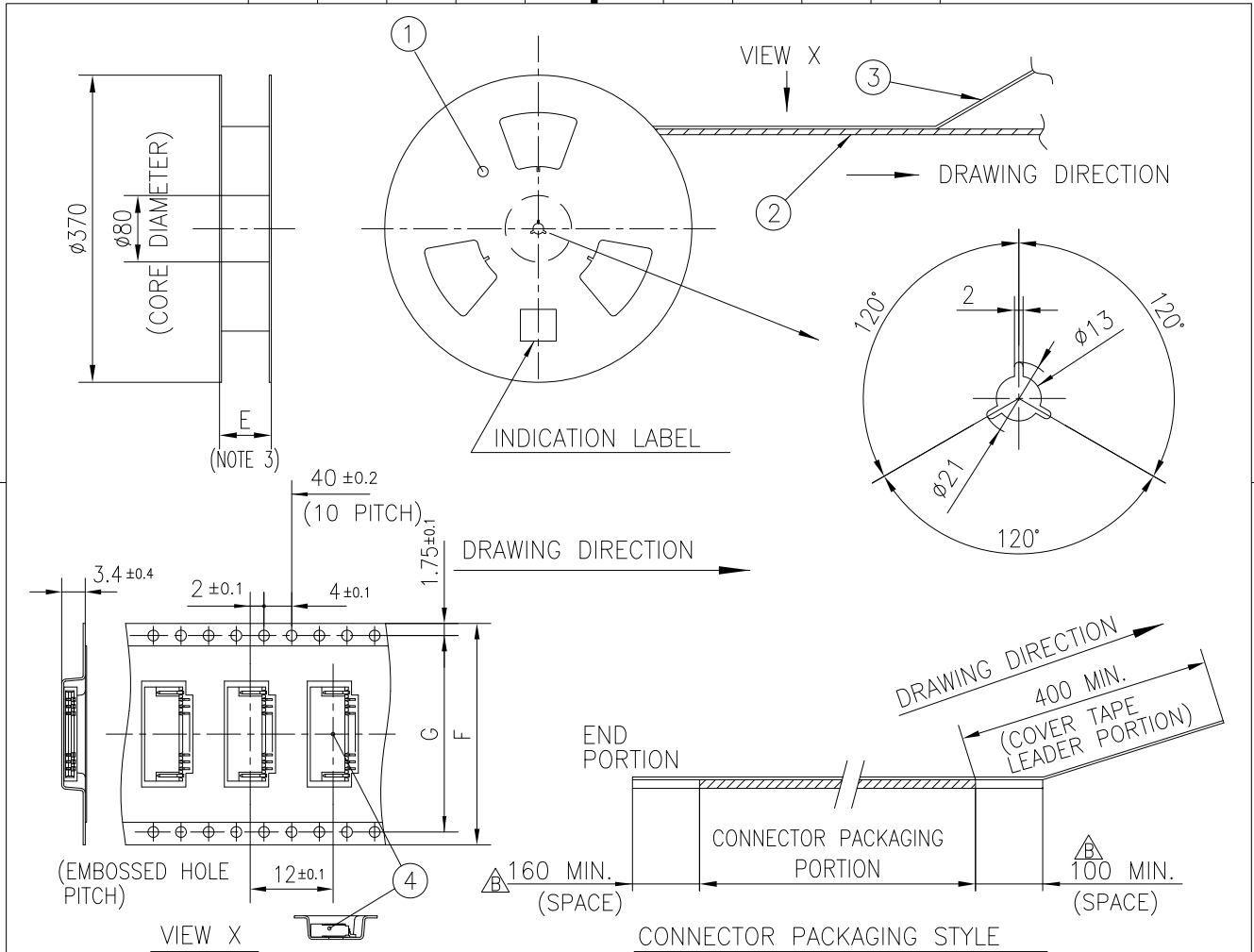
(NOTE4)	NO. OF CONTACTS (n)	CAT. NO. (NOTE2)	DIMENSIONS (NOTE3)		
			E ± 5	F ± 0.3	G ± 0.1
	4	HFW4R-1/2STAE1HLF	28.4	24	—
	5	HFW5R-1/2STAE1HLF	28.4	24	—
	6	HFW6R-1/2STAE1HLF	28.4	24	—
	7	HFW7R-1/2STAE1HLF	28.4	24	—
	8	HFW8R-1/2STAE1HLF	28.4	24	—
	9	HFW9R-1/2STAE1HLF	28.4	24	—
	10	HFW10R-1/2STAE1HLF	28.4	24	—
	11	HFW11R-1/2STAE1HLF	28.4	24	—
	12	HFW12R-1/2STAE1HLF	28.4	24	—
	13	HFW13R-1/2STAE1HLF	28.4	24	—
	14	HFW14R-1/2STAE1HLF	28.4	24	—
	15	HFW15R-1/2STAE1HLF	36.4	32	28.4
	16	HFW16R-1/2STAE1HLF	36.4	32	28.4
	17	HFW17R-1/2STAE1HLF	36.4	32	28.4
	18	HFW18R-1/2STAE1HLF	36.4	32	28.4
	19	HFW19R-1/2STAE1HLF	48.4	44	40.4
	20	HFW20R-1/2STAE1HLF	48.4	44	40.4
	21	HFW21R-1/2STAE1HLF	48.4	44	40.4
	22	HFW22R-1/2STAE1HLF	48.4	44	40.4
	23	HFW23R-1/2STAE1HLF	48.4	44	40.4
	24	HFW24R-1/2STAE1HLF	48.4	44	40.4
	25	HFW25R-1/2STAE1HLF	48.4	44	40.4
	26	HFW26R-1/2STAE1HLF	48.4	44	40.4
	27	HFW27R-1/2STAE1HLF	48.4	44	40.4
*	28	HFW28R-1/2STAE1HLF	48.4	44	40.4
*	29	HFW29R-1/2STAE1HLF	48.4	44	40.4
	30	HFW30R-1/2STAE1HLF	60.4	56	52.4



NOTES

1. THIS PRODUCT IS THE CONNECTOR DESIGNED TO TERMINATE FPC AND COPE WITH AUTOMATIC MOUNTING (SMT).
2. THIS CATALOG NO. INDICATES PLASTIC TAPE PACKAGED CONNECTOR.
3. SEE PART DRAWINGS FOR DIMENSIONS E~G.
4. PLEASE CONSULT US IN CASE OF USING PARTS WITH * MARK.

mat'l. code		surface ISO 1302		tolerance ISO 406 ISO 1101		projection		product family 58NF	
ltr	ecn no	dr	date	tolerances unless otherwise specified		MM		title	
B				angles	linear	scale N/A		CAT. NO. TABLE FOR PLASTIC TAPE PACKAGED 1mm SPACING SMT CONN. (Cat.No. HFWR-1/2STAE1HLF)	
				dr	S.WATANABE	2019-3-13	Amphenol FCI	dwg no sheet 5 of 8 size	
				enr	S.WATANABE	2019-3-13		10096547 A4	
				chr	S-H.THIO	2019-3-13			
				appd	Y.KAMEDA	2019-3-13		type Product Customer Drawing	
sheet index	revision sheet								

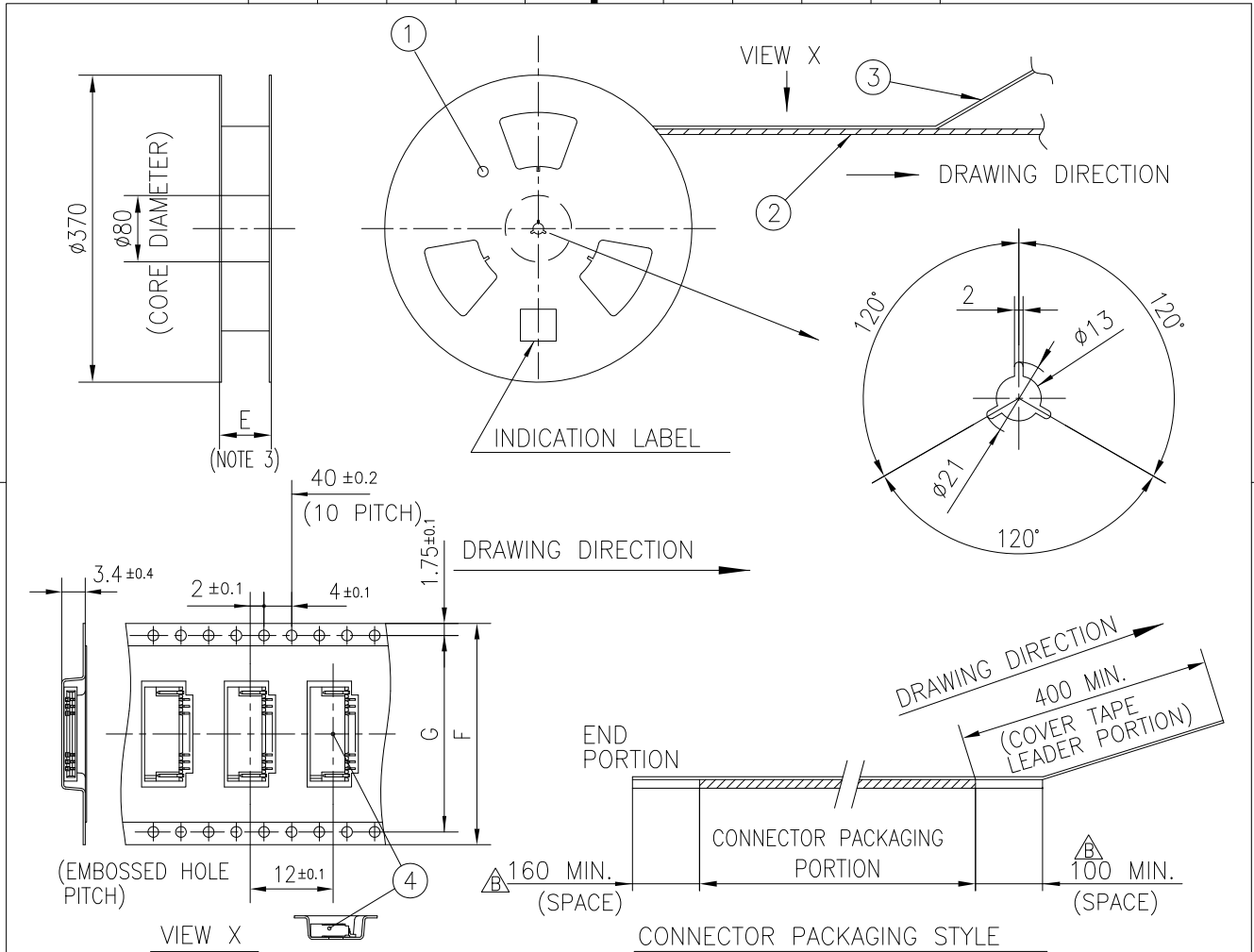


PT. NO.	PARTS NAME	CAT. NO.	MATERIAL	Q'TY	NOTE
1	REEL	—	CARDBOARD	1	COLOR:WHITE
2	PLASTIC (EMBOSSD) TAPE	—	△PS or A-PET	—	COLOR:TRANSPARENCY
3	COVER	—	△POLYESTER,POLYETHYLENE	—	COLOR:TRANSPARENCY
4	CONNECTOR	HFV__R-1STA__HLF	SEE SHEET 3	2000	LOWER CONTACT TYPE

NOTES

- THIS IS PLASTIC TAPE PACKAGED CONNECTOR DESIGNED TO TERMINATE FPC AND COPES WITH AUTOMATIC MOUNTING (SMT).
- SEE JIS C 0806 (PACKING OF ELECTRONIC COMPONENTS ON CONTINUOUS TAPES (SURFACE MOUNTING DEVICES)) FOR SHAPE AND DIMENSIONS OF PLASTIC (EMBOSSD) TAPE AND REEL.
- E DIMENSION IS PORTION OF THE CORE.

mat'l. code		surface ISO 1302		tolerance ISO 406 ISO 1101		projection		product family 58NF	
ltr	ecn no	dr	date	tolerances unless otherwise specified		MM		title	
B				angles	±5	scale N/A		1mm SPACING SMT CONNECTOR (Cat.No. HFV__R-1STAE1HLF)	
				linear	±5'	Amphenol FCI		dwg no sheet 6 of 8 size	
				dr	S.WATANABE	2019-3-13	10096547		△4
				enr	S.WATANABE	2019-3-13	Product Customer Drawing		
				chr	S-H.THIO	2019-3-13			
				appd	Y.KAMEDA	2019-3-13			
sheet index	revision sheet								



PT. NO.	PARTS NAME	CAT. NO.	MATERIAL	Q'TY	NOTE
1	REEL	—	CARDBOARD	1	COLOR:WHITE
2	PLASTIC (EMBOSSD) TAPE	—	△PS or A-PET	—	COLOR:TRANSPARENCY
3	COVER	—	△POLYESTER,POLYETHYLENE	—	COLOR:TRANSPARENCY
4	CONNECTOR	HFV__R-2STA__HLF	SEE SHEET 4	2000	UPPER CONTACT TYPE

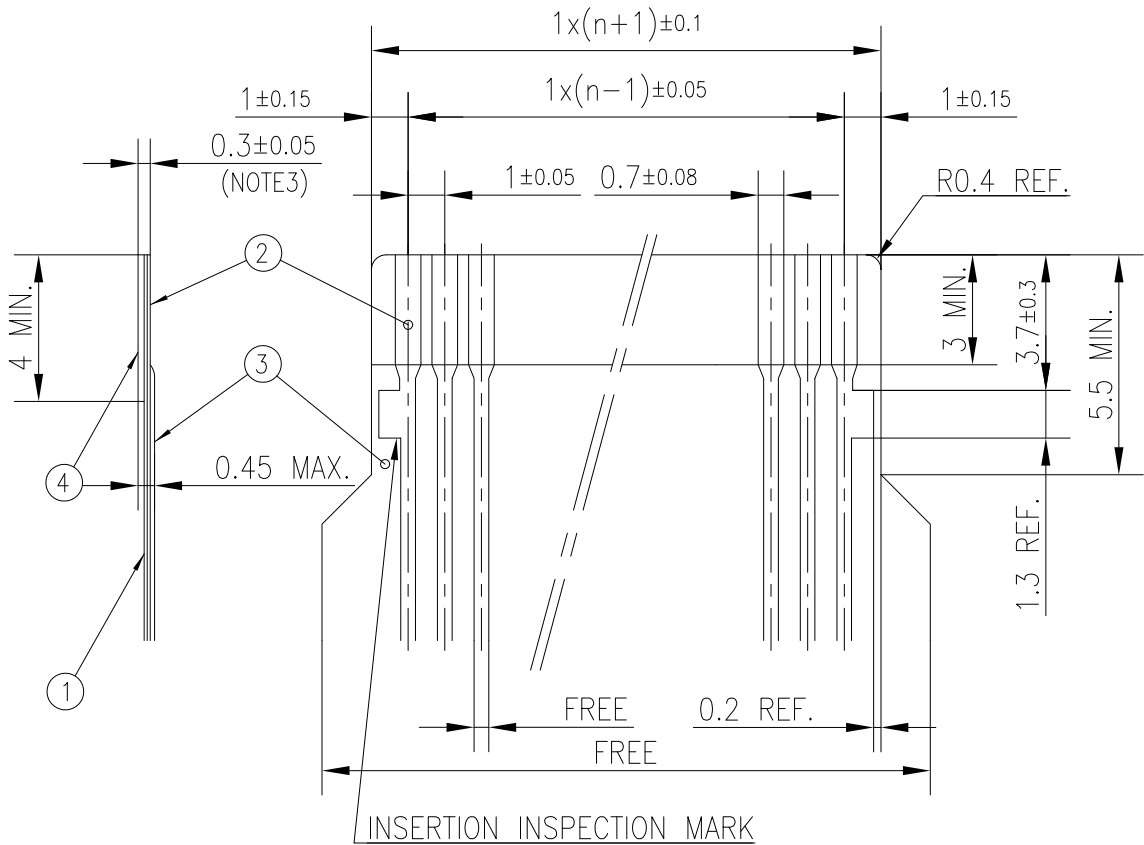
NOTES

- THIS IS PLASTIC TAPE PACKAGED CONNECTOR DESIGNED TO TERMINATE FPC AND COPES WITH AUTOMATIC MOUNTING (SMT).
- SEE JIS C 0806 (PACKING OF ELECTRONIC COMPONENTS ON CONTINUOUS TAPES (SURFACE MOUNTING DEVICES)) FOR SHAPE AND DIMENSIONS OF PLASTIC (EMBOSSD) TAPE AND REEL.
- E DIMENSION IS PORTION OF THE CORE.

mat'l. code		surface ISO 1302 ✓		tolerance ISO 406 ISO 1101		projection		product family 58NF	
ltr	ecn no	dr	date	tolerances unless otherwise specified		MM		title	
B				angles	±5	scale N/A		1mm SPACING SMT CONNECTOR (Cat.No. HFV__R-2STAE1HLF)	
				linear	±5'	Amphenol FCI		dwg no sheet 7 of 8 size	
				dr	S.WATANABE	2019-3-13	10096547		△4
				enr	S.WATANABE	2019-3-13	Product Customer Drawing		
				chr	S-H.THIO	2019-3-13			
				appd	Y.KAMEDA	2019-3-13			
sheet index	revision sheet								

RECOMMENDED CABLE (FPC)

n : NO. OF CONDUCTORS



PT. NO.	DESCRIPTION	MATERIAL	THICKNESS (um)
1	BASE FILM	POLYIMIDE OR POLYESTER OR EQUIVALENT	25
2	CONDUCTOR	COPPER FOIL (PLATING : GOLD)	35
3	OVERLAY	POLYIMIDE OR POLYESTER OR EQUIVALENT	—
4	SUPPORTING TAPE	POLYESTER OR POLYIMIDE OR EQUIVALENT	188

NOTES

1. NO BURR AT EACH PORTION.
2. NO PEELING IN COMMON USE.
3. TOTAL THICKNESS LIMIT OF EACH MATERIAL (INCLUDING ADHESIVE AGENT) IS SPECIFIED.

Amphenol FCI

© 2016 AFCl

©

©

mat'l. code		surface ISO 1302 <input checked="" type="checkbox"/>		tolerance ISO 406 ISO 1101		projection		product family 58NF		
ltr	ecn no	dr	date	tolerances unless otherwise specified				title		
B				angles	linear	MM		RECOMMENDED CABLE		
						scale N/A		(Cat. No. HFW__R-1/2STA__)		
		dr	S.WATANABE	2019-3-13				dwg no		
		enr	S.WATANABE	2019-3-13	sheet 8 of 8			size		
		chr	S-H.THIO	2019-3-13	10096547			A4		
		appd	Y.KAMEDA	2019-3-13	Product Customer Drawing					
sheet index	revision sheet									