

List of "SFW__R-1/2STE5LF" customer document

DOCUMENT NO.	LIST
10100522(SHEET1)	DOCUMENT LIST
10100522(SHEET2)	CAT.NO.TABLE FOR 1mm SPACING SMT CONNECTOR (SFW__R-1/2ST__LF)
10100522(SHEET3)	1mm SPACING SMT CONNECTOR (SFW__R-1ST_LF)
10100522(SHEET4)	1mm SPACING SMT CONNECTOR (SFW__R-2ST_LF)
10100522(SHEET5)	CAT.NO.TABLE FOR PLASTIC TAPE PACKAGED 1mm SPACING SMT CONNECTOR (SFW__R-1/2STE5LF)
10100522(SHEET6)	PLASTIC TAPE PACKAGED 1mm SPACING SMT CONNECTOR (SFW__R-1STE5LF)
10100522(SHEET7)	PLASTIC TAPE PACKAGED 1mm SPACING SMT CONNECTOR (SFW__R-2STE5LF)
10100522(SHEET8)	RECOMMENDED CABLE (FPC) (SFW__R-1/2ST_)
10100522(SHEET9)	RECOMMENDED CABLE (FFC) (SFW__R-1/2ST_)
SC-SFW10	PRODUCT SPECIFICATION
GS-20-129	HANDLING PROCEDURES

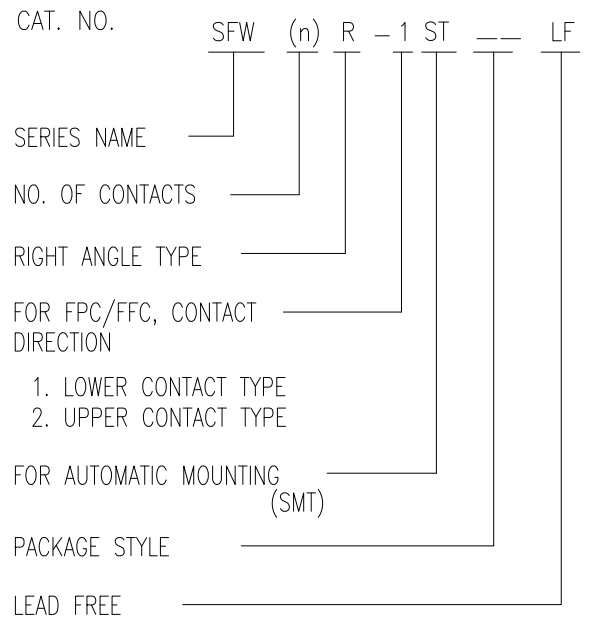
Amphenol FCI

© 2016 AFCl

mat'l. code				surface ISO 1302 <input checked="" type="checkbox"/>		tolerance ISO 406 ISO 1101		projection		product family 58RF									
ltr	ecn no	dr	date	tolerances unless otherwise specified						title 1mm SPACING FPC/FFC CONNECTOR DOCUMENT LIST (Cat. No. : SFW__R-1/2STE5LF)									
A	S09-0120	DGOH	2009-4-17	angles	linear			scale N/A		dwg no sheet 1 of 9 size									
B	J09-0356	M.Y	2009-10-2					Amphenol FCI		10100522 A4									
C	J09-0380	M.Y	2009-10-27							type Product Customer Drawing									
D	ELX-J-32971	S.W	2019-3-20	dr	S.WATANABE	2019-3-20													
				enr	S.WATANABE	2019-3-20													
				chr	S-H.THIO	2019-3-20													
				appd	Y.KAMEDA	2019-3-20													
sheet index	revision sheet	D	D	D	D	D	D	D	D	D									
		1	2	3	4	5	6	7	8	9									

CAT. NO. & DIMENSIONS

NO. OF CONTACTS (n)	CAT. NO.	DIMENSIONS (NOTE2)			
		A ± 0.2	B ± 0.2	C ± 0.2	D ± 0.1
4	SFW4R-1/2ST__LF	9.8	8.6	3.0	5.3
5	SFW5R-1/2ST__LF	10.8	9.6	4.0	6.3
6	SFW6R-1/2ST__LF	11.8	10.6	5.0	7.3
7	SFW7R-1/2ST__LF	12.8	11.6	6.0	8.3
8	SFW8R-1/2ST__LF	13.8	12.6	7.0	9.3
9	SFW9R-1/2ST__LF	14.8	13.6	8.0	10.3
10	SFW10R-1/2ST__LF	15.8	14.6	9.0	11.3
11	SFW11R-1/2ST__LF	16.8	15.6	10.0	12.3
12	SFW12R-1/2ST__LF	17.8	16.6	11.0	13.3
13	SFW13R-1/2ST__LF	18.8	17.6	12.0	14.3
14	SFW14R-1/2ST__LF	19.8	18.6	13.0	15.3
15	SFW15R-1/2ST__LF	20.8	19.6	14.0	16.3
16	SFW16R-1/2ST__LF	21.8	20.6	15.0	17.3
17	SFW17R-1/2ST__LF	22.8	21.6	16.0	18.3
18	SFW18R-1/2ST__LF	23.8	22.6	17.0	19.3
19	SFW19R-1/2ST__LF	24.8	23.6	18.0	20.3
20	SFW20R-1/2ST__LF	25.8	24.6	19.0	21.3
21	SFW21R-1/2ST__LF	26.8	25.6	20.0	22.3
22	SFW22R-1/2ST__LF	27.8	26.6	21.0	23.3
23	SFW23R-1/2ST__LF	28.8	27.6	22.0	24.3
24	SFW24R-1/2ST__LF	29.8	28.6	23.0	25.3
25	SFW25R-1/2ST__LF	30.8	29.6	24.0	26.3
26	SFW26R-1/2ST__LF	31.8	30.6	25.0	27.3
27	SFW27R-1/2ST__LF	32.8	31.6	26.0	28.3
28	SFW28R-1/2ST__LF	33.8	32.6	27.0	29.3
29	SFW29R-1/2ST__LF	34.8	33.6	28.0	30.3
30	SFW30R-1/2ST__LF	35.8	34.6	29.0	31.3



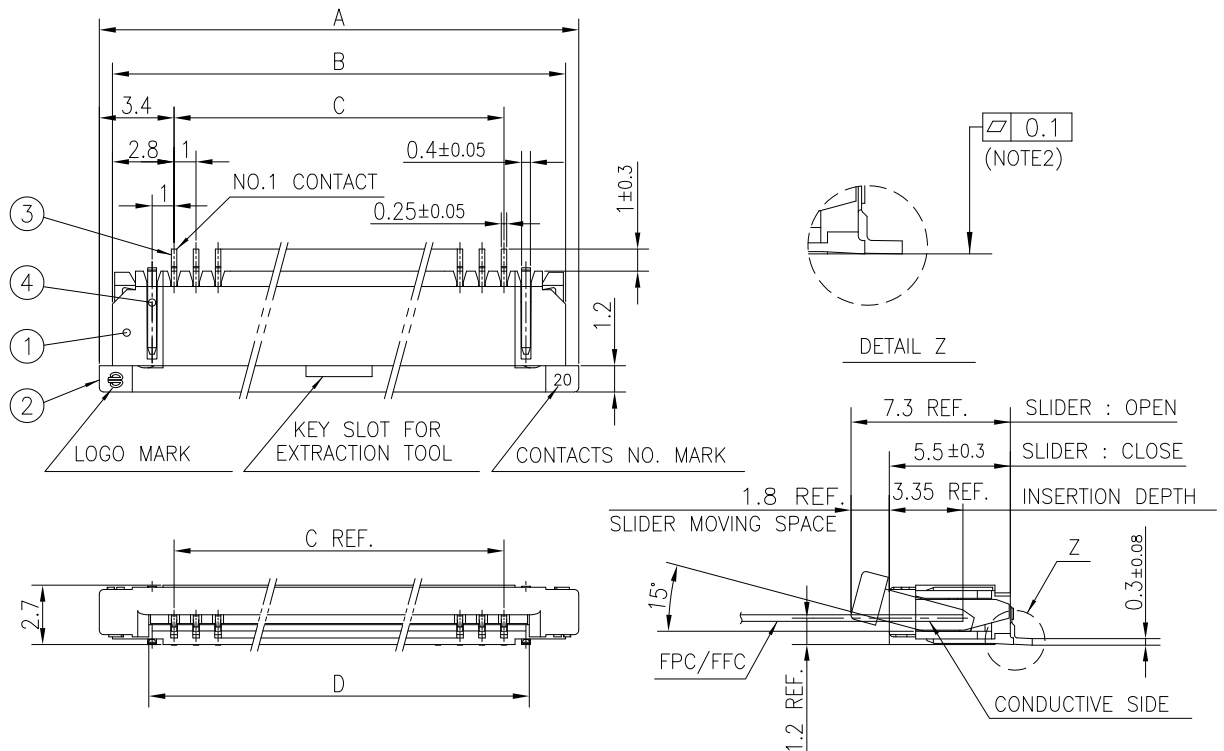
NOTES

1. THIS PRODUCT IS THE CONNECTOR USED FOR FPC/FFC AND COPEs WITH AUTOMATIC MOUNTING (SMT).
2. SEE PART DRAWINGS FOR DIMENSIONS A~D.

Amphenol FCI

© 2016 AFCl

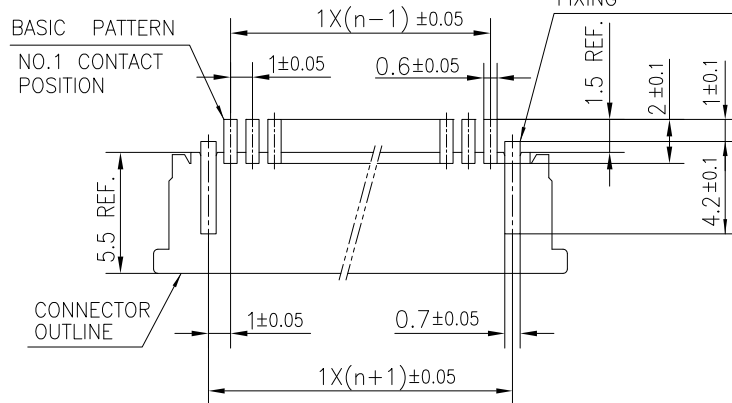
mat'l. code		surface ISO 1302 <input checked="" type="checkbox"/>		tolerance ISO 406 ISO 1101		projection		product family 58RF			
ltr	ecn no	dr	date	tolerances unless otherwise specified		MM		title CAT. NO. TABLE FOR 1mm SPACING SMT CONNECTOR (Cat. No. : SFW__R-1/2ST__LF)			
D				angles	linear	scale N/A		dwg no		sheet 2 of 9	size
				dr	S.WATANABE	2019-3-20		10100522			A4
				enr	S.WATANABE	2019-3-20		type Product Customer Drawing			
				chr	S-H.THIO	2019-3-20					
				appd	Y.KAMEDA	2019-3-20					
sheet index	revision sheet										



PT. NO.	PARTS NAME	MATERIAL	Q'TY	NOTE
1	HOUSING	PPS RESIN GLASS REINFORCED (UL94V-0)	1	COLOR : BROWN
2	SLIDER	PPS RESIN GLASS REINFORCED (UL94V-0)	1	COLOR : BLACK
3	CONTACT	PHOSPHOR BRONZE	n	PLATING : TIN
4	MOUNTING PLATE	PHOSPHOR BRONZE	2	PLATING : TIN

n : NO. OF CONTACTS

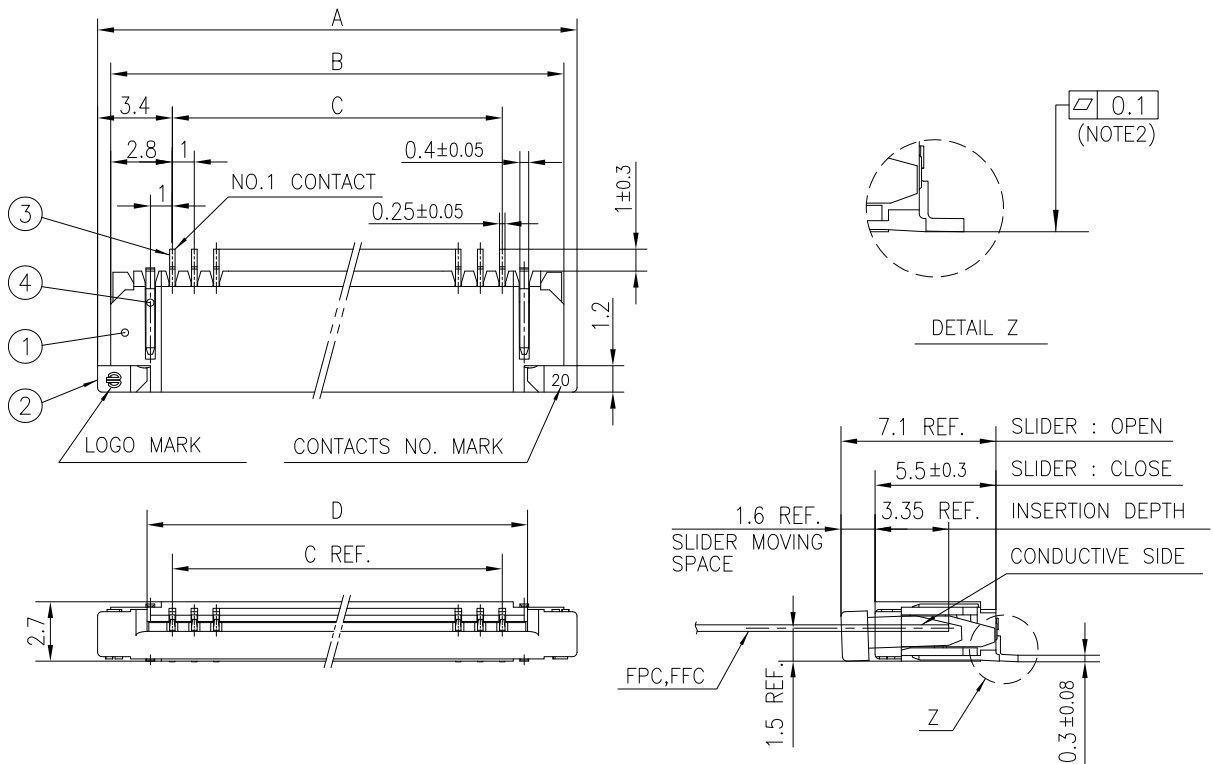
RECOMMENDED PC BOARD LAYOUT
(COMPONENT SIDE)



NOTES

1. THIS PRODUCT IS THE CONNECTOR USED FOR FPC/FFC AND COPES WITH AUTOMATIC MOUNTING (SMT).
2. FLATNESS FOR CONTACT TERMINAL HOUSING MUST BE WITHIN TOLERANCE IN Z PORTION DETAILED DRAWING.
3. THIS PRODUCT IS LOWER CONTACT TYPE CONNECTOR.
4. THIS PRODUCT MEETS EUROPEAN UNION DIRECTIVES AND OTHER COUNTRY REGULATIONS AS DESCRIBED IN GS-22-008
5. THE HOUSING WILL WITHSTAND EXPOSURE TO 260°C PEAK TEMPERATURE FOR 10 SECONDS IN A REFLOW SOLDERING OVEN.

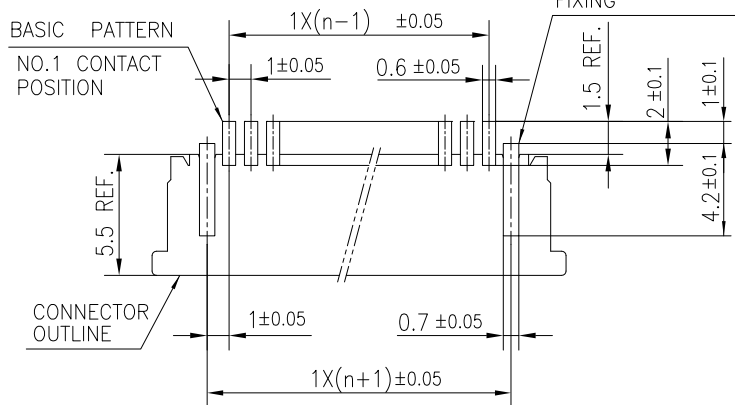
mat'l. code		surface ISO 1302		tolerance ISO 406 ISO 1101		projection		product family 58RF	
ltr	ecn no	dr	date	tolerances unless otherwise specified		MM		title	
D				angles	linear	scale N/A		1mm SPACING SMT CONNECTOR (Cat. No. SFW__R-1ST__LF)	
			dr	S.WATANABE	2019-3-20	Amphenol FCi		dwg no sheet 3 of 9 size	
			enr	S.WATANABE	2019-3-20			10100522 A4	
			chr	S-H.THIO	2019-3-20				
			appd	Y.KAMEDA	2019-3-20				
sheet index	revision sheet							type Product Customer Drawing	



PT. NO.	PARTS NAME	MATERIAL	Q'TY	NOTE
1	HOUSING	PPS RESIN GLASS REINFORCED (UL94V-0)	1	COLOR : BROWN
2	SLIDER	PPS RESIN GLASS REINFORCED (UL94V-0)	1	COLOR : BLACK
3	CONTACT	PHOSPHOR BRONZE	n	PLATING : TIN
4	MOUNTING PLATE	PHOSPHOR BRONZE	2	PLATING : TIN

n : NO. OF CONTACTS

RECOMMENDED PC BOARD LAYOUT (COMPONENT SIDE)



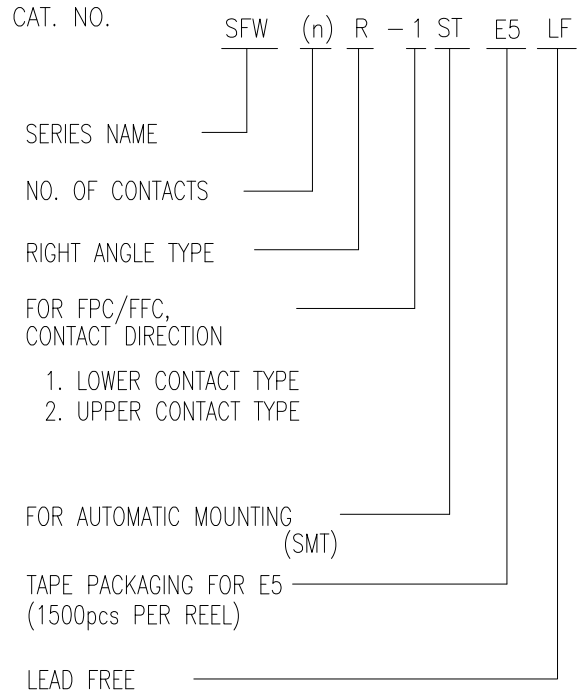
NOTES

1. THIS PRODUCT IS THE CONNECTOR USED FOR FPC/FFC AND COPES WITH AUTOMATIC MOUNTING (SMT).
2. FLATNESS FOR CONTACT TERMINAL HOUSING MUST BE WITHIN TOLERANCE IN Z PORTION DETAILED DRAWING.
3. THIS PRODUCT IS UPPER CONTACT TYPE CONNECTOR.
4. THIS PRODUCT MEETS EUROPEAN UNION DIRECTIVES AND OTHER COUNTRY REGULATIONS AS DESCRIBED IN GS-22-008
5. THE HOUSING WILL WITHSTAND EXPOSURE TO 260°C PEAK TEMPERATURE FOR 10 SECONDS IN A REFLOW SOLDERING OVEN.

mat'l. code		surface ISO 1302		tolerance ISO 406 ISO 1101		projection		product family 58RF	
ltr	ecn no	dr	date	tolerances unless otherwise specified		MM		title	
D				angles	linear	scale N/A		1mm SPACING SMT CONNECTOR (Cat. No. SFW__R-2ST__LF)	
				dr	S.WATANABE	2019-3-20	Amphenol FCI	dwg no sheet 4 of 9 size	
				enr	S.WATANABE	2019-3-20		10100522 A4	
				chr	S-H.THIO	2019-3-20			
				appd	Y.KAMEDA	2019-3-20		type Product Customer Drawing	
sheet index	revision sheet								

CAT. NO. & DIMENSIONS

NO. OF CONTACTS (n)	CAT. NO. (NOTE2)	DIMENSIONS (NOTE3)		
		E MAX.	F ± 0.3	G ± 0.1
4	SFW4R-1/2STE5LF	22.4	16	—
5	SFW5R-1/2STE5LF	30.4	24	—
6	SFW6R-1/2STE5LF	30.4	24	—
7	SFW7R-1/2STE5LF	30.4	24	—
8	SFW8R-1/2STE5LF	30.4	24	—
9	SFW9R-1/2STE5LF	30.4	24	—
10	SFW10R-1/2STE5LF	30.4	24	—
11	SFW11R-1/2STE5LF	30.4	24	—
12	SFW12R-1/2STE5LF	30.4	24	—
13	SFW13R-1/2STE5LF	38.4	32	28.4
14	SFW14R-1/2STE5LF	38.4	32	28.4
15	SFW15R-1/2STE5LF	38.4	32	28.4
16	SFW16R-1/2STE5LF	38.4	32	28.4
17	SFW17R-1/2STE5LF	50.4	44	40.4
18	SFW18R-1/2STE5LF	50.4	44	40.4
19	SFW19R-1/2STE5LF	50.4	44	40.4
20	SFW20R-1/2STE5LF	50.4	44	40.4
21	SFW21R-1/2STE5LF	50.4	44	40.4
22	SFW22R-1/2STE5LF	50.4	44	40.4
23	SFW23R-1/2STE5LF	50.4	44	40.4
24	SFW24R-1/2STE5LF	50.4	44	40.4
25	SFW25R-1/2STE5LF	50.4	44	40.4
26	SFW26R-1/2STE5LF	50.4	44	40.4
27	SFW27R-1/2STE5LF	50.4	44	40.4
28	SFW28R-1/2STE5LF	62.4	56	52.4
29	SFW29R-1/2STE5LF	62.4	56	52.4
30	SFW30R-1/2STE5LF	62.4	56	52.4



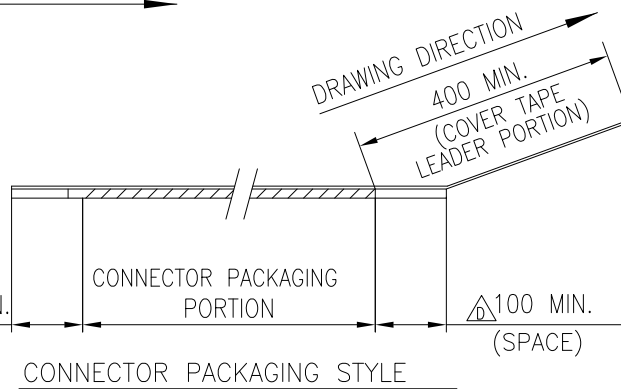
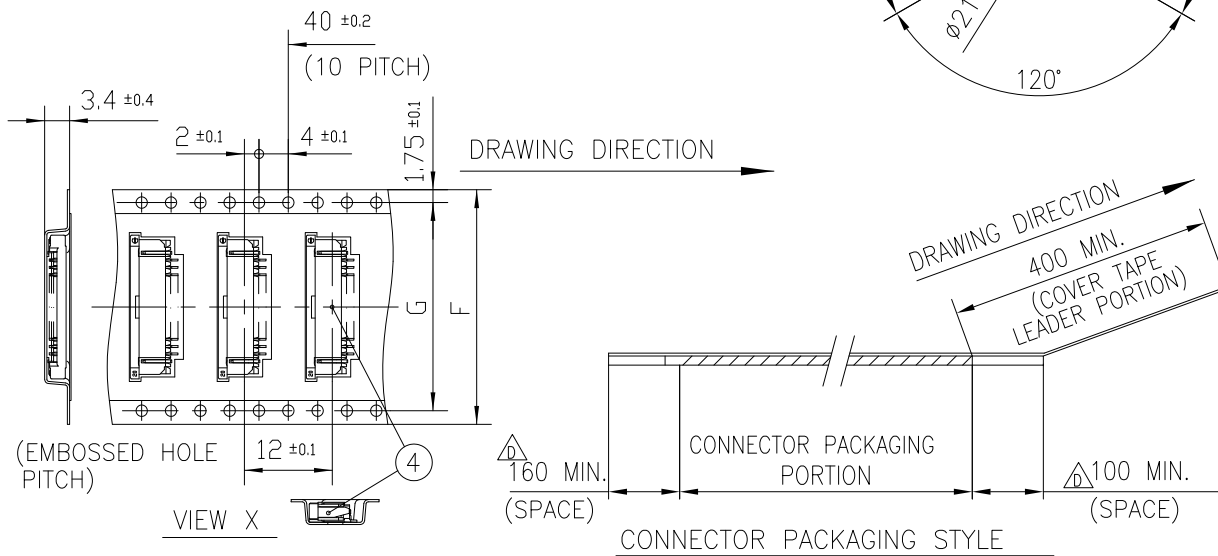
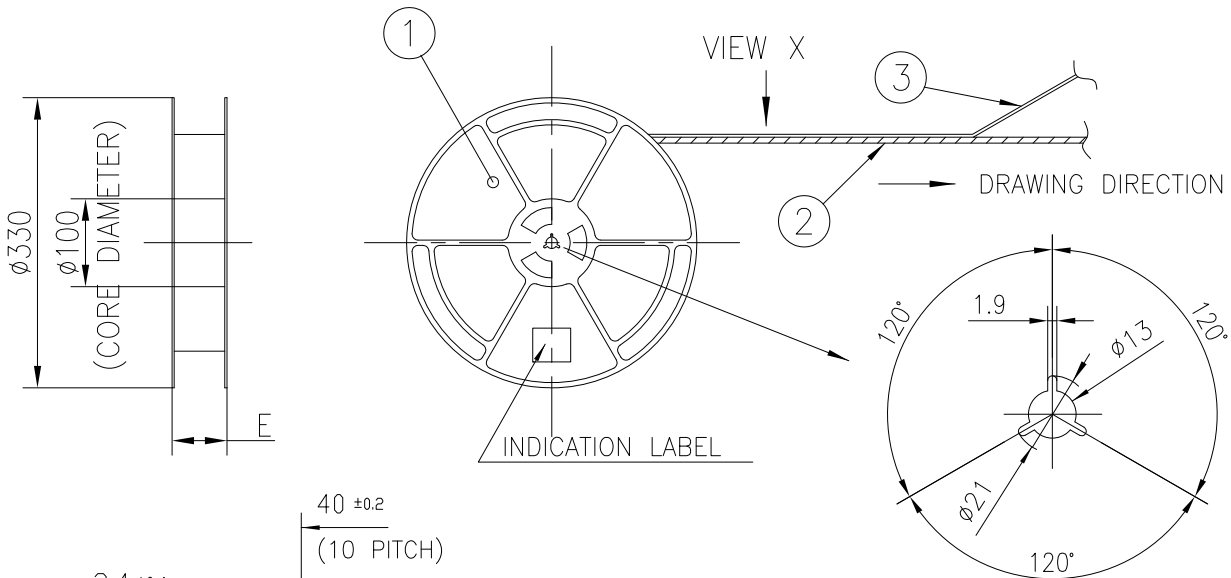
NOTES

1. THIS PRODUCT IS THE CONNECTOR USED FOR FPC/FFC AND COPES WITH AUTOMATIC MOUNTING (SMT).
2. THIS CATALOG NO. INDICATES PLASTIC TAPE PACKAGED CONNECTOR.
3. SEE PART DRAWINGS FOR DIMENSIONS E~G.

Amphenol FCI

© 2016 AFCl

mat'l. code		surface ISO 1302 <input checked="" type="checkbox"/>		tolerance ISO 406 ISO 1101		projection		product family 58RF			
ltr	ecn no	dr	date		tolerances unless otherwise specified		title				
D					angles linear		MM		CAT. NO. TABLE FOR PLASTIC TAPE PACKAGED 1mm SPACING SMT CONNECTOR (Cat. No. SFW__R-1/2STE5LF)		
			dr	S.WATANABE	2019-3-20		scale N/A		dwg no sheet 5 of 9 size		
			enr	S.WATANABE	2019-3-20		Amphenol FCI		10100522 A4		
			chr	S-H.THIO	2019-3-20						
			appd	Y.KAMEDA	2019-3-20						
sheet index		revision sheet									

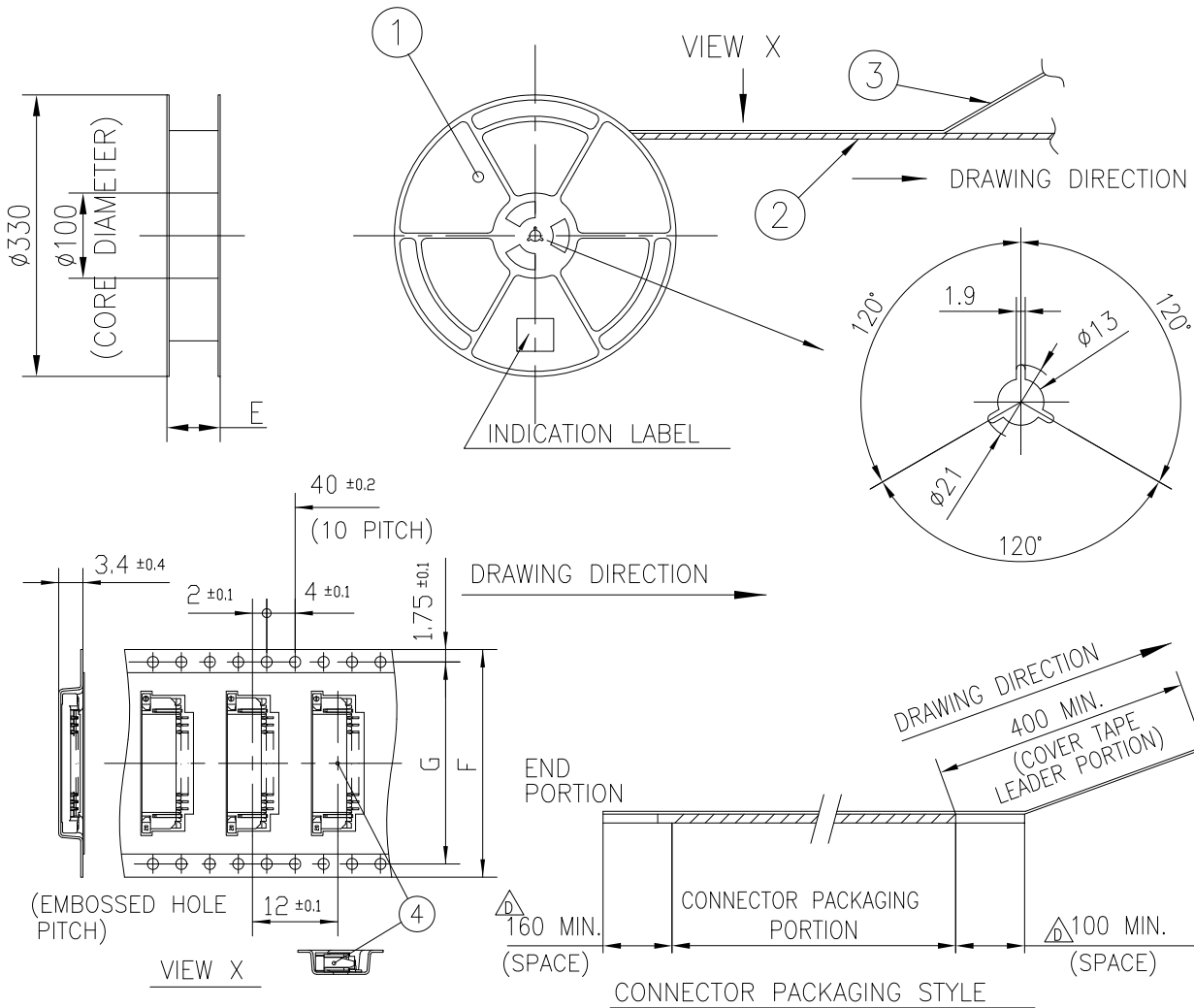


PT. NO.	PARTS NAME	CAT. NO.	MATERIAL	Q'TY	NOTE
1	REEL	_____	POLYSTYRENE	1	COLOR : WHITE or Black
2	PLASTIC (EMBOSS) TAPE	_____	△ PS or A-PET	_____	COLOR : TRANSPARENCY
3	COVER	_____	△ POLYESTER,POLYETHYLENE	_____	COLOR : TRANSPARENCY
4	CONNECTOR	SFW__R-1ST__LF	SEE SHEET 3	1500	LOWER CONTACT TYPE

NOTES

1. THIS IS PLASTIC TAPE PACKAGED CONNECTOR USED FOR FPC/FFC AND COPES WITH AUTOMATIC MOUNTING (SMT).
2. SEE JIS C 0806 (PACKING OF ELECTRONIC COMPONENTS ON CONTINUOUS TAPES (SURFACE MOUNTING DEVICES)) FOR SHAPE AND DIMENSIONS OF PLASTIC (EMBOSS) TAPE AND REEL.
3. E DIMENSION IS PORTION OF THE CORE.

mat'l. code		surface		tolerance		projection		product family				
-		ISO 1302		ISO 406 ISO 1101				58RF				
ltr	ecn no	dr	date	tolerances unless otherwise specified				title				
D				angles	linear	MM		PLASTIC TAPE PACKAGED 1mm SPACING SMT CONNECTOR (Cat. No. SFW__R-1STE5LF)				
					±5	scale N/A		dwg no				
				dr	S.WATANABE	2019-3-20			sheet 6 of 9			
				enr	S.WATANABE	2019-3-20			10100522		size	
				chr	S-H.THIO	2019-3-20			A4			
				appd	Y.KAMEDA	2019-3-20			type		Product Customer Drawing	
sheet index	revision sheet											



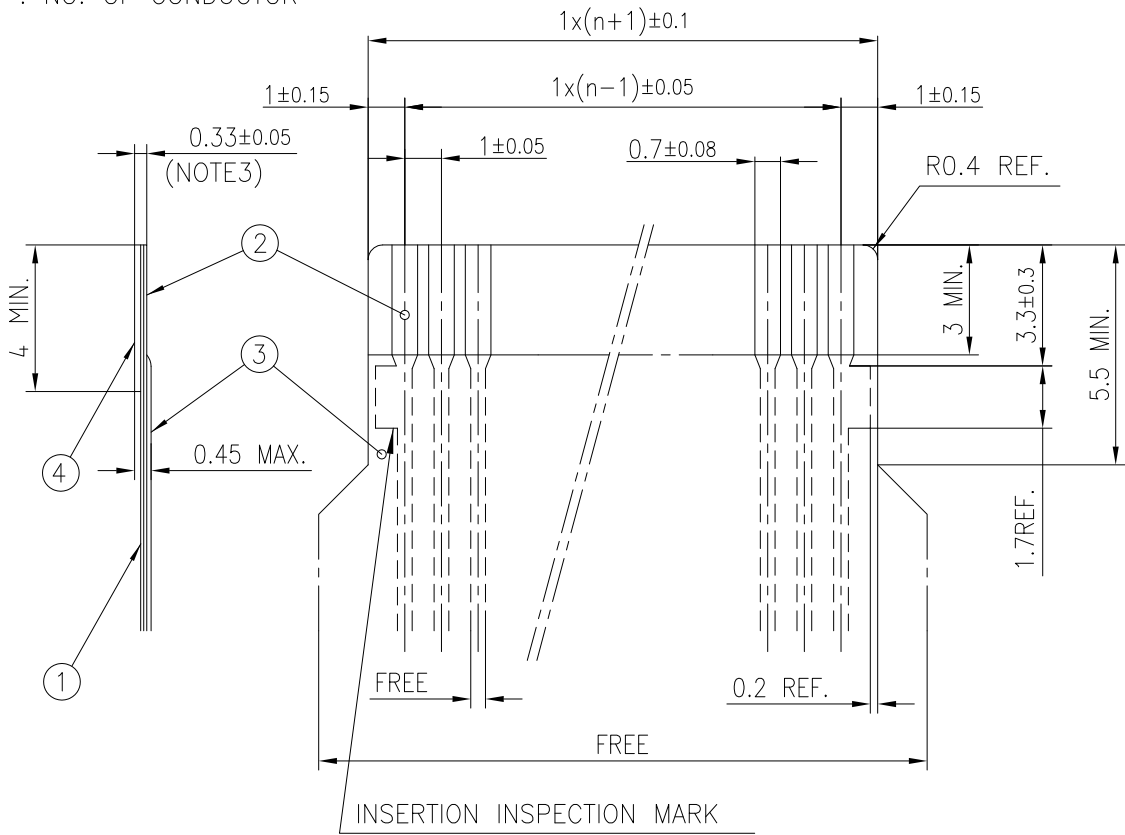
PT. NO.	PARTS NAME	CAT. NO.	MATERIAL	Q'TY	NOTE
1	REEL	_____	POLYSTYRENE	1	COLOR : WHITE or Black
2	PLASTIC (EMBOSS) TAPE	_____	△ PS or A-PET	_____	COLOR : TRANSPARENCY
3	COVER	_____	△ POLYESTER,POLYETHYLENE	_____	COLOR : TRANSPARENCY
4	CONNECTOR	SFW__R-2ST__LF	SEE SHEET4	1500	UPPER CONTACT TYPE

NOTES

- THIS IS PLASTIC TAPE PACKAGED CONNECTOR USED FOR FPC/FFC AND COPES WITH AUTOMATIC MOUNTING (SMT).
- SEE JIS C 0806 (PACKING OF ELECTRONIC COMPONENTS ON CONTINUOUS TAPES (SURFACE MOUNTING DEVICES)) FOR SHAPE AND DIMENSIONS OF PLASTIC (EMBOSS) TAPE AND REEL.
- E DIMENSION IS PORTION OF THE CORE.

mat'l. code		surface ISO 1302		tolerance ISO 406 ISO 1101		projection		product family 58RF	
ltr	ecn no	dr	date	tolerances unless otherwise specified		MM		title	
D				angles	linear	scale N/A		PLASTIC TAPE PACKAGED 1mm SPACING SMT CONNECTOR (Cat. No. SFW__R-2STE5LF)	
				dr	S.WATANABE	2019-3-20	Amphenol FCi	dwg no sheet 7 of 9 size	
				enr	S.WATANABE	2019-3-20		10100522 A4	
				chr	S-H.THIO	2019-3-20			
				appd	Y.KAMEDA	2019-3-20		type Product Customer Drawing	
sheet index	revision sheet								

RECOMMENDED CABLE (FPC)
 n : NO. OF CONDUCTOR



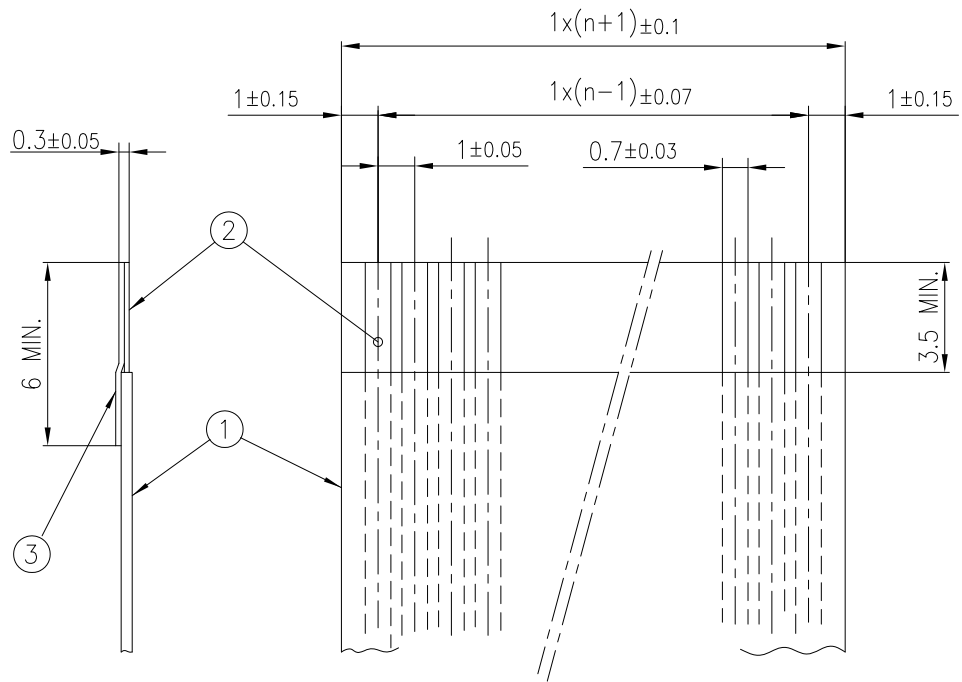
PT. NO.	PARTS NAME	MATERIAL	THICKNESS (um)
1	BASE FILM	POLYIMIDE OR POLYESTER OR EQUAL	25
2	CONDUCTOR	COPPER FOIL (PLATING: TIN OR SOLDER 1um MIN.)	35
3	OVERLAY	POLYIMIDE OR POLYESTER OR EQUAL	—
4	SUPPORTING TAPE	POLYESTER OR POLYIMIDE OR EQUAL	188

- NOTES
1. NO BURR AT EACH PORTION.
 2. NO PEELING IN COMMON USE.
 3. TOTAL THICKNESS LIMIT OF EACH MATERIAL (INCLUDING ADHESIVE AGENT) IS SPECIFIED.

mat'l. code		surface		tolerance		projection		product family	
—		ISO 1302 ✓		ISO 406 ISO 1101				58RF	
ltr	ecn no	dr	date	tolerances unless otherwise specified				title	
D				angles	linear			RECOMMENDED CABLE	
								(Cat. No. SFW__R-1/2__)	
					MM			dwg no	
					scale N/A			sheet 8 of 9 size	
				dr	S.WATANABE	2019-3-20		10100522	
				enr	S.WATANABE	2019-3-20		A4	
				chr	S-H.THIO	2019-3-20			
				app	Y.KAMEDA	2019-3-20		type Product Customer Drawing	
sheet index	revision sheet								

RECOMMENDED CABLE (FFC)

n : NO. OF CONDUCTOR



PT. NO.	PARTS NAME	MATERIAL	NOTE
1	INSULATOR	FLAME RESISTING POLYESTER OR EQUAL	_____
2	CONDUCTOR	COPPER FOIL	PLATING:TIN OR SOLDER 1um MIN.
3	SUPPORTING TAPE	FLAME RESISTING POLYESTER OR EQUAL	_____

NOTES

1. NO BURR AT EACH PORTION.
2. NO PEELING IN COMMON USE.

Amphenol FCI

© 2016 AFCl

©

©

mat'l. code		surface ISO 1302 <input checked="" type="checkbox"/>		tolerance ISO 406 ISO 1101		projection		product family 58RF	
ltr	ecn no	dr	date		tolerances unless otherwise specified		title		
D					angles	linear	RECOMMENDED CABLE (Cat. No. SFW__R-1/2__)		
							MM		
							scale N/A		
		dr	S.WATANABE	2019-3-20	Amphenol FCI		dwg no sheet 9 of 9 size		
		enr	S.WATANABE	2019-3-20			10100522 A4		
		chr	S-H.THIO	2019-3-20					
		appd	Y.KAMEDA	2019-3-20					
sheet index	revision sheet						type Product Customer Drawing		