

This document is the property of Amphenol Corporation and is delivered on the express condition that it is not to be disclosed, reproduced or used, in whole or in part, for manufacture or sale by anyone other than Amphenol Corporation without its prior consent, & that no right is granted to disclose or to use any information in this document.

CUSTOMER DRAWING

REVISIONS

SYM	ECN	DESCRIPTION	DATE	APPROVED
5	HK***	DESIGN CHANGE(UPDATE THE PIN DEFINITION)	2022/06/22	Michael.Qin
6	HK***	THE DRAWING NO. USING PART NO.	2022/08/18	Michael.Qin
7	HK***	UPDATE THE SECOND ROW CONTACT TIP LENGTH	2022/10/19	Michael.Qin

NOTES/注释:

- MATERIAL/材料:
 - HOUSING: HIGH TEMPERATURE THERMOPLASTIC, UL94V-0, COLOR:BLACK.
胶壳: 耐高温热塑性塑胶, UL94 V-0防火等级, 黑色
 - CONTACTS/端子: CORSON ALLOY(铜镍硅合金)
PLATING: SEE PART NUMBER DESCRIPTION ON CONTACT AREA PLATING
电镀规格: 接触区域电镀请参考料号编码对应编码
AU 2U"MIN. ON SOLDERING AREA PLATING
焊接区域为镀金, 厚度2U"最少
NICKEL 50~200U" UNDER PLATING OVER ALL
整体底层镀材为镍层, 厚度50~200U"。
 - SHELL:STAINLESS STEEL;NICKEL 50~200U" PLATING OVER ALL.
铁壳: 不锈钢, 全部镀镍50~200U"
- GENERAL SPECIFICATION/通用特性:
 - CURRENT RATING: 0.5A AC/DC MAX.
额定电流: 0.5A 交流/直流 MAX
 - CONTACT RESISTANCE: 100MΩ MAX.
接触电阻: 100毫欧最大
 - INSULATOR RESISTANCE: 1000MΩ MIN.
接触电阻: 1000兆欧最小
 - DIELECTRIC WITHSTANDING VOLTAGE: 100V
耐电压: 100伏
 - OPERATION TEMPERATURE: -25°C~+85°C
操作温度: 零下25摄氏度至85摄氏度
 - STORAGE TEMPERATURE: -40°C~+85°C
储存温度: 零下40摄氏度至85摄氏度
- DIMENSIONING SHALL BE INTERPRETED PER ASME Y14.5M 1994.
尺寸标注基于ASME Y14.5M 1994标准规范
- MATERIAL SHOULD BE FULFILLED AMPHENOL SPEC.# S-SN-002, FOR HALOGEN FREE PRODUCTS, ALSO NEED TO MEET S-SN-004.
产品材料环保标准为AMPHENOL SSN#002,如果是无卤产品需满足标准SSN#004
- ORDER P/N SYSTEM/产品料号编码系统 : 10102166A812A

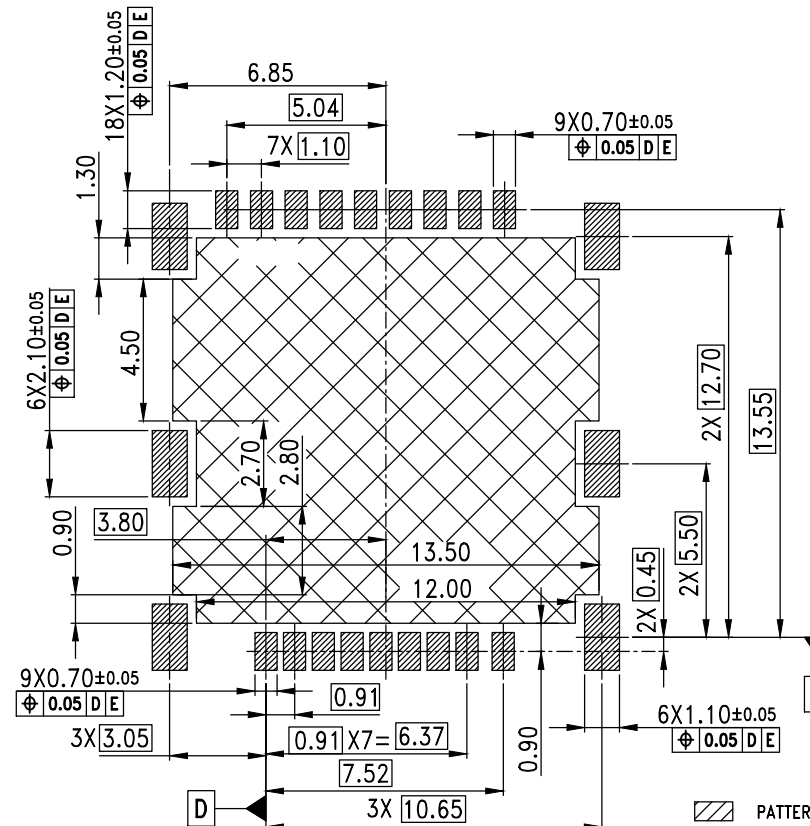
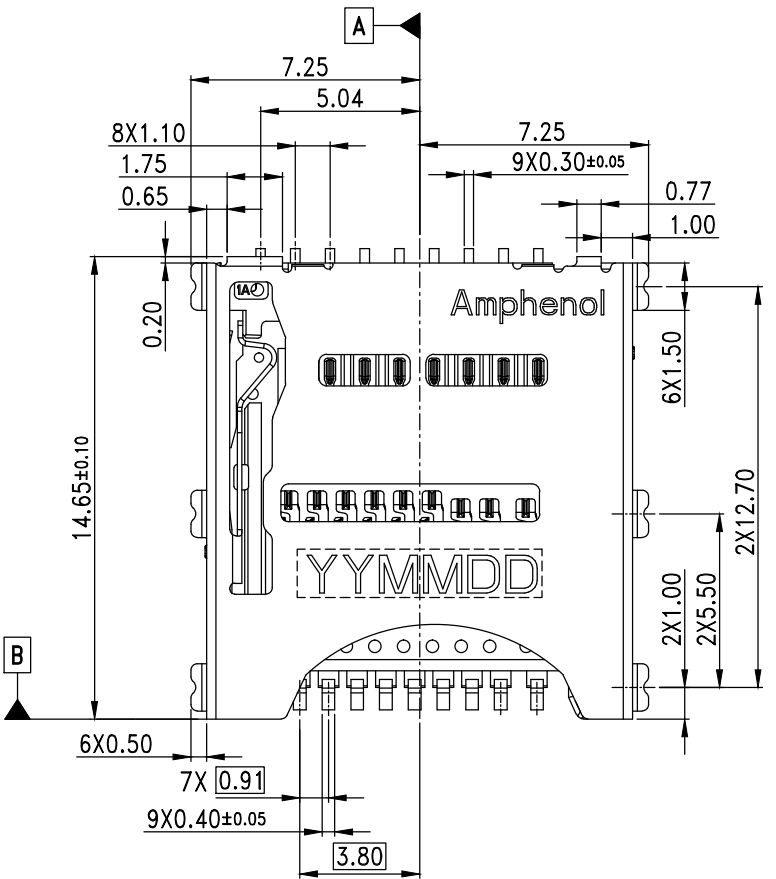
MATING AREA PLATING: _____ RHOS: _____
A8: GOLD FLASH A: AF

Date Code: _____
1: With Date Code
0: Without Date Code

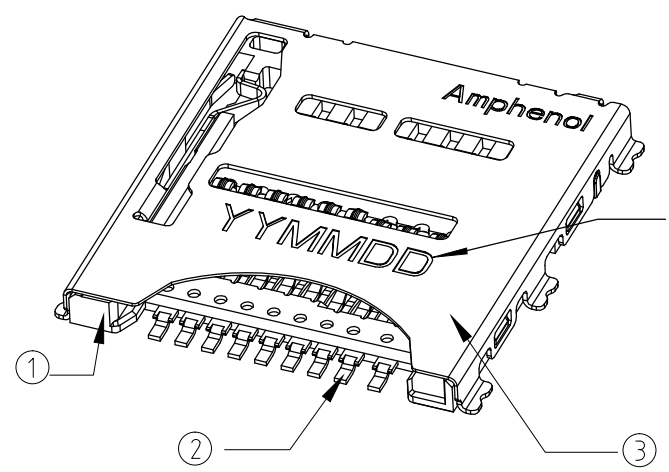
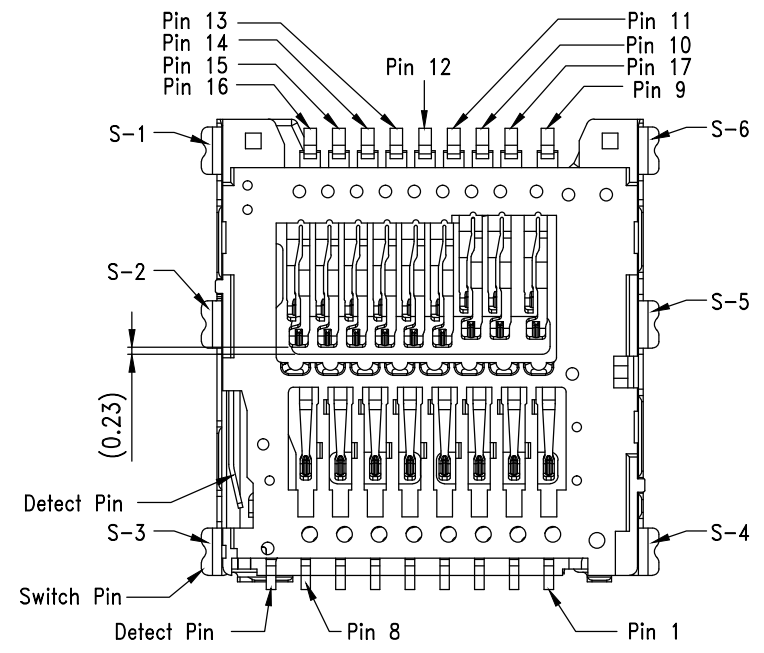
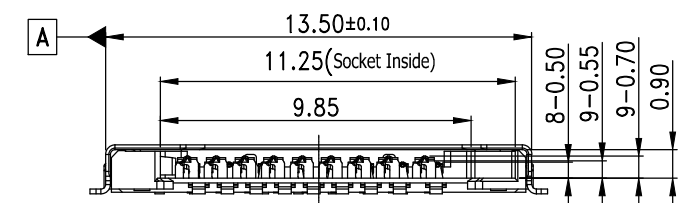
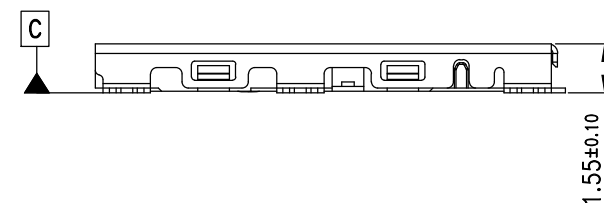
PACKING: _____
2: Tape & Reel

No	Part Name	Q'ty	Material	Finish	Remark
3	SHELL	1	Stainless Steel	Ni	t=0.15±0.01
2	Contact Terminal	1	Copper Alloy	Au	t=0.15±0.01
1	Base Insulator	1	Liquid Crystal Polymer	Color : Black	UL94-V0

UNLESS OTHERWISE SPECIFIED TOLERANCES		APPROVAL	DATE	Amphenol Amphenol East Asia Limited
U.S.	METRIC	DRAWN	XJ.Zhong 10/19/22	
.X	+/-	CHECKED	Michael.Qin 10/19/22	TITLE Customer Drawing For Micro SD7.1 Experss Push Pull Socket
.XX	+/-	CHECKED	Michael.Qin	
.XXX	+/-	DRAWING FILE :		SIZE DRAWING NO. A3 10102166A812A
FRACTIONS +/-	3'	ANGLE OF PROJECTION		
ANGLES +/-	3'	REMOVE SHARP EDGES		SCALE NONE SHEET 1 OF 2
DIMENSIONS		FOR MATERIALS AND FINISHES SEE NOTES		
U.S.	INCHES	DRAWING NO.		REV.
(METRIC)	(MM)	7		



Recommended PCB Layout(Top View)
General Tolerances:±0.05

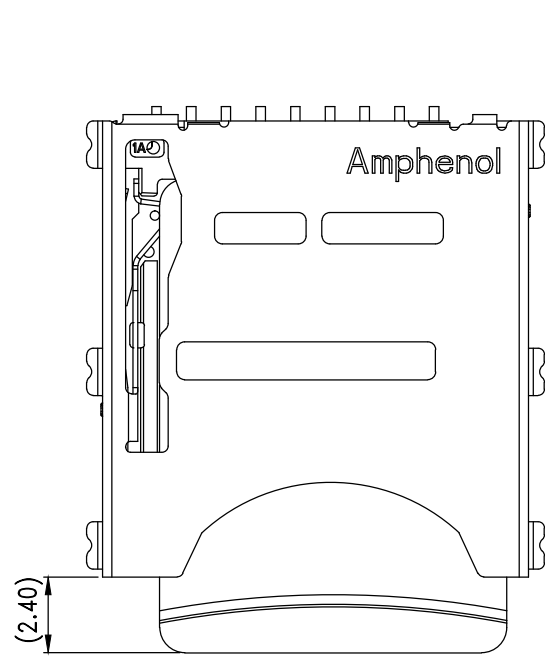


Date Code:
YY :Year
MM:Month
DD:Day

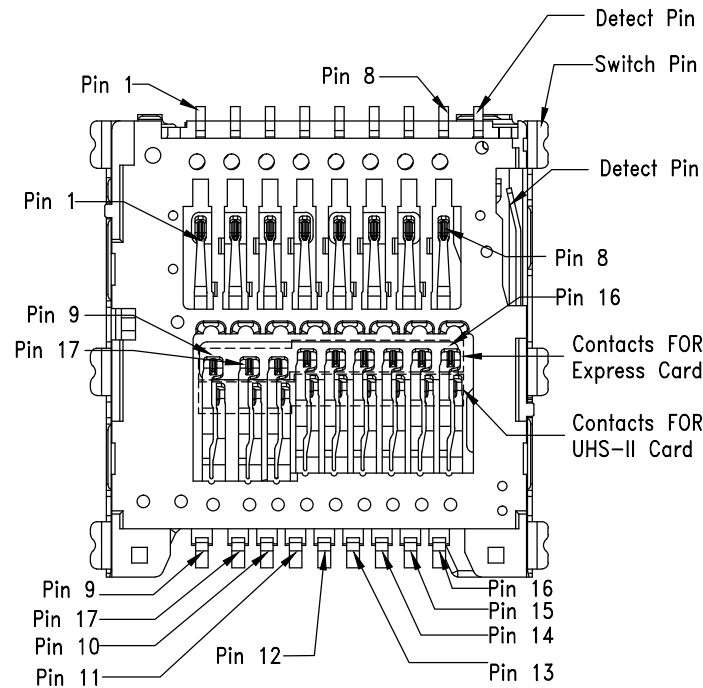
This document is the property of Amphenol Corporation and is delivered on the express condition that it is not to be disclosed, reproduced or used, in whole or in part, for manufacture or sale by anyone other than Amphenol Corporation without its prior consent, & that no right is granted to disclose or to use any information in this document.

CUSTOMER DRAWING

REVISIONS				
SYM	ECN	DESCRIPTION	DATE	APPROVED
SEE SHEET 1/2				



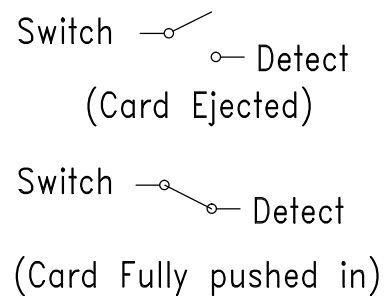
View of inserted card



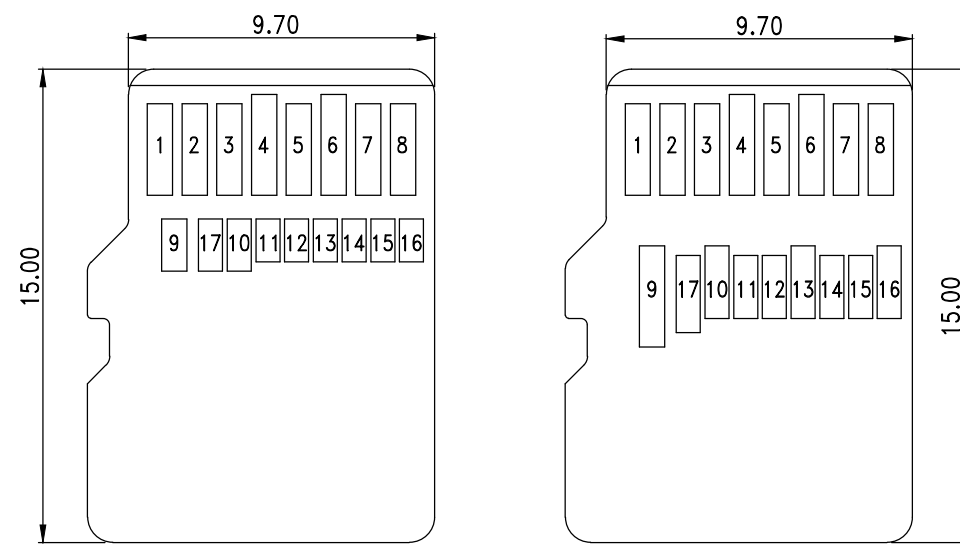
Contacts Pin Description
Compatible With Micro SD Card

PIN Definition:

Micro SD Express Card Pin Function Definition: (微型内存卡Pin功能定义)		
PIN NO.	Micro SD Express Card	UHS II Card
1	DATA LINE[BIT 2]/Reference Clock Request signal indication to host and also used by L1 PM sub-states	Data Line [Bit 2]
2	Card Detect/Data Line [Bit 3]/Power enable Reset is a functional reset to the card.	Card Detect/Data Line [Bit 3]
3	Command/Response	Command/Response
4	Supply voltage (3.3V)	Supply voltage (3.3V)
5	Clock	Clock
6	Supply voltage ground	Supply voltage ground
7	Data Line [Bit 0]/PCIe Ref Clock(2)	Data Line [Bit 0]/ RCLK+
8	Data Line [Bit 1]/PCIe Ref Clock(2)	Data Line [Bit 1]/ RCLK-
9	Supply voltage (1.8V)	Supply voltage (1.8V)
10	Supply voltage ground	Supply voltage ground
11	PCIe Transmit lane (Host to Card)	UHS-II D0+
12	PCIe Transmit lane (Host to Card)	UHS-II D0-
13	Supply voltage ground	Supply voltage ground
14	PCIe Receive lane (Card to Host)	UHS-II D1-
15	PCIe Receive lane (Card to Host)	UHS-II D1+
16	Supply voltage ground	Supply voltage ground
17	Supply voltage (1.2V) (1)	Single Wire Protocol Interface
SW	Detect whether the card is inserted	
DE	Detect whether the card is inserted	



Switch Position



Micro SD Express Card

UHS II Card



UNLESS OTHERWISE SPECIFIED TOLERANCES U.S. METRIC .X +/- 0.50 .XX +/- 0.25 .XXX +/- 0.10 FRACTIONS +/- 3' ANGLES +/- SEE NOTES	APPROVAL	DATE	Amphenol Amphenol East Asia Limited TITLE Customer Drawing For Micro SD7.1 Express Push Pull Socket
	DRAWN XJ.Zhong	10/19/22	
	CHECKED Micheal.Qin	10/19/22	
	CHECKED Micheal.Qin		
FOR MATERIALS AND FINISHES REMOVE SHARP EDGES	DRAWING FILE :		SIZE DRAWING NO.
DIMENSIONS	ANGLE OF PROJECTION		A3 10102166A812A
U.S. INCHES			REV. 7
(METRIC) (MM)			SCALE NONE SHEET 2 OF 2