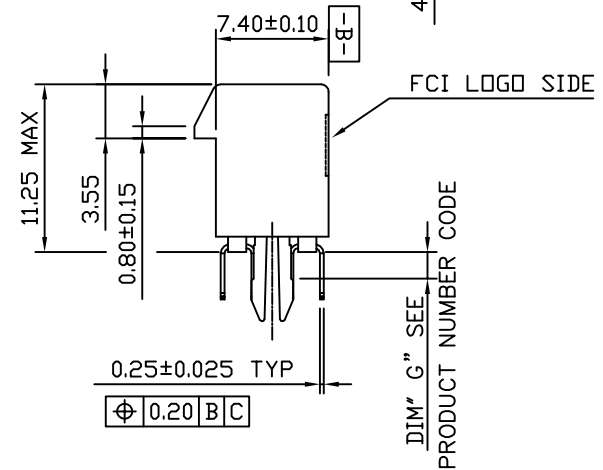
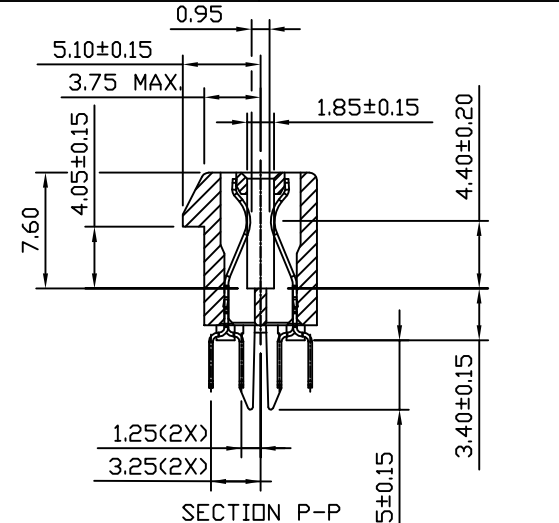
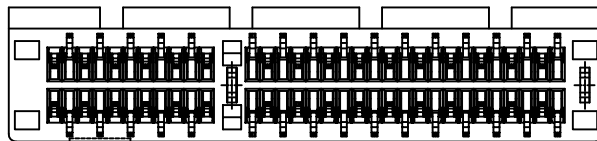
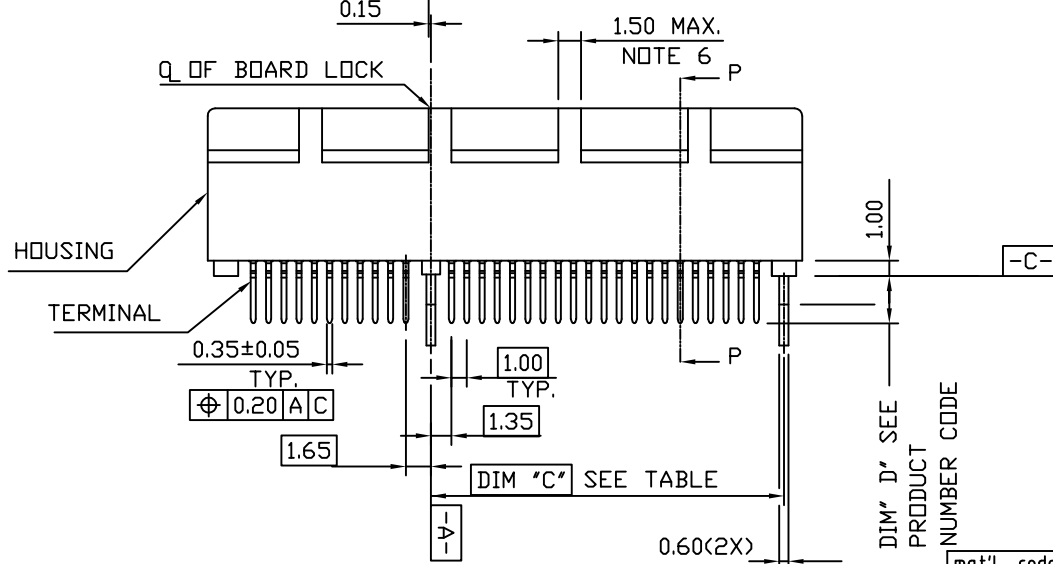
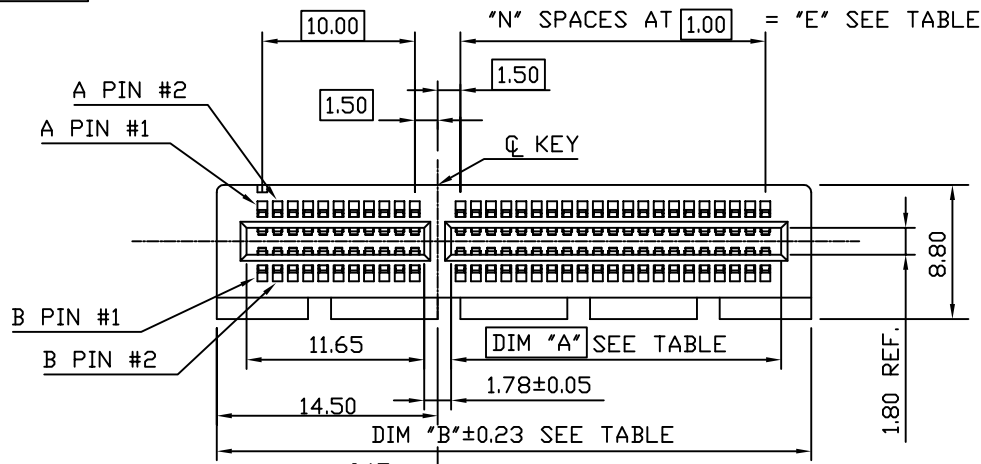
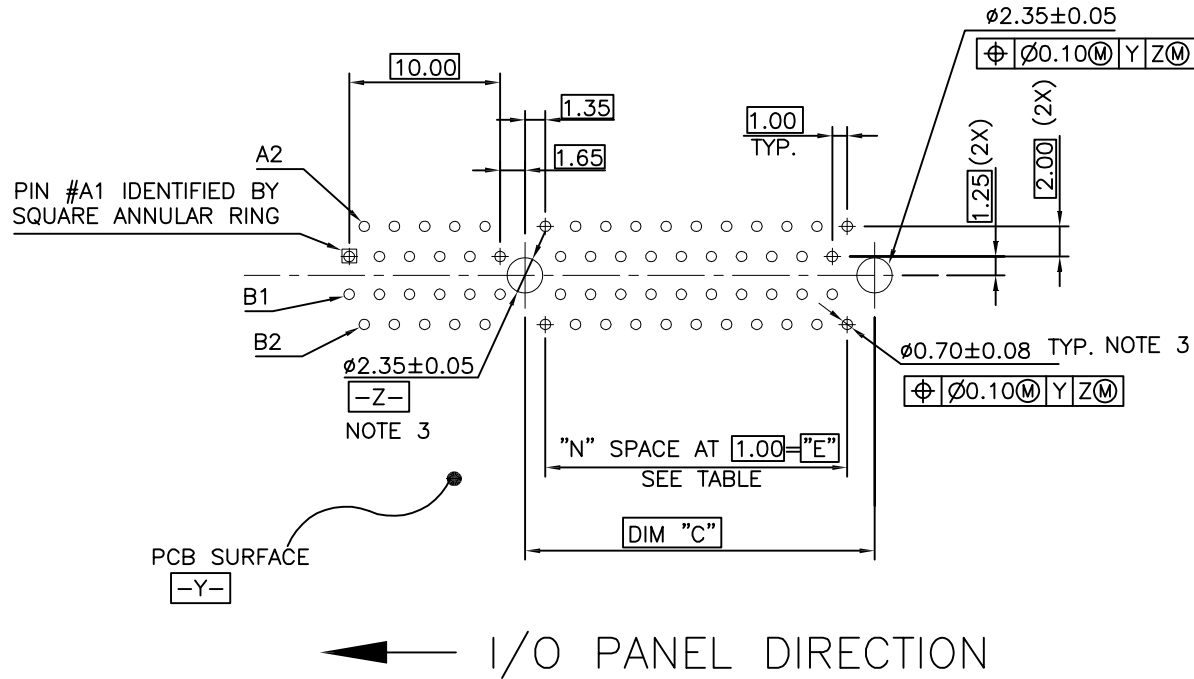


PRODUCT NO.
10108777-X1XXXX



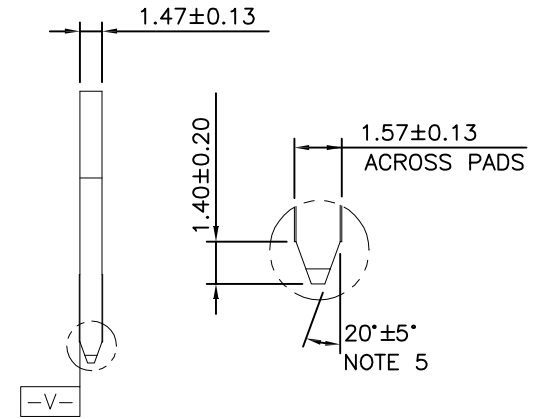
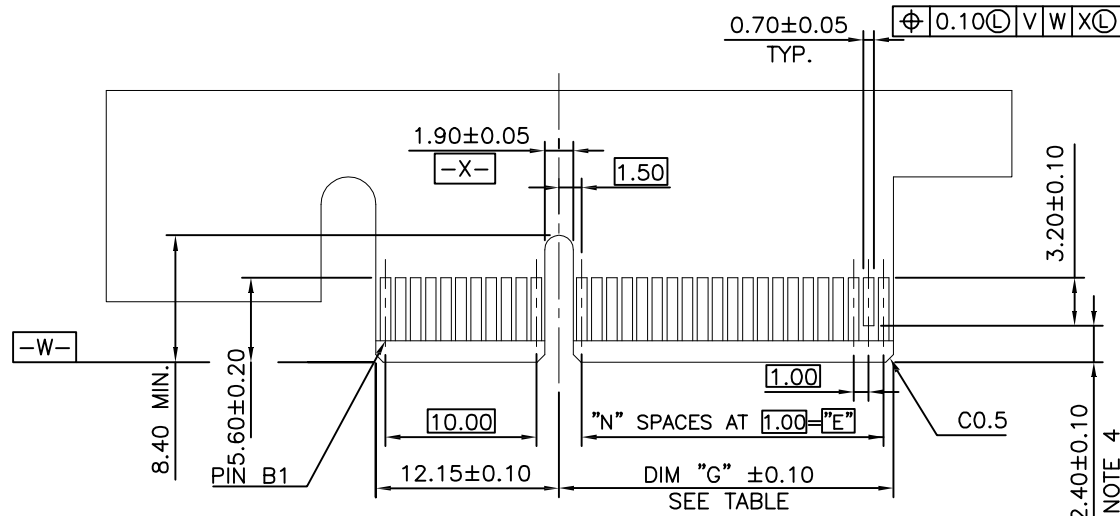
METAL BOARD LOCKS

mat'l. code		surface		tolerance		projection		product family	
-		-		ASME_Y14.5		MM		PCI_EXPRESS	
ltr		ecn no		dr		date		title	
								PCI_EXPRESS_CARD_EDGE_GEN3 TH_ASS'Y	
								dwg no	
								10108777	
								sheet 3 of 7	
								size	
								A4	
								type	
								CUSTOMER Drawing	
sheet index		revision sheet		K					



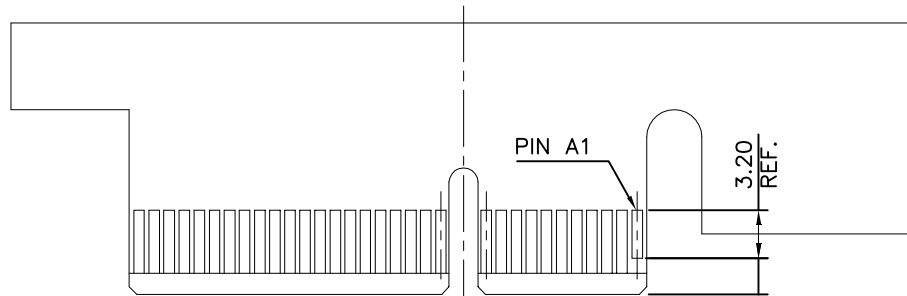
RECOMMENDED FOOTPRINT

mat'l. code		surface		tolerance	projection	product family	
-		-		ASME_Y14.5		PCI_EXPRESS	
ltr	ecn no	dr	date	tolerances unless otherwise specified		title	
				angles		PCI_EXPRESS_CARD_EDGE_GEN3	
				$\pm 2^\circ$		TH_ASS'Y	
				line	scale N/A	dwg no	
				dr		sheet 4 of 7 size	
				engr		10108777 A4	
				chr		type	
				appd		CUSTOMER Drawing	
sheet index	revision sheet	K					



SCALE 2:1

← I/O PANEL DIRECTION
PRIMARY (COMPONENT) SIDE



I/O PANEL DIRECTION →
SECONDARY (SOLDER) SIDE

PIN "F" SEE TABLE 2.40±0.10 NOTE 4

PIN "F" SEE TABLE 2.40±0.10 NOTE 4

#	POS REF.	N	DIM "G"	"F"
36		6	8.15	B17
64		20	22.15	B31
98		37	39.15	B48
164		70	72.15	B81

ADD-IN CARD EDGE-FINGER DIMENSIONS

mat'l. code		surface		tolerance		projection		product family	
-		-		ASME_Y14.5		MM		PCI_EXPRESS	
ltr		ecn no		dr		date		title	
								PCI_EXPRESS_CARD_EDGE_GEN3 TH_ASS'Y	
								dwg no	
								10108777	
								sheet 5 of 7 size	
								A4	
								type	
								CUSTOMER Drawing	
sheet index		revision sheet		K					

NOTES:

1.MATERIAL:

HOUSING: HIGH TEMPERATURE NYLON, GLASS FILLED UL94V-0 RATED.
 TERMINAL: COPPER ALLOY.
 PLATING: 50u" NICKEL UNDERPLATE ALL OVER
 CONTACT AREA PLATING - SEE PRODUCT NUMBER CODE
 SOLDER TAIL: TIN OR TIN /LEAD(90/10)- SEE PRODUCT
 NUMBER CODE 100u" MIN. OVER 50u" NICKEL.
 METAL BOARD LOCKS: COPPER ALLOY.
 FINISH: 100u" TIN OR TIN/LEAD(90/10) OVER 50u" NICKEL
 UNDERPLATE SEE PRODUCT NUMBER CODE.

2.PRODUCT SPECIFICATION: GS-12-233.

③THE HORIZONTAL AXIS FOR THE HOLE PATTERN IS ESTABLISHED BY

A LINE THROUGH THE CENTER OF THE TWO Ø2.35 HOLES.
 THE VERTICAL AXIS IS 90° TO THE HORIZONTAL AXIS, THROUGH THE CENTER
 OF DATUM Z.

④NO TIE BAR PERMITTED FROM CARD EDGE TO LEADING EDGE OF PAD FOR PINS A1 AND PIN NUMBERS "F".

⑤CHAMFER EDGES MUST BE FREE OF CUTTING BURRS.

⑥FREQUENCY & LOCATION AT SUPPLIER DISCRETION. RIDGE MAY BE CONTINUOUS WITH NO BREAKS.

7.RoHS COMPATIBLE PRODUCT SPECIFICATIONS:

a - PLATING:

- "LF" MEANS THE PRODUCT IS LEAD-FREE, 2um MINIMUM MATTE TIN OVER 1.27um
 MINIMUM NICKEL UNDERPLATE.

b - MANUFACTURING PROCESS COMPATIBILITY:

- THE HOUSING WILL WITHSTAND EXPOSURE TO 260°C±5°C TEMPERATURE FOR
 10 SECONDS IN RE-FLOW APPLICATION, SEE NOTE 8 FOR APPLICATION.

PRODUCT NUMBER CODE

10108777 -x x x x x x □ □

HOUSING COLOR OPTIONS

- 0-NATURAL
- 1-BLACK

PEGS OPTIONS

- 0-PLASTIC PEGS, DIM "H"=4.4
- 1-METAL BOARD LOCKS
- 2-SINGLE PLASTIC PEGS, DIM "H"=4.4
- 3-PLASTIC PEGS, DIM "H"=2.8
- 4-PLASTIC PEGS, DIM "H"=3.8

TERMINAL PLATING OPTIONS

- 0-50u" Ni UNDERPLATE
- 30u" Au CONTACT AREA
- 100u" TIN TAIL AREA ----- COMPATIBLE RoHS
- 1-50u" Ni UNDERPLATE
- 15u" Au CONTACT AREA
- 100u" TIN TAIL AREA ----- COMPATIBLE RoHS
- 2-50u" Ni UNDERPLATE
- GOLD FLASH CONTACT AREA
- 100u" TIN TAIL AREA ----- COMPATIBLE RoHS

LEAD FREE OPTION
 LEAVE BLANK FOR TERMINAL PLATING 3.4.5
 "LF" FOR TERMINAL PLATING OPTION 0,1,2

POS OPTIONS

- 0-36
- 1-64
- 2-98
- 3-164

TAIL LENGTH OPTIONS

	DIM "D"	PCB THICKNESS	DIM "G"
0	2.30 ^{+0.25} / _{-0.13}	1.56±0.10	1.70±0.15
1	3.10 ^{+0.25} / _{-0.13}	2.36±0.10	2.50±0.15
2	2.54±0.25	1.56±0.10	1.70±0.15
3	1.90±0.25	1.56±0.10	1.70±0.15
4	3.10 ^{+0.25} / _{-0.13}	2.0±0.10	1.70±0.15

CONNECTOR	# POS REF.	N	DIM "A"	DIM "B"	DIM "C"	"E"
1 PORT	36	6	7.65	25.00	9.15	6.00
4 PORT	64	20	21.65	39.00	23.15	20.00
8 PORT	98	37	38.65	56.00	40.15	37.00
16 PORT	164	70	71.65	89.00	73.15	70.00

8.AN ADEQUATE PROCEDURE SET FORTH IN THE FOLLOWING ENSURE THAT THE PRODUCT
 RELIABILITY CAN BE ACHIEVED DURING AND AFTER PCB ASSEMBLY OPERATION.

8.1IF PARTIAL LOT ARE USED, THE REMAINING CONNECTORS MUST BE RESEALED AND
 PLACED IN SAFE STORAGE WITHIN SIX HOURS OF BAG OPENING.

8.2THE SAFE STORAGE CONDITION IS RECOMMENDED AT 25°C, 40%RH.

8.3NOT FOLLOWING THE PROCEDURE MAY CAUSE BLISTER DAMAGE DURING RE-FLOW PROCESS.

8.4IF BAKING IS REQUIRED, CONNECTOR SHALL BE BAKED FOR 4 HOURS AT 125°C.

8.5REFERENCE SPECIFICATION: IPC/JEDEC J-STD-033A.

PACKAGING OPTIONS

T-SOFT TRAY PACKAGING

C-SOFT TRAY PACKAGING WITH 10MM CAP

M-SOFT TRAY PACKAGING & MYLAR TAPE. SEE FIGURE 1

Y-HARD TRAY PACKAGING (338X235X21.4) (FOR 36P,98P 164P ONLY)

Z-HARD TRAY PACKAGING (338X235X21.4) WITH MYLAR (FOR 36P,98P 164P ONLY)

B-HARD TRAY PACKAGING (338X235X21.4) WITH 30MM CAP (FOR 36P,98P 164P ONLY)

N-HARD TRAY PACKAGING (338X235X21.4) WITH 8.40MM WIDTH MYLAR (FOR 164P ONLY)

Q-SMALLER HARD TRAY PACKAGING (323X136X19 FOR 164P ONLY)

L-SMALLER HARD TRAY PACKAGING (300X135X19 FOR 164P ONLY)

H-SMALLER HARD TRAY PACKAGING WITH 8.40MM WIDTH MYLAR (323X136X19 FOR 164P ONLY)

△ S-CUSTOMIZED HARD TRAY(322.6x135.9x14.5) WITH MYLAR (FOR 164P ONLY)

E-HARD TRAY WITH MYLAR FOR VACUUM PACKAGING (FOR 164P ONLY)

R-TAPE & REEL PACKAGING WITHOUT MYLAR (FOR 36, 64, 98P)

W-TAPE & REEL PACKAGING WITHOUT MYLAR(FOR 98P ONLY), WITH
 18.0MM CAVITY WIDTH

A-TAPE & REEL PACKAGING WITH MYLAR(FOR 36, 64, 98P)

P-TAPE & REEL PACKAGING WITH 10MM CAP (FOR 36, 64, 98P)

F-44mm WIDTH 24PH TAPE & REEL PACKAGING WITH MYLAR(FOR 36P ONLY)

mat'l. code		surface		tolerance		projection		product family	
-		-		ASME_Y14.5				PCI_EXPRESS	
ltr		ecn no		dr		date		title	
								PCI_EXPRESS_CARD_EDGE_GEN3	
								TH_ASS'Y	
								dwg no	
								sheet 6 of 7	
								size	
								A4	
								type	
								CUSTOMER Drawing	
sheet		revision		J2					
index		sheet							

A

A

B

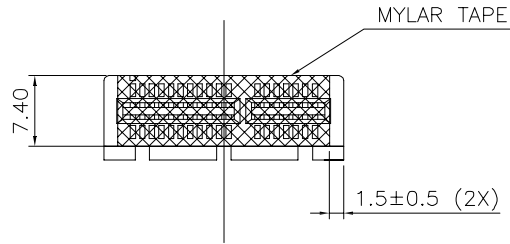
B



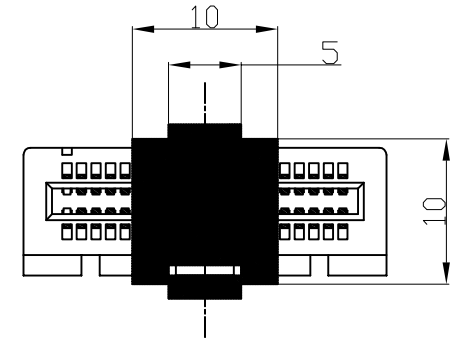
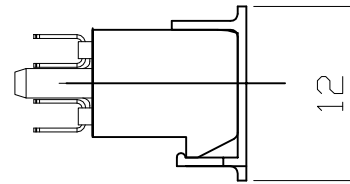
1 | 2

3 |

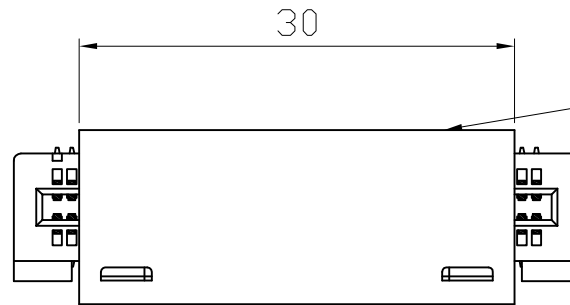
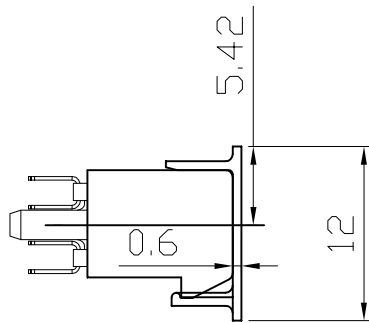
4



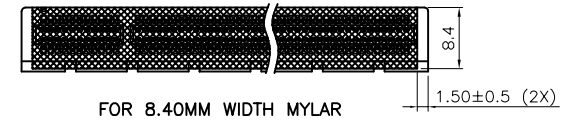
POSTION OF MYLAR



POSTION OF CAP (10x10)



LOCATED AT MIDDLE OF PRODUCT



POSTION OF 30MM CAP(30X12)

mat'l. code		surface		tolerance		projection		product family	
-		-		ASME_Y14.5				PCI_EXPRESS	
ltr		ecn no		dr		date		title	
								PCI_EXPRESS_CARD_EDGE_GEN3 TH_ASS'Y	
				angles		line		MM	
				±2°		.0±.030		scale N/A	
						.00±.020		dwg no	
						.000±.010		sheet 7 of 7 size	
		dr		WINSTON_ZHU		2021-07-12		10108777	
		engr		ZHENHUA_LIU		2021-07-12		A4	
		chr						type	
		appd		HEAVEN-CEN		2021-07-12		CUSTOMER Drawing	
sheet		revision		K					
index		sheet							

1 |

3 |

4

A

A

B

B

5