

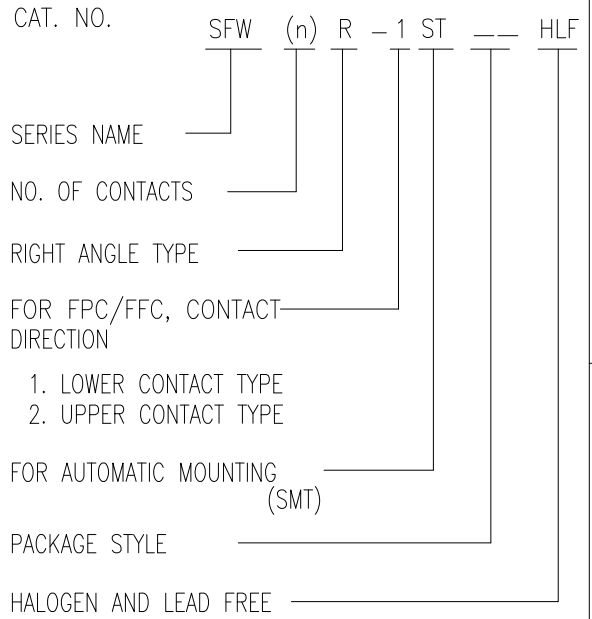
List of "SFW__R-1/2STE1HLF" customer document

DOCUMENT NO.	LIST
GS-12-682	SPEC.
10116434 Sheet2	CAT.NO.TABLE FOR 1mm SPACING SMT CONNECTOR (SFW__R-1/2ST__HLF)
10116434 Sheet3	1mm SPACING SMT CONNECTOR (SFW__R-1ST__HLF)
10116434 Sheet4	1mm SPACING SMT CONNECTOR (SFW__R-2ST__HLF)
10116434 Sheet5	CAT.NO.TABLE FOR PLASTIC TAPE PACKAGED 1mm SPACING SMT CONNECTOR (SFW__R-1/2STE1HLF)
10116434 Sheet6	PLASTIC TAPE PACKAGED 1mm SPACING SMT CONNECTOR (SFW__R-1STE1HLF)
10116434 Sheet7	PLASTIC TAPE PACKAGED 1mm SPACING SMT CONNECTOR (SFW__R-2STE1HLF)
10116434 Sheet8	RECOMMENDED CABLE (FPC) (SFW__R-1/2ST__)
10116434 Sheet9	RECOMMENDED CABLE (FFC) (SFW__R-1/2ST__)
GS-20-129	HANDLING PROCEDURES

mat'l. code				surface ISO 1302 <input checked="" type="checkbox"/>		tolerance ISO 406 ISO 1101		projection		product family 58RF			
ltr	ecn no	dr	date	tolerances unless otherwise specified						MM		title 1mm SPACING FPC/FFC CONNECTOR DOCUMENT LIST (Cat. No. : SFW__R-1/2STE1HLF)	
A	J10-0337	S.W	2010-11-19	angles		linear							
B	ELX-J-32971	S.W	2019-3-20							scale N/A		dwg no sheet 1 of 9 size	
				dr	S.WATANABE	2019-3-20				10116434		A4	
				enr	S.WATANABE	2019-3-20							
				chr	S-H.THIO	2019-3-20							
				appd	Y.KAMEDA	2019-3-20							
sheet index	revision sheet	B 1	B 2	B 3	B 4	B 5	B 6	B 7	B 8	B 9	type Product Customer Drawing		

CAT. NO. & DIMENSIONS

NO. OF CONTACTS (n)	CAT. NO.	DIMENSIONS (NOTE2)			
		A ± 0.2	B ± 0.2	C ± 0.2	D ± 0.1
4	SFW4R-1/2ST__HLF	9.8	8.6	3.0	5.3
5	SFW5R-1/2ST__HLF	10.8	9.6	4.0	6.3
6	SFW6R-1/2ST__HLF	11.8	10.6	5.0	7.3
7	SFW7R-1/2ST__HLF	12.8	11.6	6.0	8.3
8	SFW8R-1/2ST__HLF	13.8	12.6	7.0	9.3
9	SFW9R-1/2ST__HLF	14.8	13.6	8.0	10.3
10	SFW10R-1/2ST__HLF	15.8	14.6	9.0	11.3
11	SFW11R-1/2ST__HLF	16.8	15.6	10.0	12.3
12	SFW12R-1/2ST__HLF	17.8	16.6	11.0	13.3
13	SFW13R-1/2ST__HLF	18.8	17.6	12.0	14.3
14	SFW14R-1/2ST__HLF	19.8	18.6	13.0	15.3
15	SFW15R-1/2ST__HLF	20.8	19.6	14.0	16.3
16	SFW16R-1/2ST__HLF	21.8	20.6	15.0	17.3
17	SFW17R-1/2ST__HLF	22.8	21.6	16.0	18.3
18	SFW18R-1/2ST__HLF	23.8	22.6	17.0	19.3
19	SFW19R-1/2ST__HLF	24.8	23.6	18.0	20.3
20	SFW20R-1/2ST__HLF	25.8	24.6	19.0	21.3
21	SFW21R-1/2ST__HLF	26.8	25.6	20.0	22.3
22	SFW22R-1/2ST__HLF	27.8	26.6	21.0	23.3
23	SFW23R-1/2ST__HLF	28.8	27.6	22.0	24.3
24	SFW24R-1/2ST__HLF	29.8	28.6	23.0	25.3
25	SFW25R-1/2ST__HLF	30.8	29.6	24.0	26.3
26	SFW26R-1/2ST__HLF	31.8	30.6	25.0	27.3
27	SFW27R-1/2ST__HLF	32.8	31.6	26.0	28.3
28	SFW28R-1/2ST__HLF	33.8	32.6	27.0	29.3
29	SFW29R-1/2ST__HLF	34.8	33.6	28.0	30.3
30	SFW30R-1/2ST__HLF	35.8	34.6	29.0	31.3



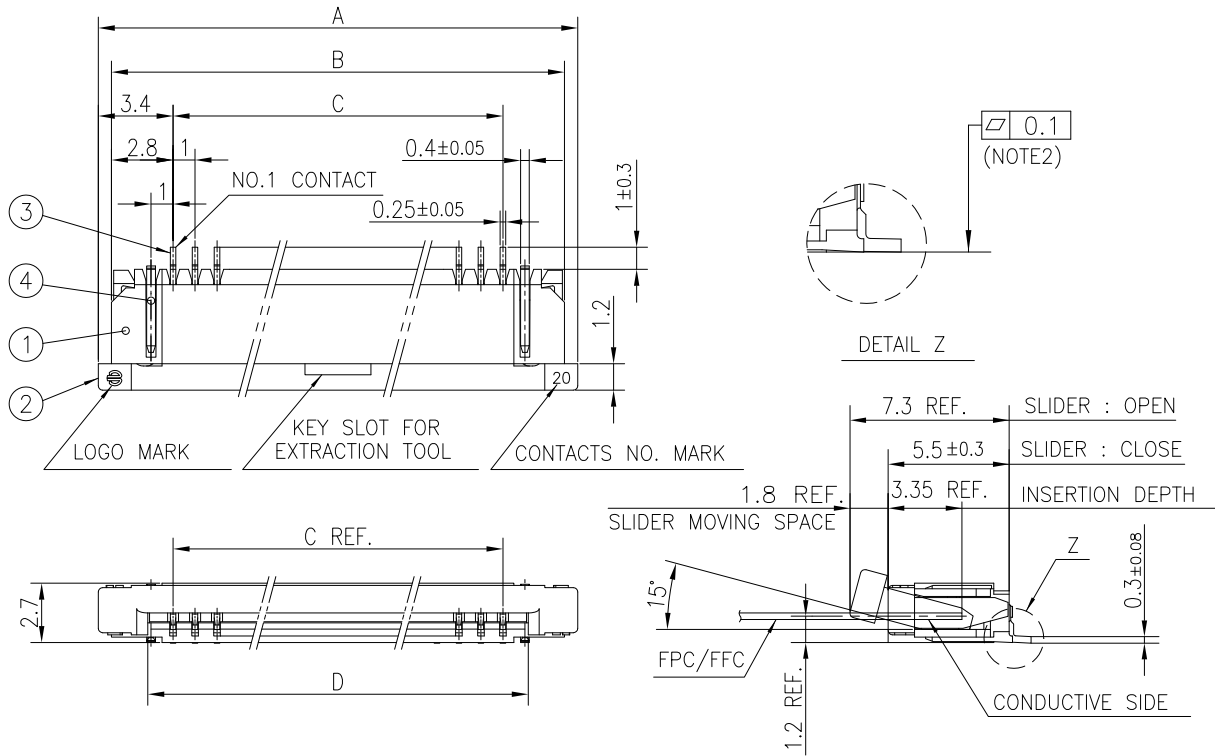
NOTES

1. THIS PRODUCT IS THE CONNECTOR USED FOR FPC/FFC AND COPEs WITH AUTOMATIC MOUNTING (SMT).
2. SEE PART DRAWINGS FOR DIMENSIONS A~D.

Amphenol FCI

© 2016 AFCl

mat'l. code		surface ISO 1302 <input checked="" type="checkbox"/>		tolerance ISO 406 ISO 1101		projection		product family 58RF				
ltr	ecn no	dr	date	tolerances unless otherwise specified				MM	title			
B				angles linear		scale N/A			CAT. NO. TABLE FOR 1mm SPACING SMT CONNECTOR (Cat. No. : SFW__R-1/2ST__HLF)			
				dr	S.WATANABE	2019-3-20	Amphenol FCI	dwg no		sheet 2 of 9	size	
				enr	S.WATANABE	2019-3-20		10116434			A4	
				chr	S-H.THIO	2019-3-20						
				appd	Y.KAMEDA	2019-3-20		type Product Customer Drawing				
sheet index	revision sheet											

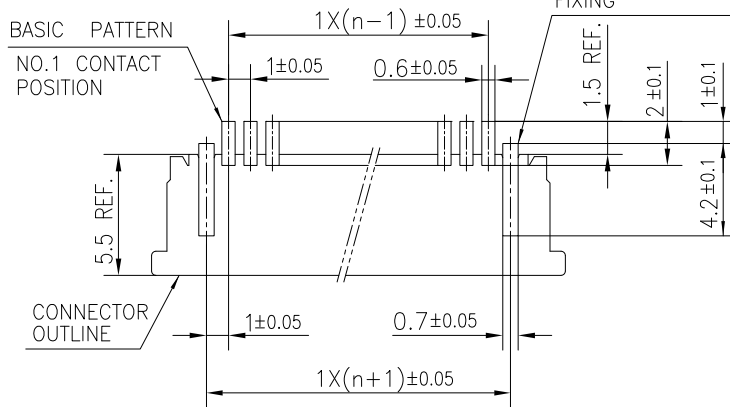


PT. NO.	PARTS NAME	MATERIAL	Q'TY	NOTE
1	HOUSING	PPS RESIN GLASS REINFORCED (UL94V-0)	1	COLOR : BLACK (HALOGEN FREE)
2	SLIDER	PPS RESIN GLASS REINFORCED (UL94V-0)	1	COLOR : BLACK (HALOGEN FREE)
3	CONTACT	PHOSPHOR BRONZE	n	PLATING : TIN
4	MOUNTING PLATE		2	

n : NO. OF CONTACTS

RECOMMENDED PC BOARD LAYOUT
(COMPONENT SIDE)

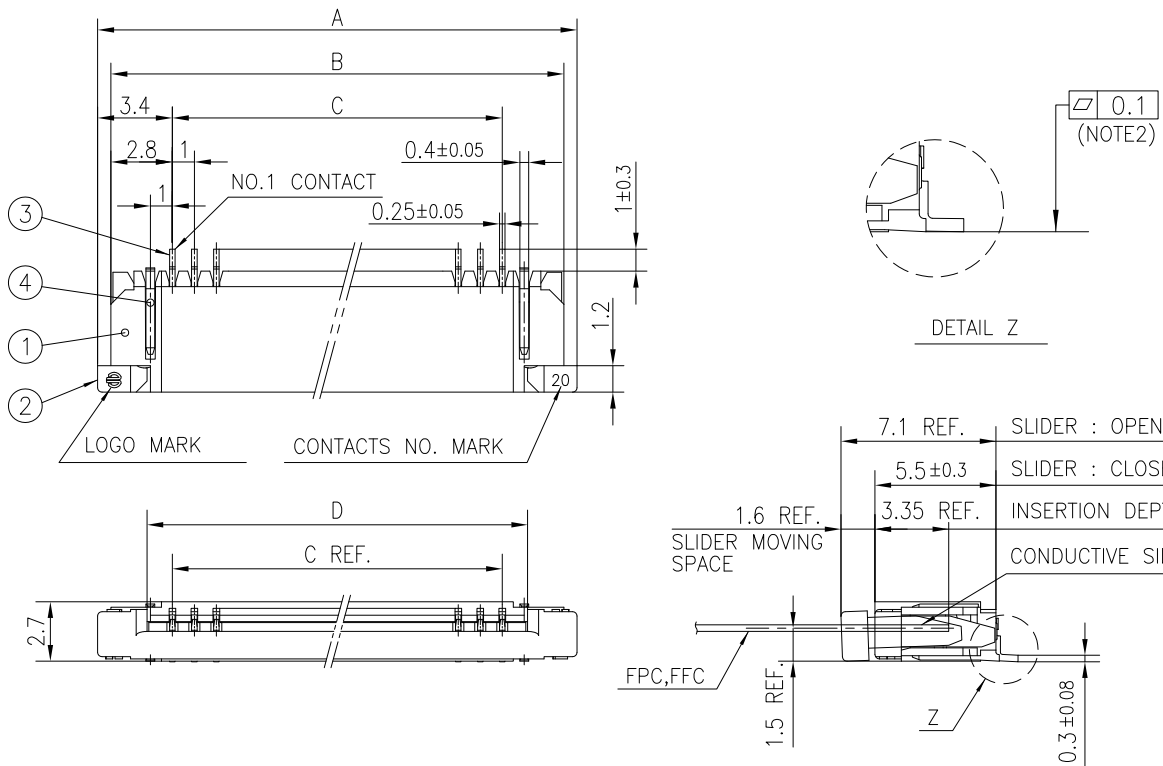
BASIC PATTERN
NO.1 CONTACT POSITION



NOTES

1. THIS PRODUCT IS THE CONNECTOR USED FOR FPC/FFC AND COPES WITH AUTOMATIC MOUNTING (SMT).
2. FLATNESS FOR CONTACT TERMINAL HOUSING MUST BE WITHIN TOLERANCE IN Z PORTION DETAILED DRAWING.
3. THIS PRODUCT IS LOWER CONTACT TYPE CONNECTOR.
4. THIS PRODUCT MEETS EUROPEAN UNION DIRECTIVES AND OTHER COUNTRY REGULATIONS AS DESCRIBED IN GS-22-008
5. THE HOUSING WILL WITHSTAND EXPOSURE TO 260°C PEAK TEMPERATURE FOR 10 SECONDS IN A REFLOW SOLDERING OVEN.

mat'l. code		surface		tolerance		projection		product family	
-		ISO 1302		ISO 406 ISO 1101				58RF	
ltr	ecn no	dr	date	tolerances unless otherwise specified				title	
B				angles linear ±0.2 				1mm SPACING SMT CONNECTOR (Cat. No. SFW__R-1ST__HLF)	
		dr	S.WATANABE	2019-3-20		scale N/A		dwg no	
		enr	S.WATANABE	2019-3-20				sheet 3 of 9	
		chr	S-H.THIO	2019-3-20				10116434	
		appd	Y.KAMEDA	2019-3-20				A4	
sheet index		revision sheet						type Product Customer Drawing	



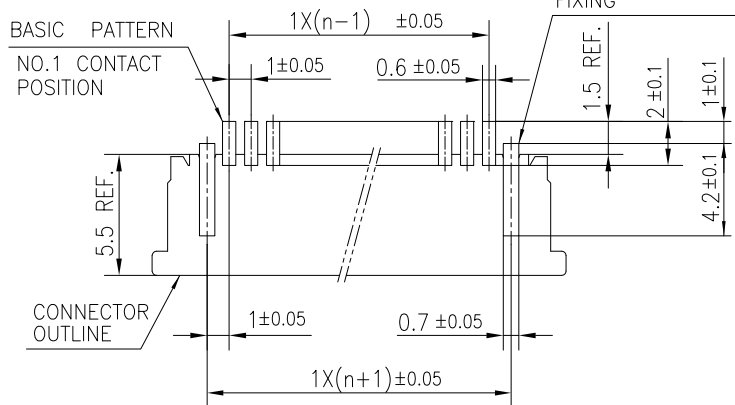
PT. NO.	PARTS NAME	MATERIAL	Q'TY	NOTE
1	HOUSING	PPS RESIN GLASS REINFORCED (UL94V-0)	1	COLOR : BLACK (HALOGEN FREE)
2	SLIDER	PPS RESIN GLASS REINFORCED (UL94V-0)	1	COLOR : BLACK (HALOGEN FREE)
3	CONTACT	PHOSPHOR BRONZE	n	PLATING : TIN
4	MOUNTING PLATE		2	

n : NO. OF CONTACTS

NOTES

1. THIS PRODUCT IS THE CONNECTOR USED FOR FPC/FFC AND COPES WITH AUTOMATIC MOUNTING (SMT).
2. FLATNESS FOR CONTACT TERMINAL HOUSING MUST BE WITHIN TOLERANCE IN Z PORTION DETAILED DRAWING.
3. THIS PRODUCT IS UPPER CONTACT TYPE CONNECTOR.
4. THIS PRODUCT MEETS EUROPEAN UNION DIRECTIVES AND OTHER COUNTRY REGULATIONS AS DESCRIBED IN GS-22-008
5. THE HOUSING WILL WITHSTAND EXPOSURE TO 260°C PEAK TEMPERATURE FOR 10 SECONDS IN A REFLOW SOLDERING OVEN.

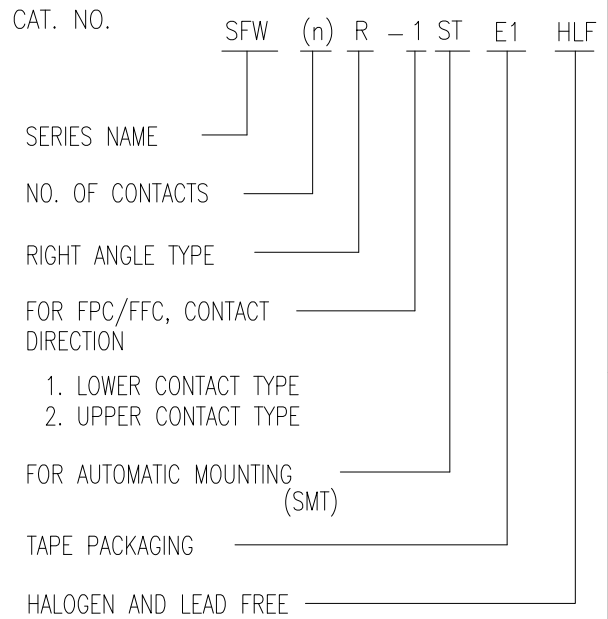
RECOMMENDED PC BOARD LAYOUT (COMPONENT SIDE)



mat'l. code		surface ISO 1302		tolerance ISO 406 ISO 1101		projection		product family 58RF	
ltr	ecn no	dr	date	tolerances unless otherwise specified		MM		title	
B				angles	linear	scale N/A		1mm SPACING SMT CONNECTOR (Cat. No. SFW__R-2ST__HLF)	
				dr	S.WATANABE	2019-3-20	Amphenol FCI	dwg no sheet 4 of 9 size	
				enr	S.WATANABE	2019-3-20		10116434 A4	
				chr	S-H.THIO	2019-3-20			
				appd	Y.KAMEDA	2019-3-20		type Product Customer Drawing	
sheet index	revision sheet								

CAT. NO. & DIMENSIONS

NO. OF CONTACTS (n)	CAT. NO. (NOTE2)	DIMENSIONS (NOTE3)		
		E ± 5	F ± 0.3	G ± 0.1
4	SFW4R-1/2STE1HLF	20.4	16	—
5	SFW5R-1/2STE1HLF	28.4	24	—
6	SFW6R-1/2STE1HLF	28.4	24	—
7	SFW7R-1/2STE1HLF	28.4	24	—
8	SFW8R-1/2STE1HLF	28.4	24	—
9	SFW9R-1/2STE1HLF	28.4	24	—
10	SFW10R-1/2STE1HLF	28.4	24	—
11	SFW11R-1/2STE1HLF	28.4	24	—
12	SFW12R-1/2STE1HLF	28.4	24	—
13	SFW13R-1/2STE1HLF	36.4	32	28.4
14	SFW14R-1/2STE1HLF	36.4	32	28.4
15	SFW15R-1/2STE1HLF	36.4	32	28.4
16	SFW16R-1/2STE1HLF	36.4	32	28.4
17	SFW17R-1/2STE1HLF	48.4	44	40.4
18	SFW18R-1/2STE1HLF	48.4	44	40.4
19	SFW19R-1/2STE1HLF	48.4	44	40.4
20	SFW20R-1/2STE1HLF	48.4	44	40.4
21	SFW21R-1/2STE1HLF	48.4	44	40.4
22	SFW22R-1/2STE1HLF	48.4	44	40.4
23	SFW23R-1/2STE1HLF	48.4	44	40.4
24	SFW24R-1/2STE1HLF	48.4	44	40.4
25	SFW25R-1/2STE1HLF	48.4	44	40.4
26	SFW26R-1/2STE1HLF	48.4	44	40.4
27	SFW27R-1/2STE1HLF	48.4	44	40.4
28	SFW28R-1/2STE1HLF	60.4	56	52.4
29	SFW29R-1/2STE1HLF	60.4	56	52.4
30	SFW30R-1/2STE1HLF	60.4	56	52.4



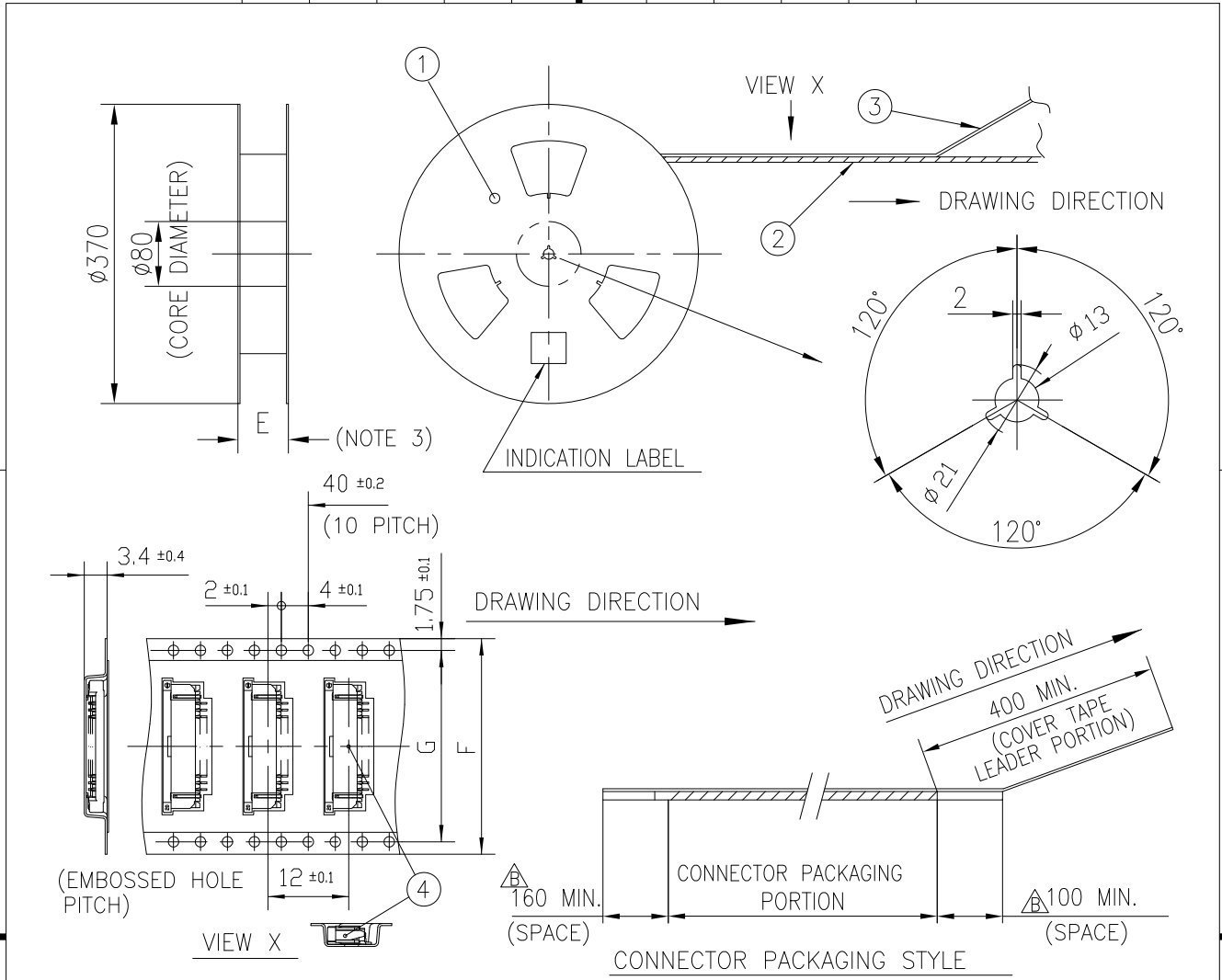
NOTES

1. THIS PRODUCT IS THE CONNECTOR USED FOR FPC/FFC AND COPEs WITH AUTOMATIC MOUNTING (SMT).
2. THIS CATALOG NO. INDICATES PLASTIC TAPE PACKAGED CONNECTOR.
3. SEE PART DRAWINGS FOR DIMENSIONS E~G.

Amphenol FCI

© 2016 AFCl

mat'l. code		surface ISO 1302 <input checked="" type="checkbox"/>		tolerance ISO 406 ISO 1101		projection		product family 58RF	
ltr	ecn no	dr	date			tolerances unless otherwise specified		title	
B						angles linear		CAT. NO. TABLE FOR PLASTIC TAPE PACKAGED 1mm SPACING SMT CONNECTOR (Cat. No. SFW__R-1/2STE1HLF)	
			dr	S.WATANABE	2019-3-20	MM		scale N/A	
			enr	S.WATANABE	2019-3-20	Amphenol FCI		dwg no sheet 5 of 9 size	
			chr	S-H.THIO	2019-3-20			10116434 A4	
			appd	Y.KAMEDA	2019-3-20			type Product Customer Drawing	
sheet index	revision sheet								

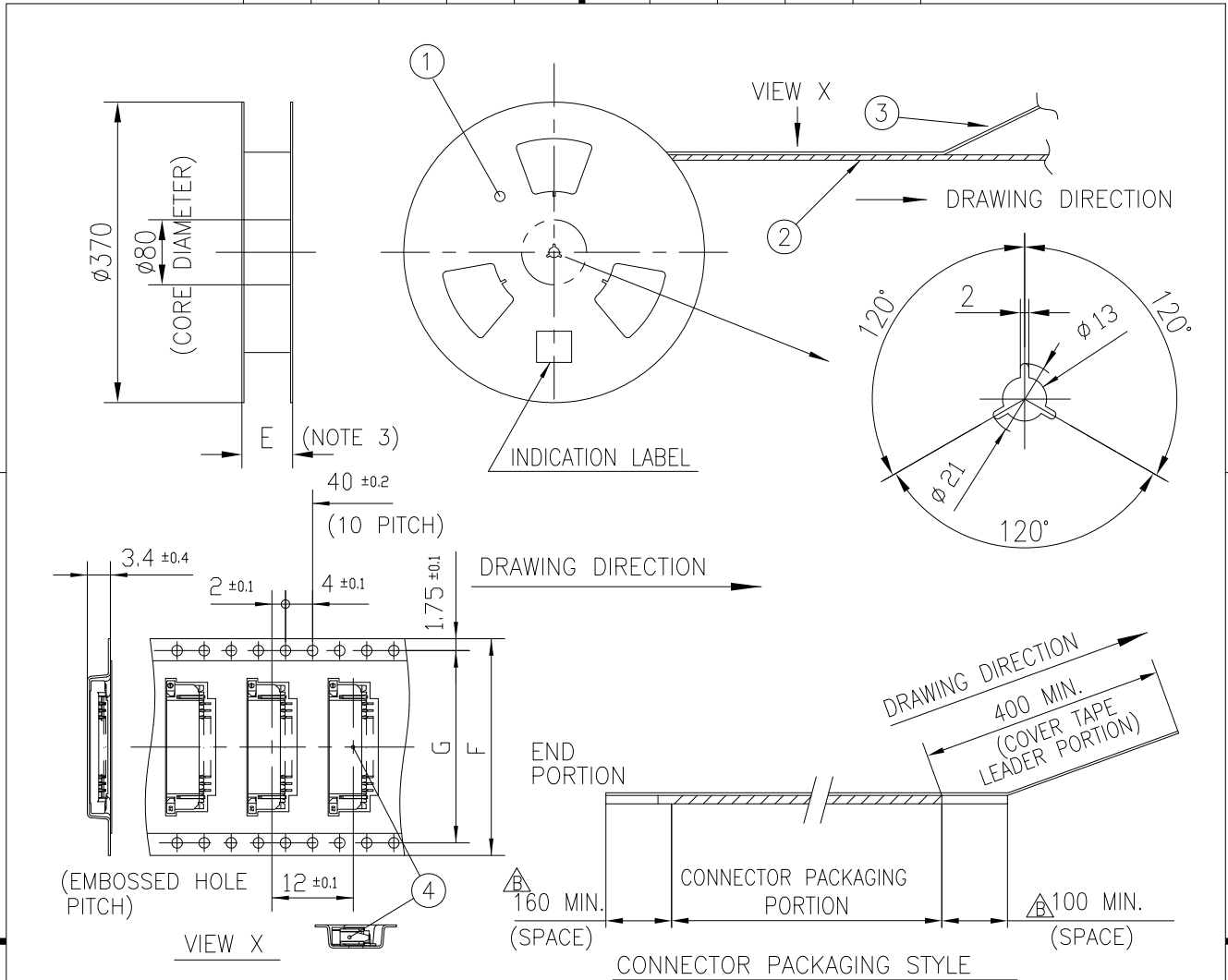


PT. NO.	PARTS NAME	CAT. NO.	MATERIAL	Q'TY	NOTE
1	REEL	_____	CARDBOARD	1	COLOR : WHITE
2	PLASTIC (EMBOSS) TAPE	_____	△ PS or A-PET	_____	COLOR : TRANSPARENCY
3	COVER	_____	△ POLYESTER,POLYETHYLENE	_____	COLOR : TRANSPARENCY
4	CONNECTOR	SFW__R-1ST__HLF	SEE SHEET 3	2000	LOWER CONTACT TYPE

NOTES

1. THIS IS PLASTIC TAPE PACKAGED CONNECTOR USED FOR FPC/FFC AND COPES WITH AUTOMATIC MOUNTING (SMT).
2. SEE JIS C 0806 (PACKING OF ELECTRONIC COMPONENTS ON CONTINUOUS TAPES (SURFACE MOUNTING DEVICES)) FOR SHAPE AND DIMENSIONS OF PLASTIC (EMBOSS) TAPE AND REEL.
3. E DIMENSION IS PORTION OF THE CORE.

mat'l. code		surface ISO 1302 <input checked="" type="checkbox"/>		tolerance ISO 406 ISO 1101		projection		product family 58RF	
ltr	ecn no	dr	date			tolerances unless otherwise specified		title	
B						angles linear ±5		PLASTIC TAPE PACKAGED 1mm SPACING SMT CONNECTOR (Cat. No. SFW__R-1STE1HLF)	
						MM		scale N/A	
			dr	S.WATANABE	2019-3-20	Amphenol FCi		dwg no sheet 6 of 9 size	
			enr	S.WATANABE	2019-3-20			10116434 A4	
			chr	S-H.THIO	2019-3-20				
			appd	Y.KAMEDA	2019-3-20				
sheet index		revision sheet						type Product Customer Drawing	



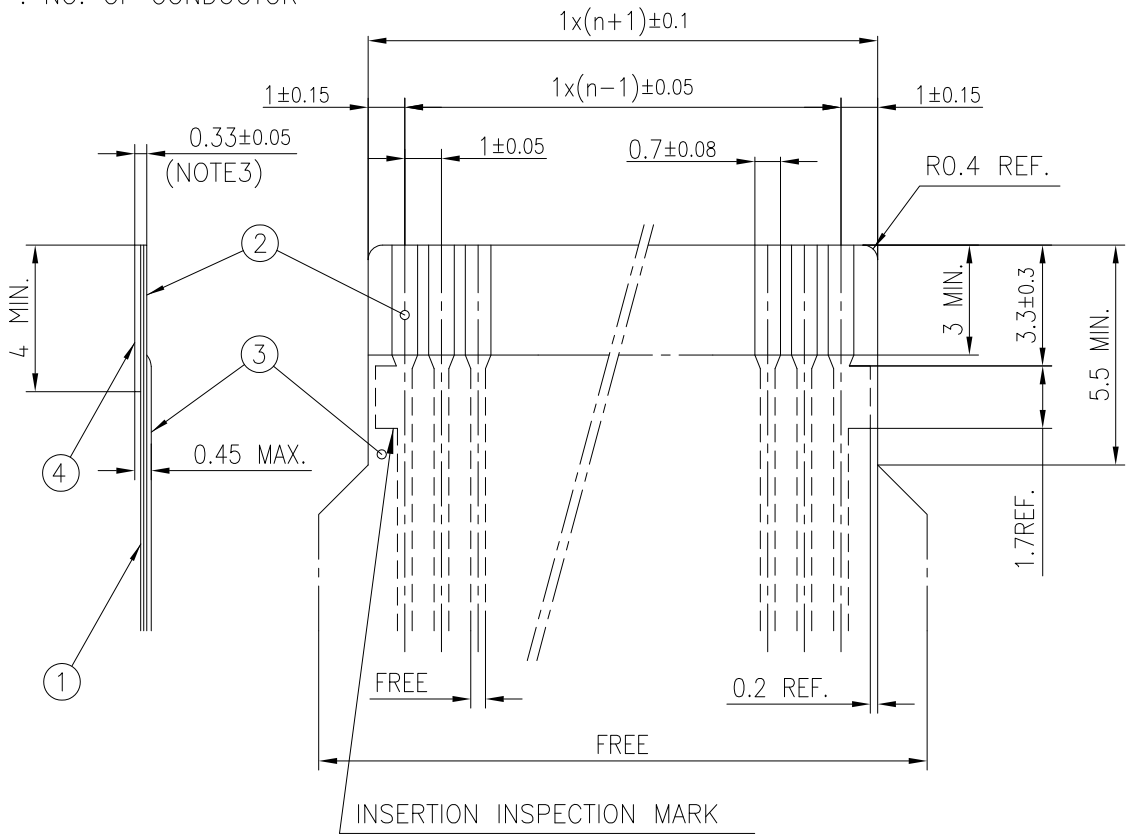
PT. NO.	PARTS NAME	CAT. NO.	MATERIAL	Q'TY	NOTE
1	REEL	_____	CARDBOARD	1	COLOR : WHITE
2	PLASTIC (EMBOSS) TAPE	_____	△ PS or A-PET	_____	COLOR : TRANSPARENCY
3	COVER	_____	△ POLYESTER,POLYETHYLENE	_____	COLOR : TRANSPARENCY
4	CONNECTOR	SFW__R-2ST__HLF	SEE SHEET 4	2000	UPPER CONTACT TYPE

NOTES

- THIS IS PLASTIC TAPE PACKAGED CONNECTOR USED FOR FPC/FFC AND COPES WITH AUTOMATIC MOUNTING (SMT).
- SEE JIS C 0806 (PACKING OF ELECTRONIC COMPONENTS ON CONTINUOUS TAPES (SURFACE MOUNTING DEVICES)) FOR SHAPE AND DIMENSIONS OF PLASTIC (EMBOSS) TAPE AND REEL.
- E DIMENSION IS PORTION OF THE CORE.

mat'l. code		surface ISO 1302		tolerance ISO 406 ISO 1101		projection		product family 58RF	
ltr	ecn no	dr	date	tolerances unless otherwise specified		MM		title	
B				angles	linear	scale N/A		PLASTIC TAPE PACKAGED 1mm SPACING SMT CONNECTOR (Cat. No. SFW__R-2STE1HLF)	
				dr	S.WATANABE	2019-3-20	Amphenol FCi	dwg no sheet 7 of 9 size	
				enr	S.WATANABE	2019-3-20		10116434 A4	
				chr	S-H.THIO	2019-3-20			
				appd	Y.KAMEDA	2019-3-20		type Product Customer Drawing	
sheet index	revision sheet								

RECOMMENDED CABLE (FPC)
 n : NO. OF CONDUCTOR



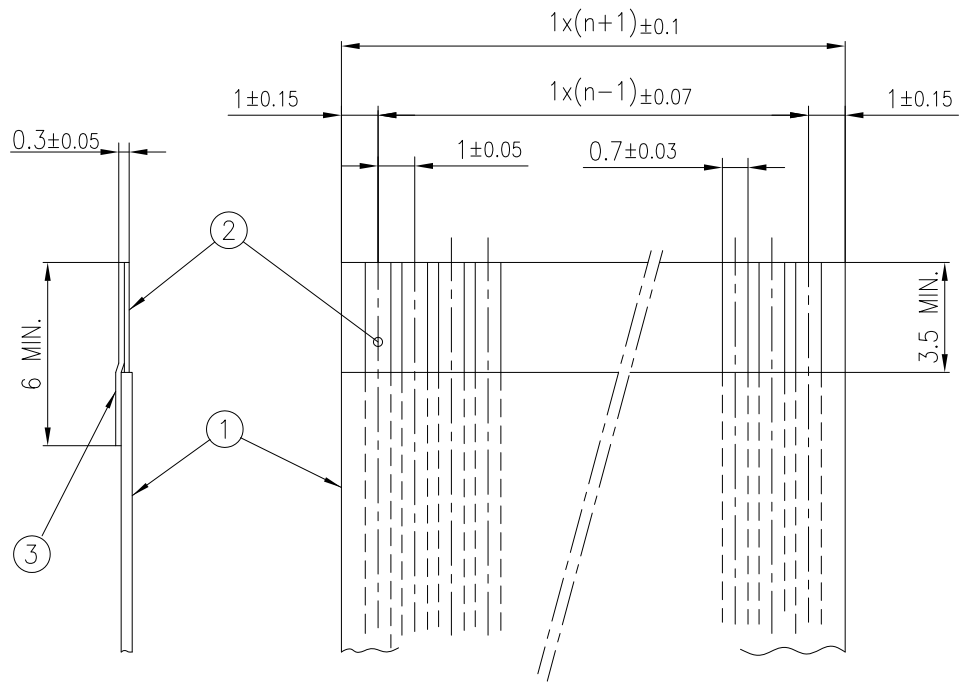
PT. NO.	PARTS NAME	MATERIAL	THICKNESS (um)
1	BASE FILM	POLYIMIDE OR POLYESTER OR EQUAL	25
2	CONDUCTOR	COPPER FOIL (PLATING: TIN OR SOLDER 1um MIN.)	35
3	OVERLAY	POLYIMIDE OR POLYESTER OR EQUAL	—
4	SUPPORTING TAPE	POLYESTER OR POLYIMIDE OR EQUAL	188

- NOTES
1. NO BURR AT EACH PORTION.
 2. NO PEELING IN COMMON USE.
 3. TOTAL THICKNESS LIMIT OF EACH MATERIAL (INCLUDING ADHESIVE AGENT) IS SPECIFIED.

mat'l. code		surface		tolerance		projection		product family	
—		ISO 1302 ✓		ISO 406 ISO 1101				58RF	
ltr	ecn no	dr	date	tolerances unless otherwise specified				title	
B				angles	linear			RECOMMENDED CABLE	
								(Cat. No. SFW__R-1/2__)	
				dr	S.WATANABE	2019-3-20		dwg no	
				enr	S.WATANABE	2019-3-20		sheet 8 of 9	
				chr	S-H.THIO	2019-3-20		size	
				appd	Y.KAMEDA	2019-3-20		A4	
sheet index		revision sheet		type Product Customer Drawing					

RECOMMENDED CABLE (FFC)

n : NO. OF CONDUCTOR



PT. NO.	PARTS NAME	MATERIAL	NOTE
1	INSULATOR	FLAME RESISTING POLYESTER OR EQUAL	_____
2	CONDUCTOR	COPPER FOIL	PLATING:TIN OR SOLDER 1um MIN.
3	SUPPORTING TAPE	FLAME RESISTING POLYESTER OR EQUAL	_____

NOTES

1. NO BURR AT EACH PORTION.
2. NO PEELING IN COMMON USE.

Amphenol FCI

© 2016 AFCl

©

©

mat'l. code		surface ISO 1302 <input checked="" type="checkbox"/>		tolerance ISO 406 ISO 1101		projection		product family 58RF	
ltr	ecn no	dr	date		tolerances unless otherwise specified		title		sheet 9 of 9 size
B					angles	linear	RECOMMENDED CABLE (Cat. No. SFW__R-1/2__)		
			dr	S.WATANABE	2019-3-20	MM		dwg no 10116434	
			enr	S.WATANABE	2019-3-20	scale N/A		sheet 9 of 9 size	
			chr	S-H.THIO	2019-3-20	Amphenol FCI		A4	
			appd	Y.KAMEDA	2019-3-20			type Product Customer Drawing	
sheet index	revision sheet								