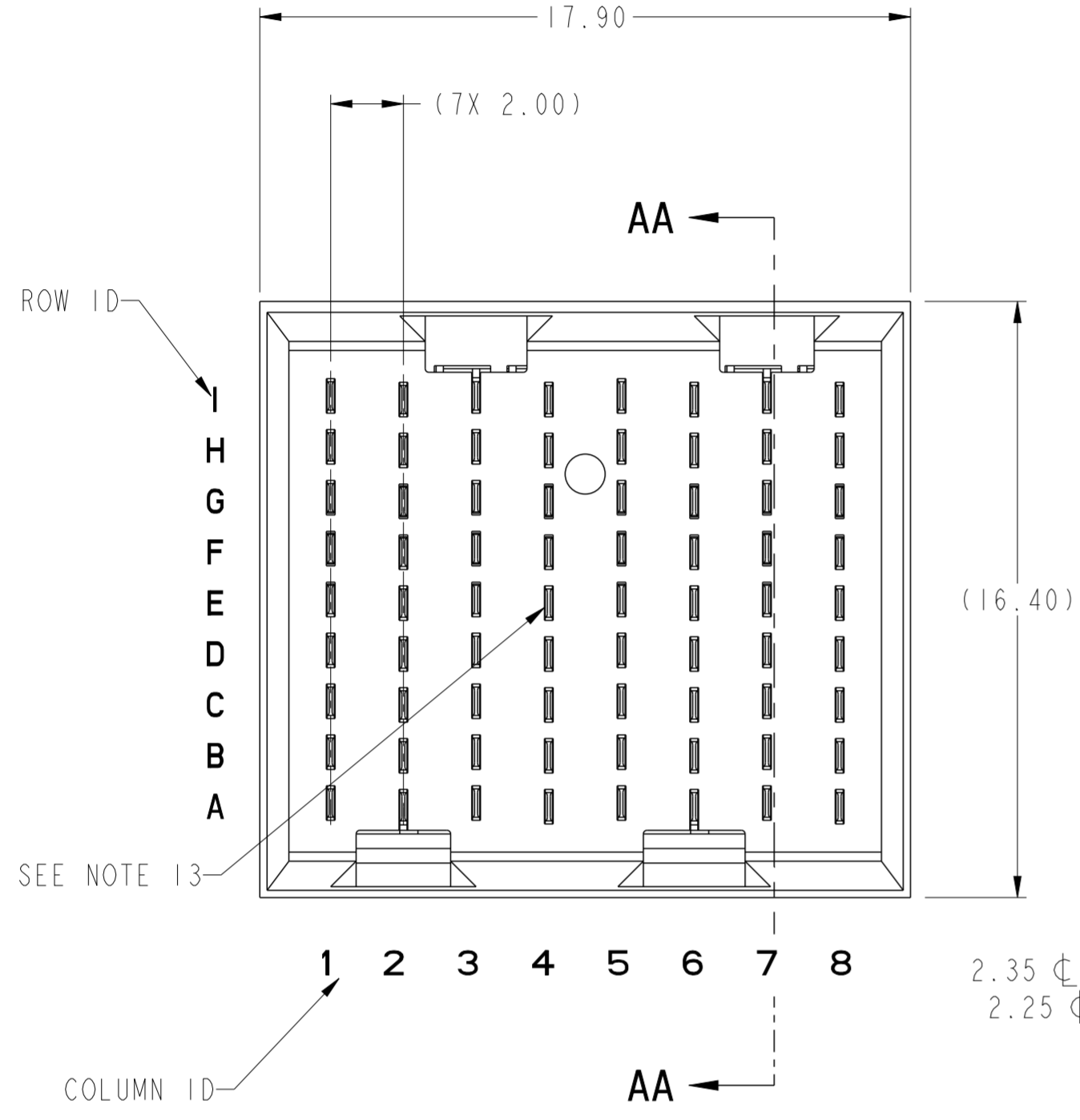


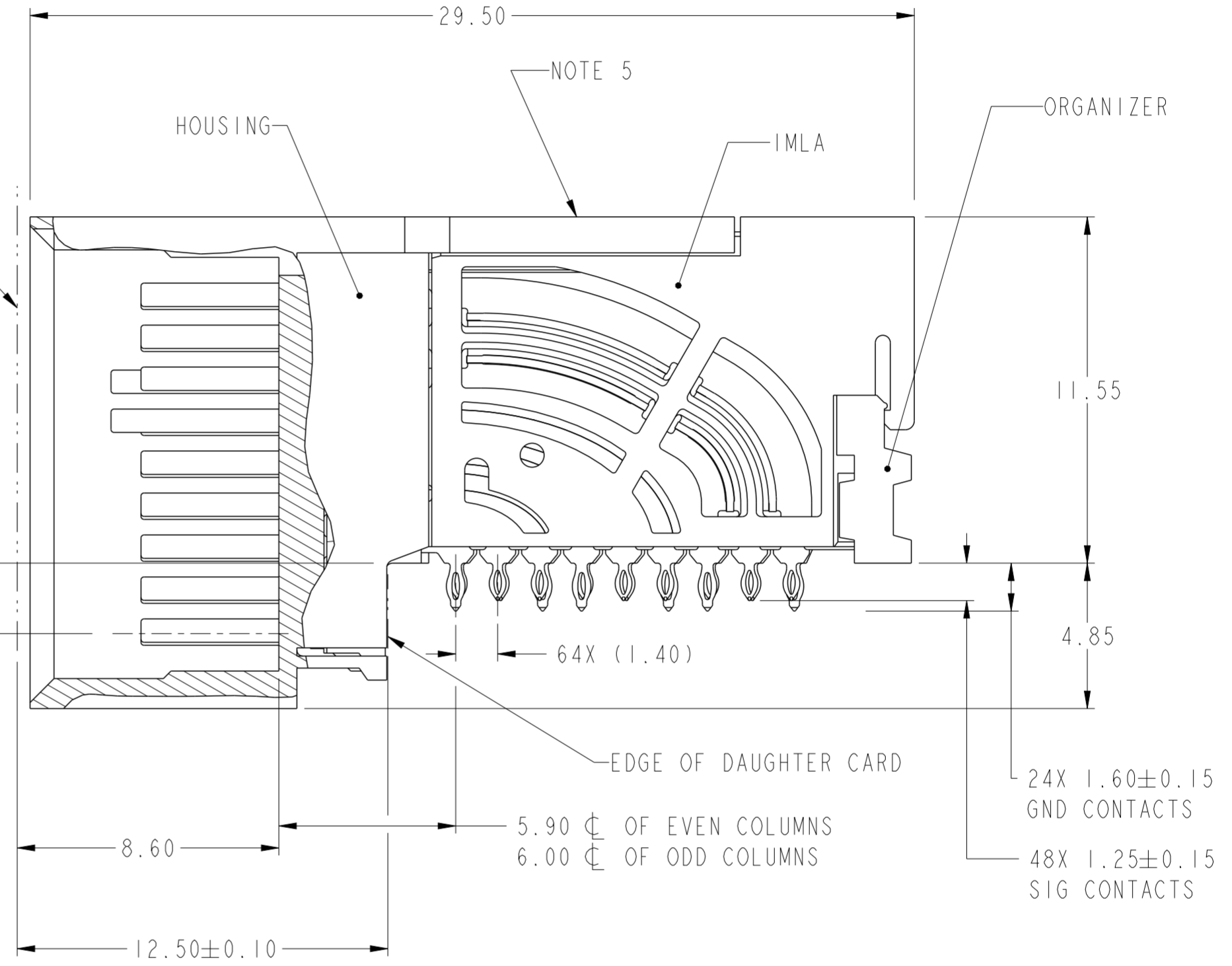
PRODUCT NUMBER  
SEE SHEET 3



TOP SURFACE OF MOTHER BOARD

TOP SURFACE OF DAUGHTER CARD

2.35  $\phi$  OF EVEN COLUMNS  
2.25  $\phi$  OF ODD COLUMNS



SECTION AA-AA

Amphenol FCI

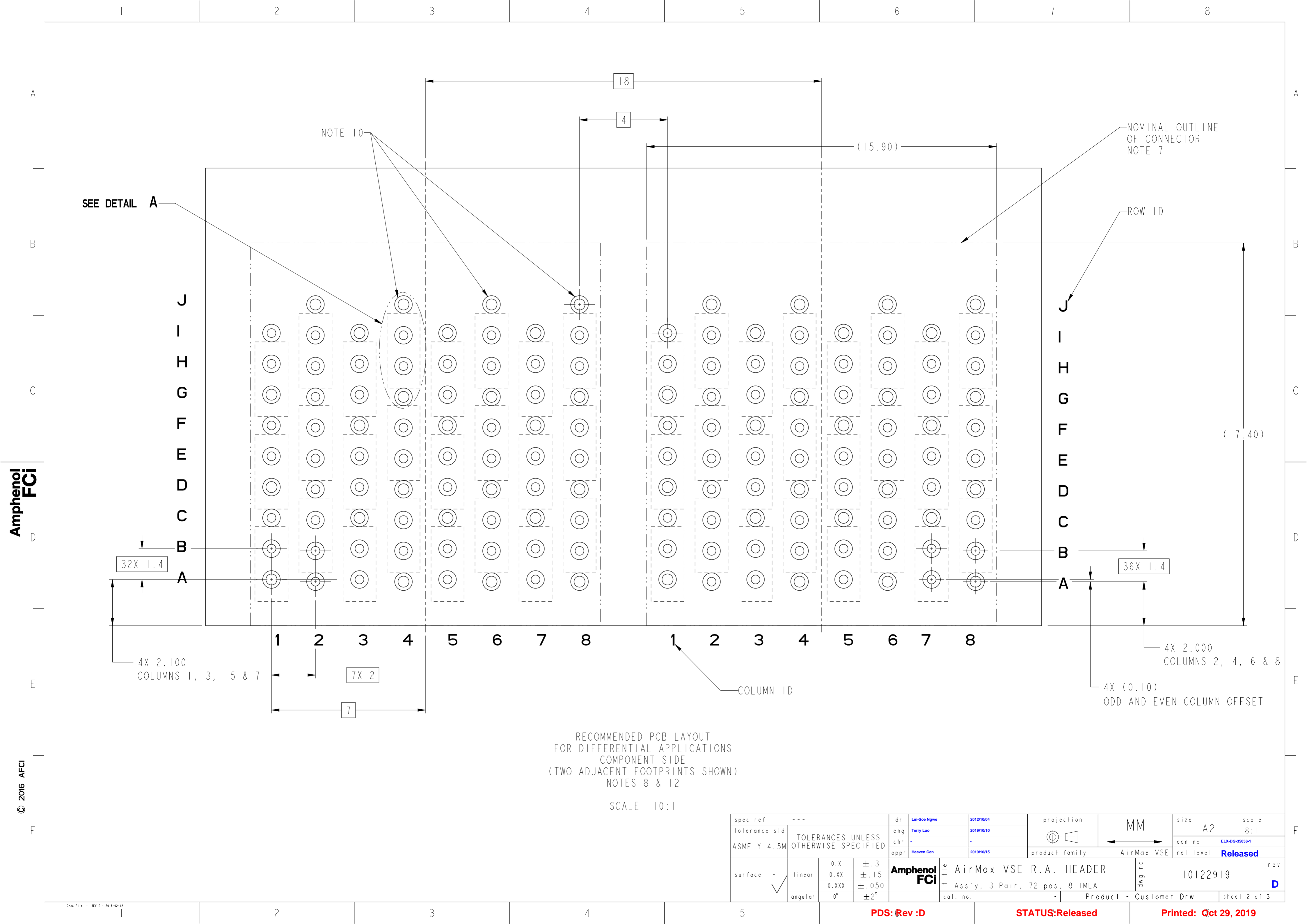
© 2016 APCI

spec ref	---	dr	Lin-Soo Ngwe	2012/1004	projection	MM	size	A2	scale	6:1												
tolerance std	ASME Y14.5M	eng	Terry Luo	2019/10/10			ecn no	ELX-DG-35036-1	rel level	Released												
TOLERANCES UNLESS OTHERWISE SPECIFIED		chr	-	product family			AirMax VSE															
surface	<table border="1"> <tr> <td>linear</td> <td>0.X</td> <td><math>\pm</math>.3</td> </tr> <tr> <td></td> <td>0.XX</td> <td><math>\pm</math>.15</td> </tr> <tr> <td></td> <td>0.XXX</td> <td><math>\pm</math>.050</td> </tr> <tr> <td>angular</td> <td>0°</td> <td><math>\pm</math>2°</td> </tr> </table>	linear	0.X	$\pm$ .3				0.XX			$\pm$ .15		0.XXX	$\pm$ .050	angular	0°	$\pm$ 2°	apppr	Heaven Cen	2019/10/15	title	AirMax VSE R.A. HEADER Ass'y, 3 Pair, 72 pos, 8 IMLA
linear	0.X	$\pm$ .3																				
	0.XX	$\pm$ .15																				
	0.XXX	$\pm$ .050																				
angular	0°	$\pm$ 2°																				
		cat. no.	-	Product - Customer Drw	sheet 1 of 3																	

PDS: Rev :D

STATUS:Released

Printed: Oct 29, 2019



RECOMMENDED PCB LAYOUT  
 FOR DIFFERENTIAL APPLICATIONS  
 COMPONENT SIDE  
 (TWO ADJACENT FOOTPRINTS SHOWN)  
 NOTES 8 & 12

SCALE 10:1

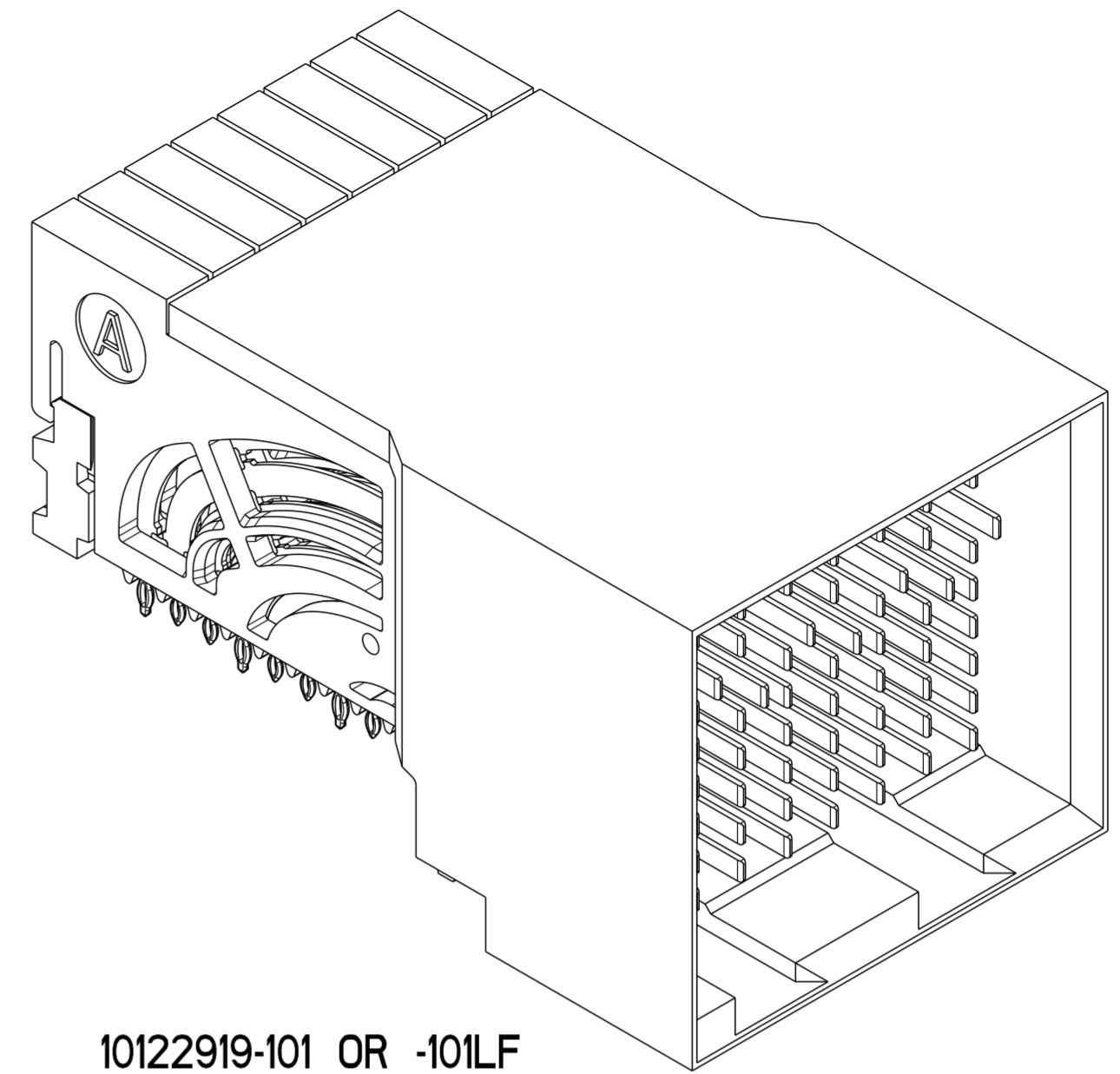
spec ref	---	dr	Lin-Soo Ngwe	2012/10/04	projection	MM	size	A2	scale	8:1
tolerance std	ASME Y14.5M	eng	Terry Luo	2019/10/10			ecn no	ELX-DG-35036-1		
TOLERANCES UNLESS OTHERWISE SPECIFIED		chr	-	rel level				Released		
surface	-	appr	Heaven Cen	2019/10/15	product family	AirMax VSE	rel level	Released		
linear 0.X ±.3 0.XX ±.15 0.XXX ±.050 angular 0° ±2°		<b>Amphenol FCI</b>				title AirMax VSE R.A. HEADER Ass'y, 3 Pair, 72 pos, 8 IMLA		dwg no 10122919	rev D	
		cat. no.				Product - Customer Drw		sheet 2 of 3		
		PDS: Rev :D				STATUS:Released		Printed: Oct 29, 2019		

Amphenol  
FCI

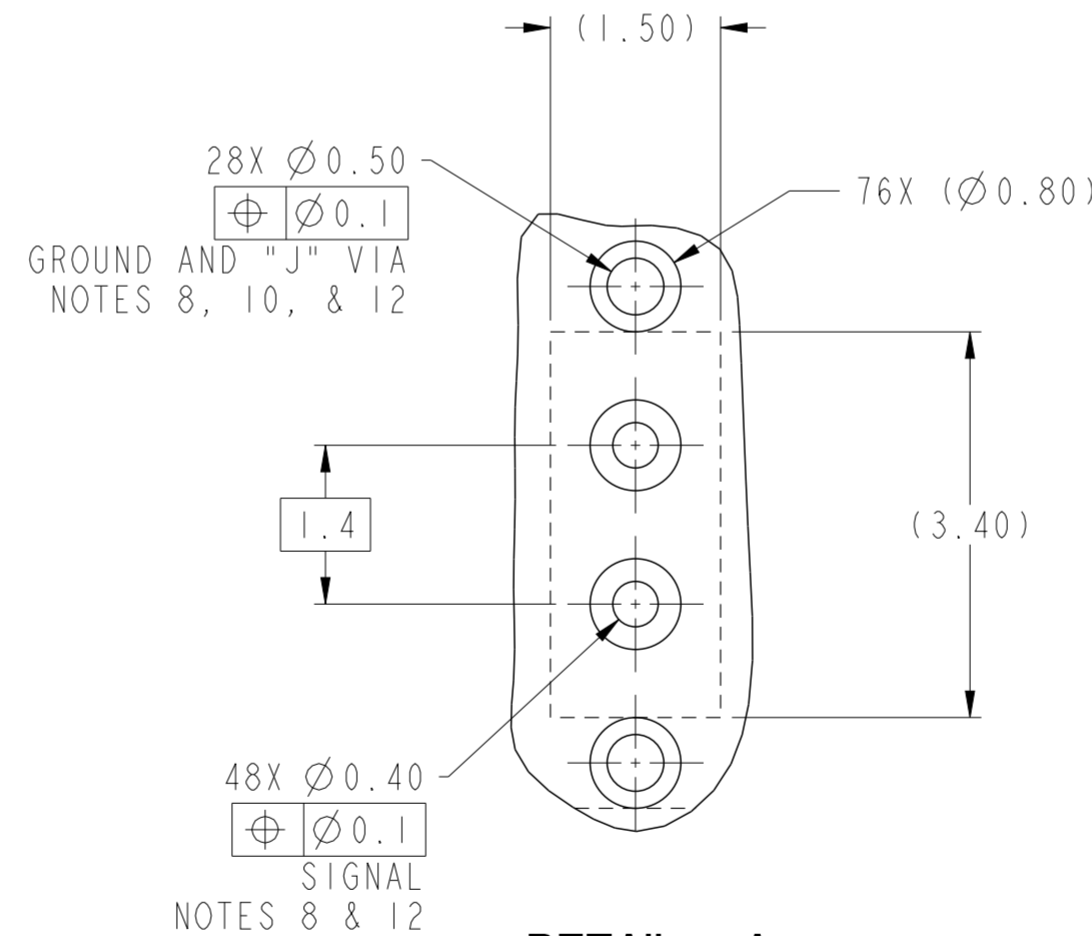
© 2016 APCI

PRODUCT NUMBER	PRESS-FIT TAIL PLATING TYPE	SHORT DETECTION CONTACT
10122919-101	TIN/LEAD ALLOY OVER NICKEL	NO
10122919-101LF	TIN OVER NICKEL (LEAD FREE)	NO
10122919-111LF	TIN OVER NICKEL (LEAD FREE)	YES (SEE NOTE 13)

- ① - CONNECTOR MATERIALS:  
HOUSING: HIGH TEMP THERMOPLASTIC, NATURAL, UL94-V0  
IMLA PLASTIC: HIGH TEMP THERMOPLASTIC, BLACK, UL94-V0  
CONTACT: COPPER ALLOY  
ORGANIZER: HIGH TEMP THERMOPLASTIC, NATURAL, UL94-V0
- 2 - CONTACT PLATING:  
SEPARABLE INTERFACE:  
PERFORMANCE-BASED PLATING, QUALIFIED TO MEET THE REQUIREMENTS OF FCI PRODUCT SPECIFICATION GS-12-0956 INCLUDING TELCORDIA GR-1217-CORE (NOVEMBER 1995) CENTRAL OFFICE TEST SEQUENCE  
PRESS-FIT TAILS: SEE TABLE
- 3 - PRODUCT SPECIFICATION: GS-12-0956
- 4 - APPLICATION SPECIFICATION: GS-20-0305
- ⑤ - PRODUCT MARKING, (PROTOTYPE, PART NUMBER & LOT CODE), ON THIS SURFACE.
- ⑥ - POSITIONS "F" OF ODD NUMBERED COLUMNS AND POSITIONS "G" OF EVEN NUMBERED COLUMNS CORRESPOND TO EARLY MATE HEADER PINS.
- ⑦ - CONNECTOR OUTLINE MAY BE SCREEN PRINTED ONTO CUSTOMER PCB TO BE USED AS A GUIDE FOR CONNECTOR PLACEMENT.
- ⑧ - REFER TO CUSTOMER DRAWING 10104444 FOR INFORMATION ON PCB HOLE DIAMETERS AND PLATING OPTIONS
- 9 - LEAD FREE PRODUCT MEETS THE EUROPEAN UNION DIRECTIVES & OTHER COUNTRY REGULATIONS AS DESCRIBED IN GS-22-008
- ⑩ - THESE OUTER VIAS (J) ARE OPTIONAL. WHILE NO CONNECTOR EONS ARE PRESSED INTO THESE HOLES WE RECOMMEND (Ø0.500) FINISHED HOLES AT THESE LOCATIONS TO PROVIDE GROUND SYMMETRY THROUGH THE PCB.
- 11 - PACKAGING MEETS GS-14-920 LEAD FREE LABELING SPECIFICATION.
- ⑫ - GROUND CONTACTS (C, F, & I IN ODD COLUMNS AND A, D, & G IN EVEN COLUMNS) REQUIRE (Ø0.50) FINISHED HOLES. SIGNAL LOCATIONS REQUIRE (Ø0.40) FINISHED HOLES
- ⑬ - MATING PIN E4 HAS 0.5mm LESS NOMINAL WIPE THAN THE SHORTEST PIN.



10122919-101 OR -101LF



DETAIL A  
SCALE 15:1

spec ref	---	dr	Lin-Soo Ngwe	2012/10/04	projection	MM	size	A2	scale	5:1
tolerance std	ASME Y14.5M	eng	Terry Luo	2019/10/10			ecn no	ELX-DG-35036-1	rel level	Released
TOLERANCES UNLESS OTHERWISE SPECIFIED		chr	-	appr			Heaven Cen	2019/10/15		product family
surface	linear	0.X	±.3		title		AirMax VSE R.A. HEADER	dwg no 10122919	rev D	
		0.XX	±.15		Ass'y, 3 Pair, 72 pos, 8 IMLA					
		0.XXX	±.050		cat. no.					
	angular	0°	±2°	Product - Customer Drw		sheet 3 of 3				