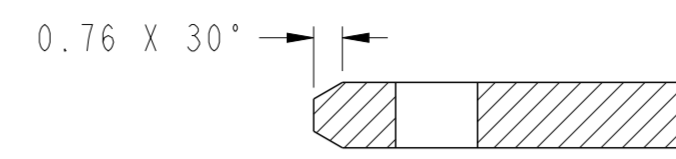


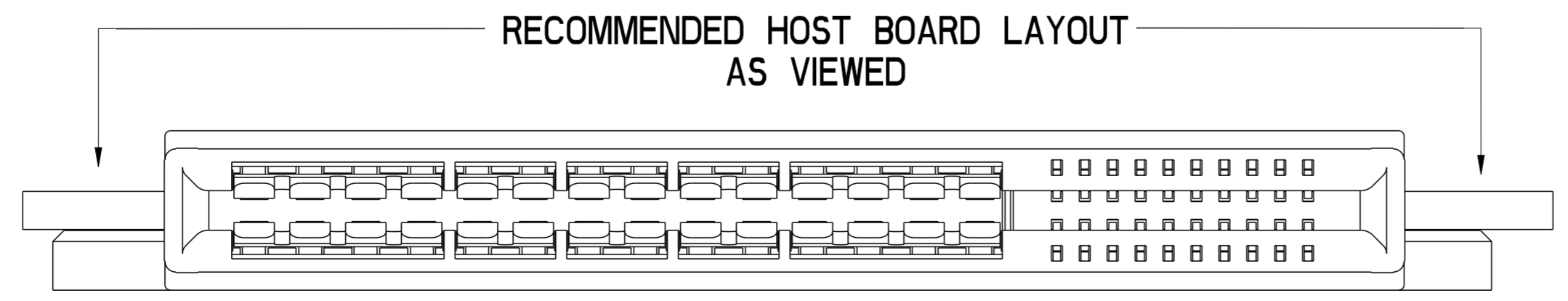
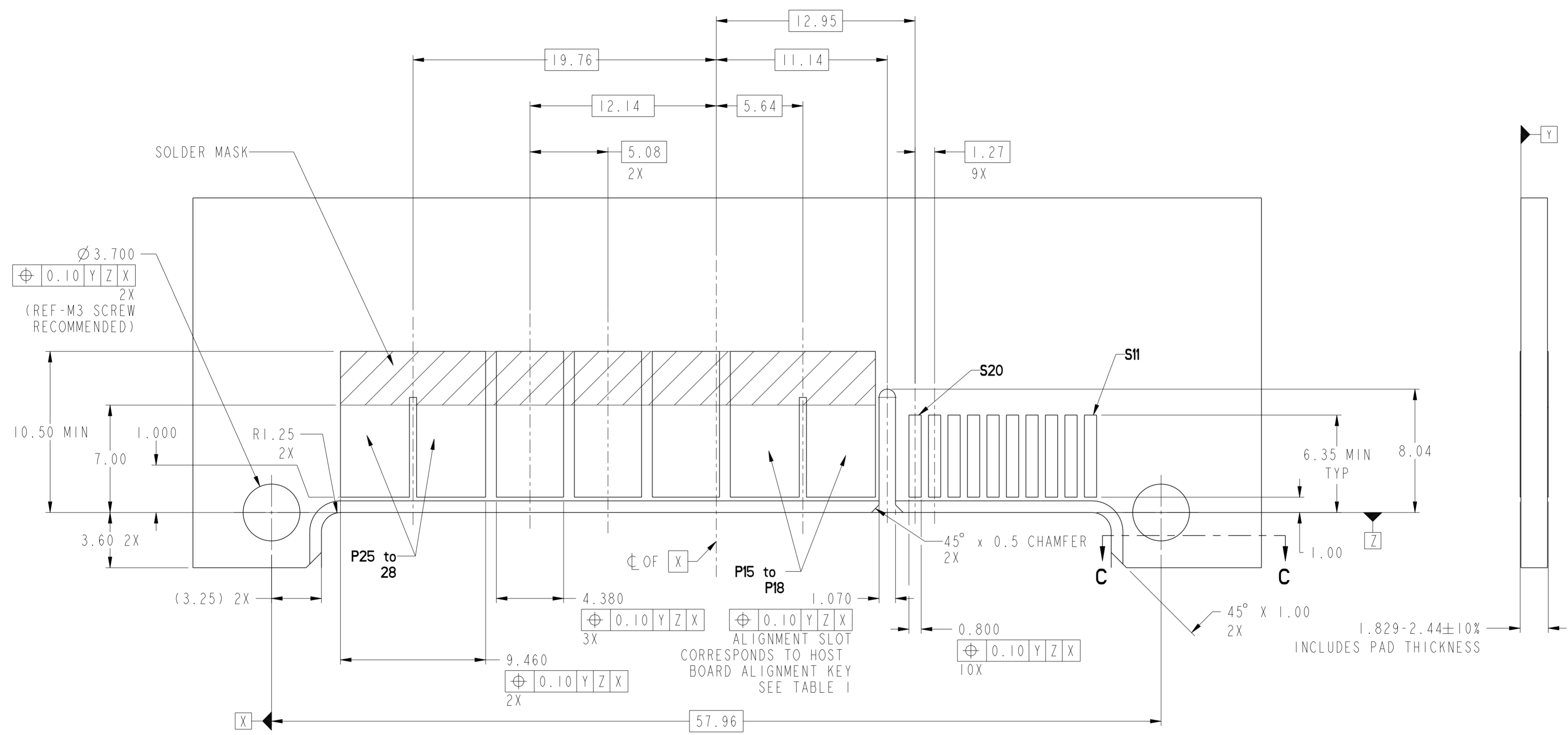
SECTION A-A

SECTION B-B

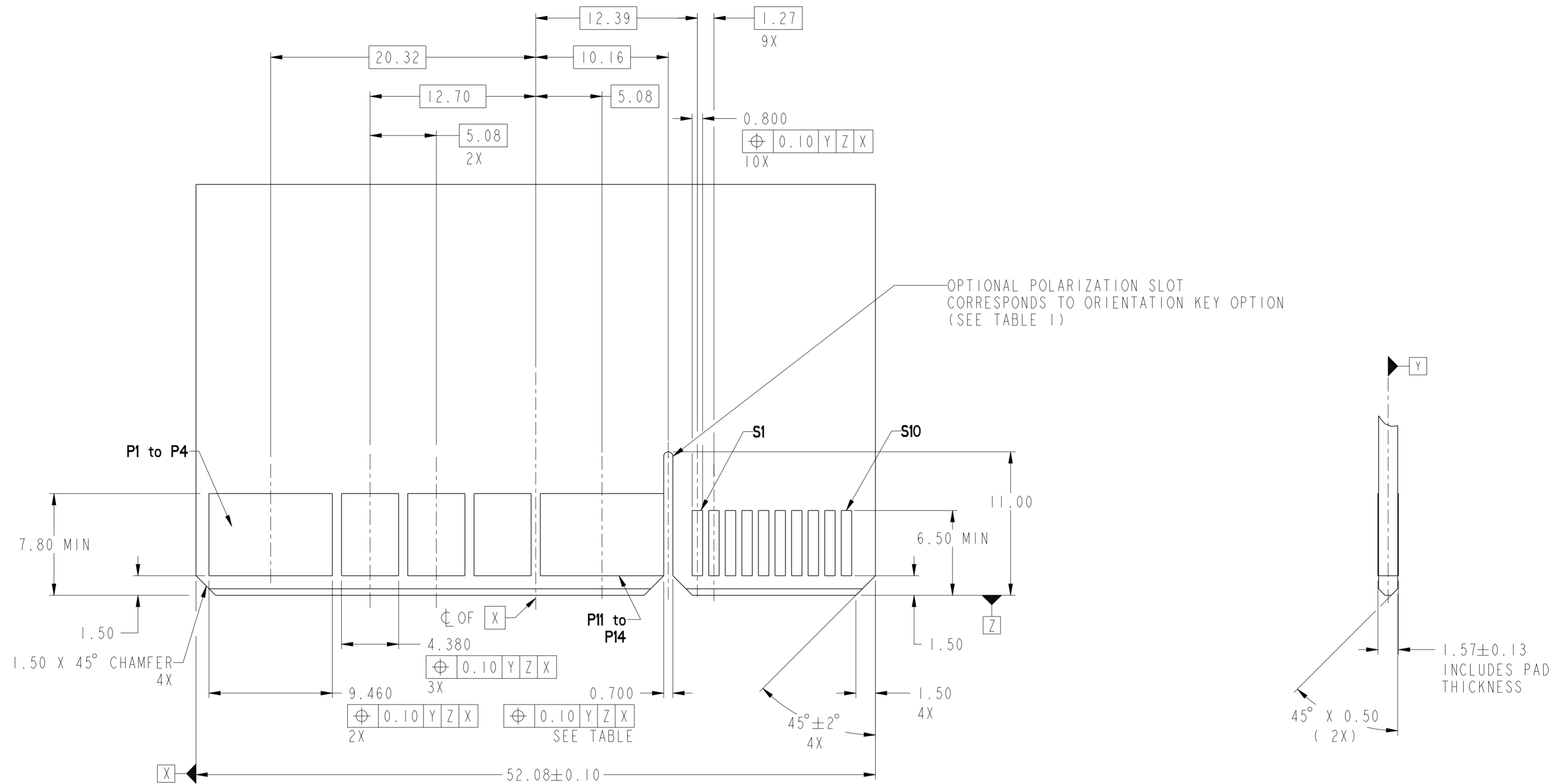
spec ref	-	dr	Chris Gieski	2012/10/08	<b>Amphenol Power Solutions</b> A Division of Amphenol Corporation amphenol-hcc.com	MM	scale	size
tolerance std	ISO 406 ISO 1101	eng	Sam Wu	2022/12/21		4:1	A2	
surface	ISO 1302	fwvr	-	-		ec n no	ELX-DG-46789-1	
TOLERANCES UNLESS OTHERWISE SPECIFIED		appr	Zheng, Pei-Min	2022/12/21	rel level	Released	cat. no.	10122992
linear	0.X ±0.3 0.XX ±0.1 0.XXX ±0.05	projection	STRADDLE MT. 28P-20S		dig no	10122992	rev	B
angular	0° ±°	product family	CARD EDGE		Product - Customer Drw	sheet 1 of 5		



SECTION C-C



dr	Chris Gieski	2012/10/08	<b>Amphenol Power Solutions</b> A Division of Amphenol Corporation amphenol-hcc.com	MM	scale	size
eng	Sam Wu	2022/12/21		2:1	A2	
rvwr	-	-		ec n no	ELX-DG-46789-1	
appr	Zheng, Pei-Min	2022/12/21	rel level	Released		
projection			title STRADDLE MT. 28P-20S HPCE-MULTI-HOST-BOARD THICKNESS	dwg no 10122992	rev B	
product family			Product - Customer Drw	sheet 2 of 5		

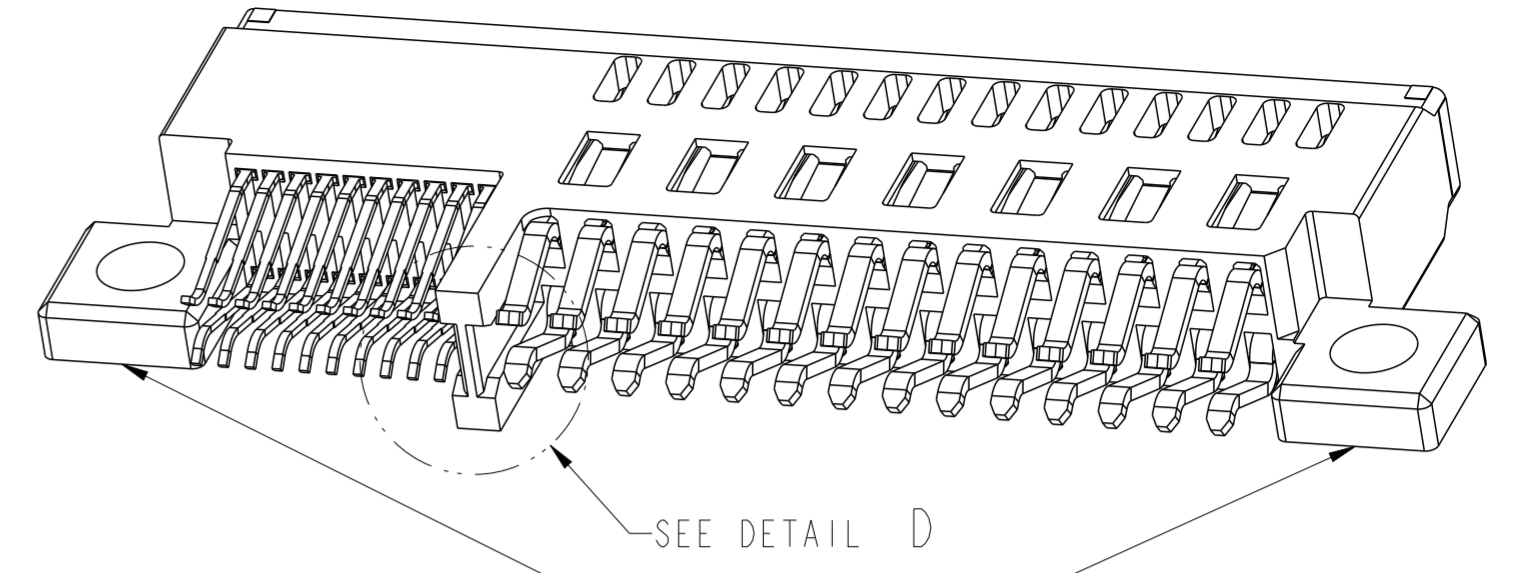


RECOMMENDED MATING BOARD  
FOOTPRINT

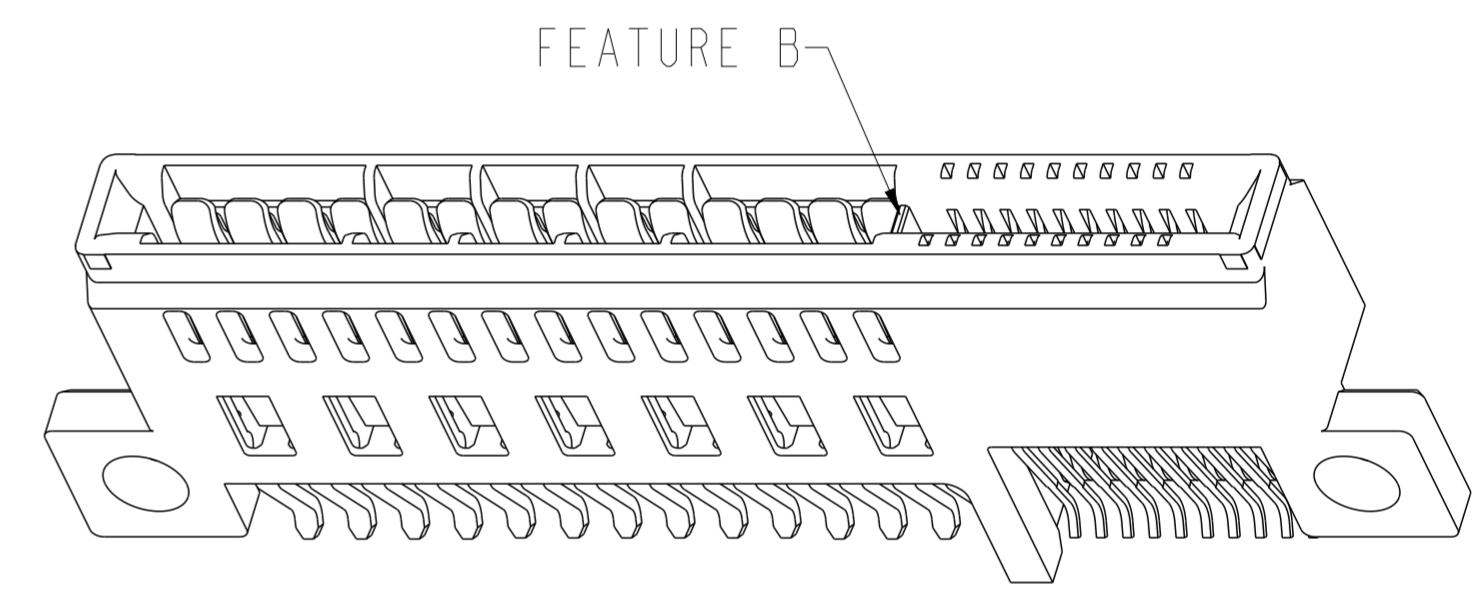
spec ref	-	dr	Chris Gieski	2012/10/08	<b>Amphenol Power Solutions</b> A Division of Amphenol Corporation amphenol-hcc.com	MM	scale	size
tolerance std	ISO 406 ISO 1101	eng	Sam Wu	2022/12/21		ec n no	1:1	A2
TOLERANCES UNLESS OTHERWISE SPECIFIED		r v w r	-	-		rel level	Released	
surface	ISO 1302	appr	Zheng, Pei-Min	2022/12/21	product family	STRADDLE MT. 28P-20S HPCE-MULTI-HOST-BOARD THICKNESS	cat. no.	10122992
	linear	0.X	±0.3	projection	Product - Customer Drw	sheet 3 of 5	rev	B
		0.XX	±0.1					
		0.XXX	±0.05					
	angular	0°	±°					

TABLE 1

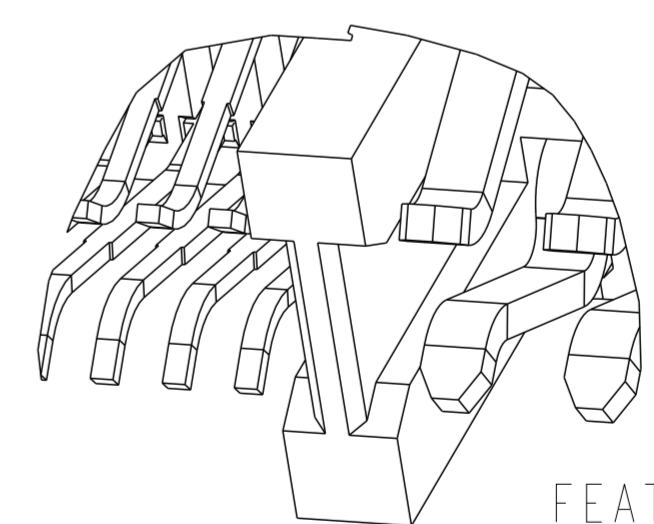
PART NUMBER	HOST BOARD Thickness	FEATURE C HOST BOARD ALIGNMENT KEY (SEE NOTE 8)	FEATURE A MOUNTING EARS	FEATURE B FRONT POLARIZATION KEY	MOUNTING EARS Height (mm)	DIM "S" (mm)
10122992-001LF	0.072" (1.83 mm) ±10%	YES	YES	NO	2.710	1.60
10122992-002LF			YES	YES		
10122992-003LF			NO	NO		
10122992-004LF			NO	YES		
10122992-005LF		NO	YES	NO		
10122992-006LF			YES	YES		
10122992-007LF			NO	NO		
10122992-008LF			NO	YES		
10122992-009LF	0.082" (2.08 mm) ±10%	YES	YES	NO	2.584	
10122992-010LF			YES	YES		
10122992-011LF			NO	NO		
10122992-012LF			NO	YES		
10122992-013LF		NO	YES	NO		
10122992-014LF			YES	YES		
10122992-015LF			NO	NO		
10122992-016LF			NO	YES		
10122992-017LF	0.096" (2.44 mm) ±10%	YES	YES	NO	2.406	
10122992-018LF			YES	YES		
10122992-019LF			NO	NO		
10122992-020LF			NO	YES		
10122992-021LF		NO	YES	NO		
10122992-022LF			YES	YES		
10122992-023LF			NO	NO		
10122992-024LF			NO	YES		
10122992-025LF	0.104" (2.64 mm) ±10%	YES	YES	NO	2.306	
10122992-026LF			YES	YES		
10122992-027LF			NO	NO		
10122992-028LF			NO	YES		
10122992-029LF		NO	YES	NO		
10122992-030LF			YES	YES		
10122992-031LF			NO	NO		
10122992-032LF			NO	YES		



FEATURE A



FEATURE B



FEATURE C

DETAIL D  
SCALE 8:1

Amphenol Power Solutions

© 2021 Amphenol Corporation

spec ref	-	dr	Chris Gieski	2012/10/08		MM	scale	size					
tolerance std	ISO 406 ISO 1101	eng	Sam Wu	2022/12/21		4:1	A2						
TOLERANCES UNLESS OTHERWISE SPECIFIED		r wvr	-	-		ec n no	ELX-DG-46789-1						
surface	linear	0.X	±0.3	0.XX		±0.1	0.XXX	±0.05	projection	STRADDLE MT. 28P-20S	dig no	10122992	rel level
ISO 1302	angular	0°	±°	product family		CARD EDGE	Product - Customer Drw		sheet 4 of 5	cat. no.	-	rev	B

PDS: Rev :B

STATUS:Released

Printed: Dec 21, 2022

NOTES:

1. CONNECTOR MATERIALS:
  - HOUSING: HIGH TEMPERATURE THERMAL PLASTIC, BLACK  
UL 94V-0 COMPLIANT
  - CONTACTS: HIGH PERFORMANCE COPPER ALLOY.
2. CONTACT FINISH REF. GS-12-604 SECTION 5.2.
3. PRODUCT SPECIFICATION: GS-12-604.
4. APPLICATION SPECIFICATION: GS-20-128.
5. PRODUCT MARKING (FCI - PART NUMBER & DATE CODE) ON HOUSING IN AREA SHOWN.
6. PACKAGING MEETS FCI SPECIFICATION GS-14-937.
7. HOUSING COMPONENT WILL WITHSTAND EXPOSURE TO 260°C PEAK TEMPERATURE FOR 60 SECONDS IN A CONVECTION, INFRA-RED, OR VAPOR PHASE REFLOW OVEN.
8. HOST BOARD ALIGNMENT KEY IS RECOMMENDED TO ENSURE PROPER ALIGNMENT OF SOLDER TAILS WITH HOST BOARD PADS.

Amphenol Power Solutions

© 2021 Amphenol Corporation

spec ref -		dr	Chris Gieski	2012/10/08		MM	scale	size	
tolerance std ISO 406 ISO 1101		eng	Sam Wu	2022/12/21		4:1	A2		
TOLERANCES UNLESS OTHERWISE SPECIFIED		fwvr	-	-		ec n no	ELX-DG-46789-1		
surface		appr	Zheng, Pei-Min	2022/12/21	A Division of Amphenol Corporation		amphenol-hcc.com	rel level	Released
ISO 1302	linear	0.X	±0.3		STRADDLE MT. 28P-20S		dig no	10122992	rev
		0.XX	±0.1		HPCE-MULTI-HOST-BOARD THICKNESS		cat. no.	-	B
	angular	0°	±°		CARD EDGE		Product - Customer Drw		sheet 5 of 5

PDS: Rev :B

STATUS:Released

Printed: Dec 21, 2022