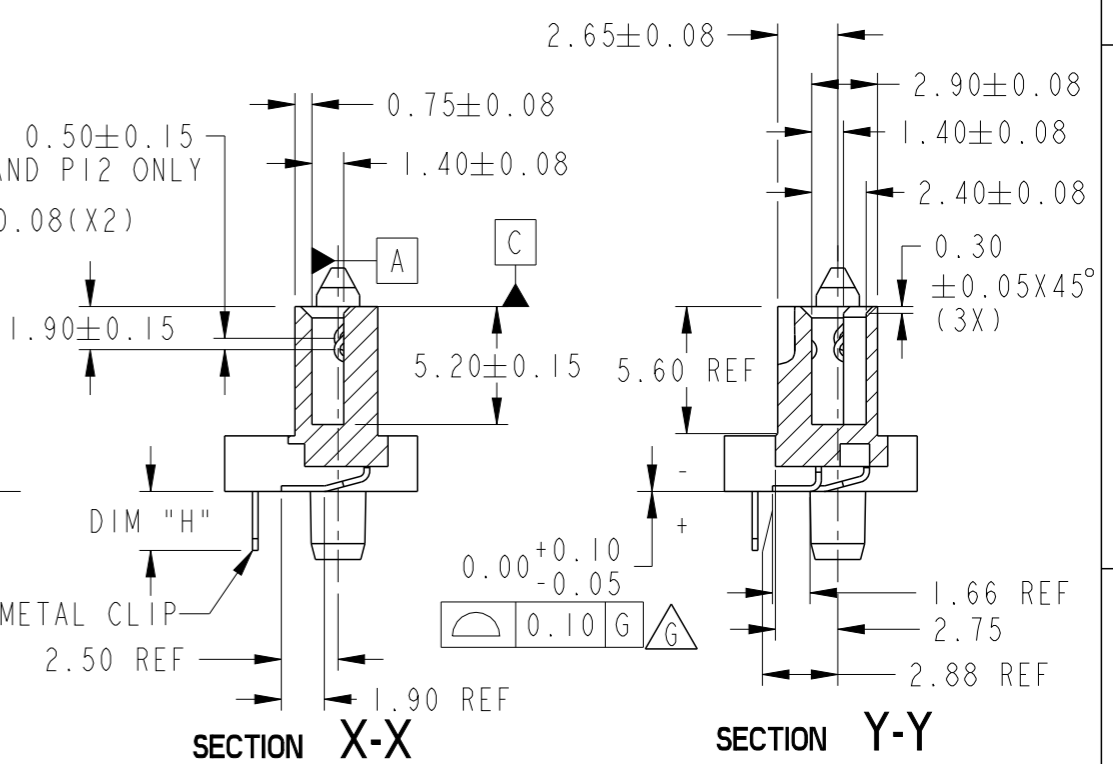
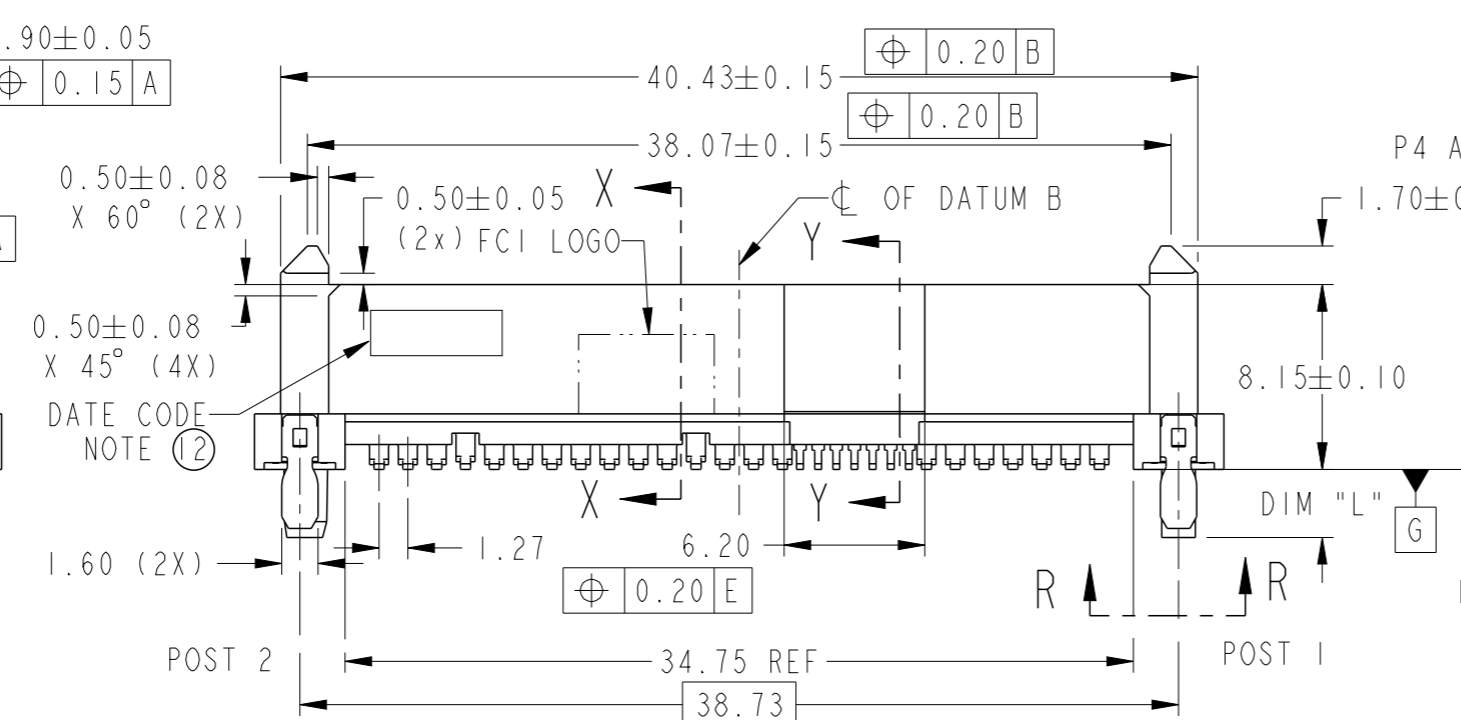
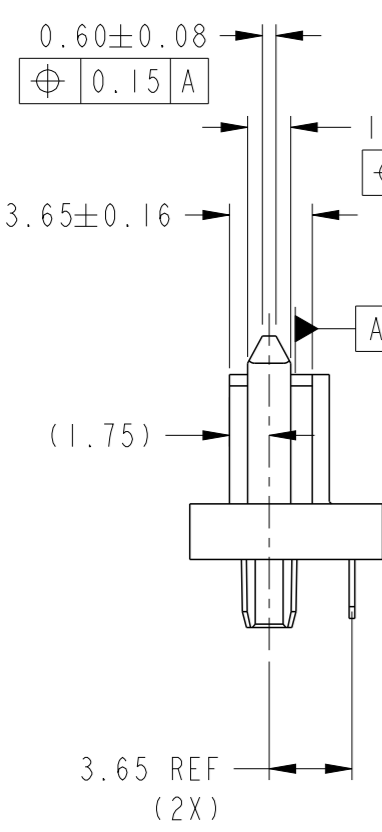
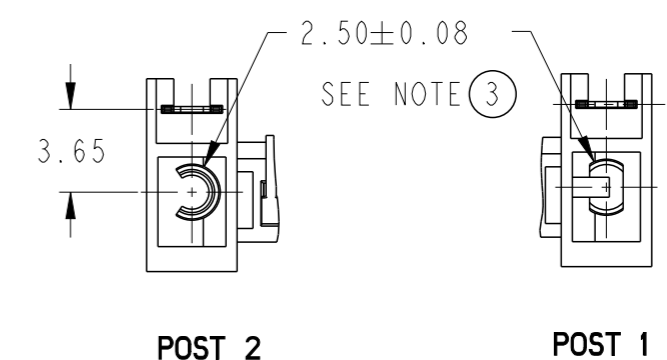
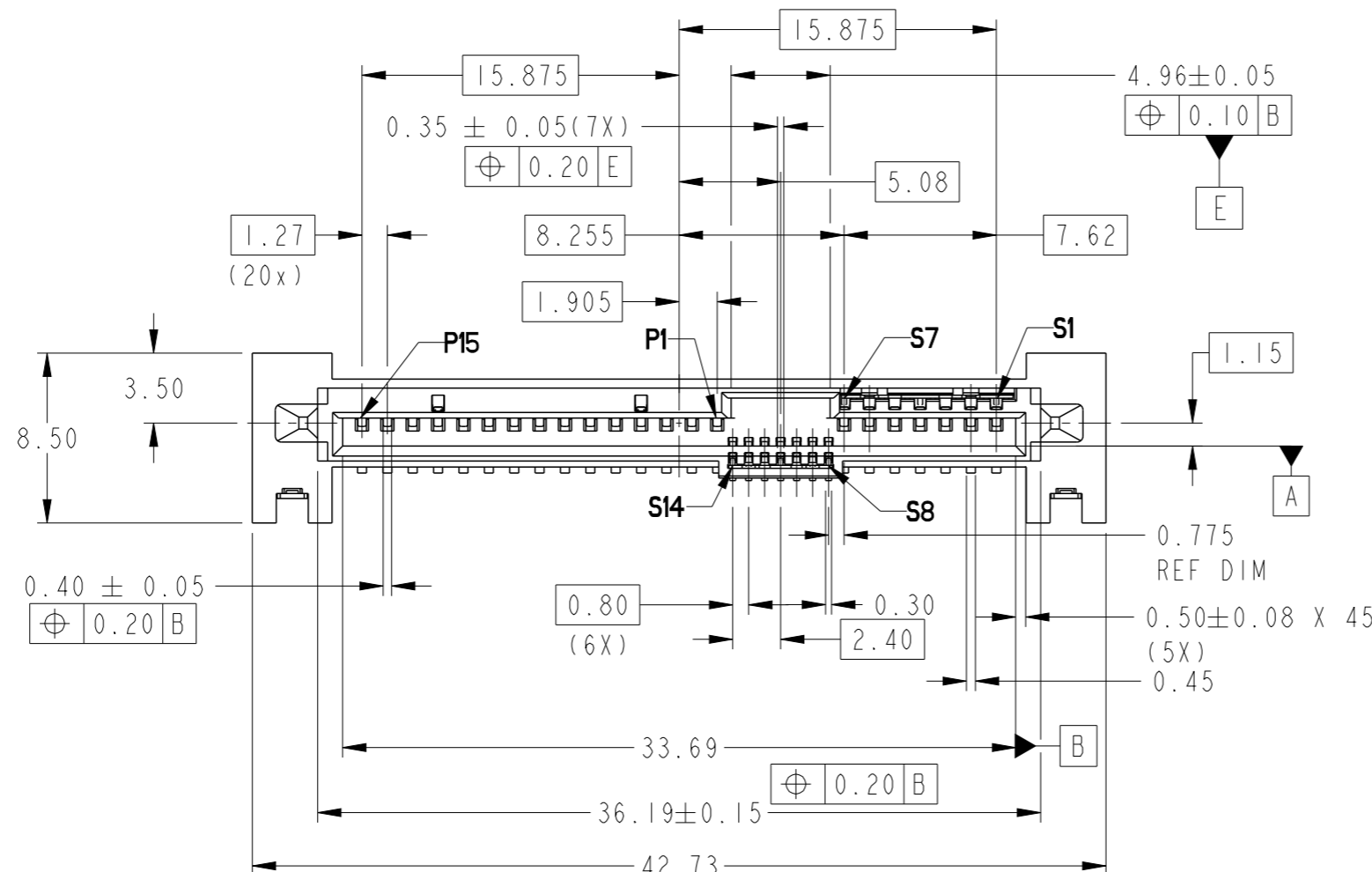


PRODUCT NUMBER
SEE TABLE



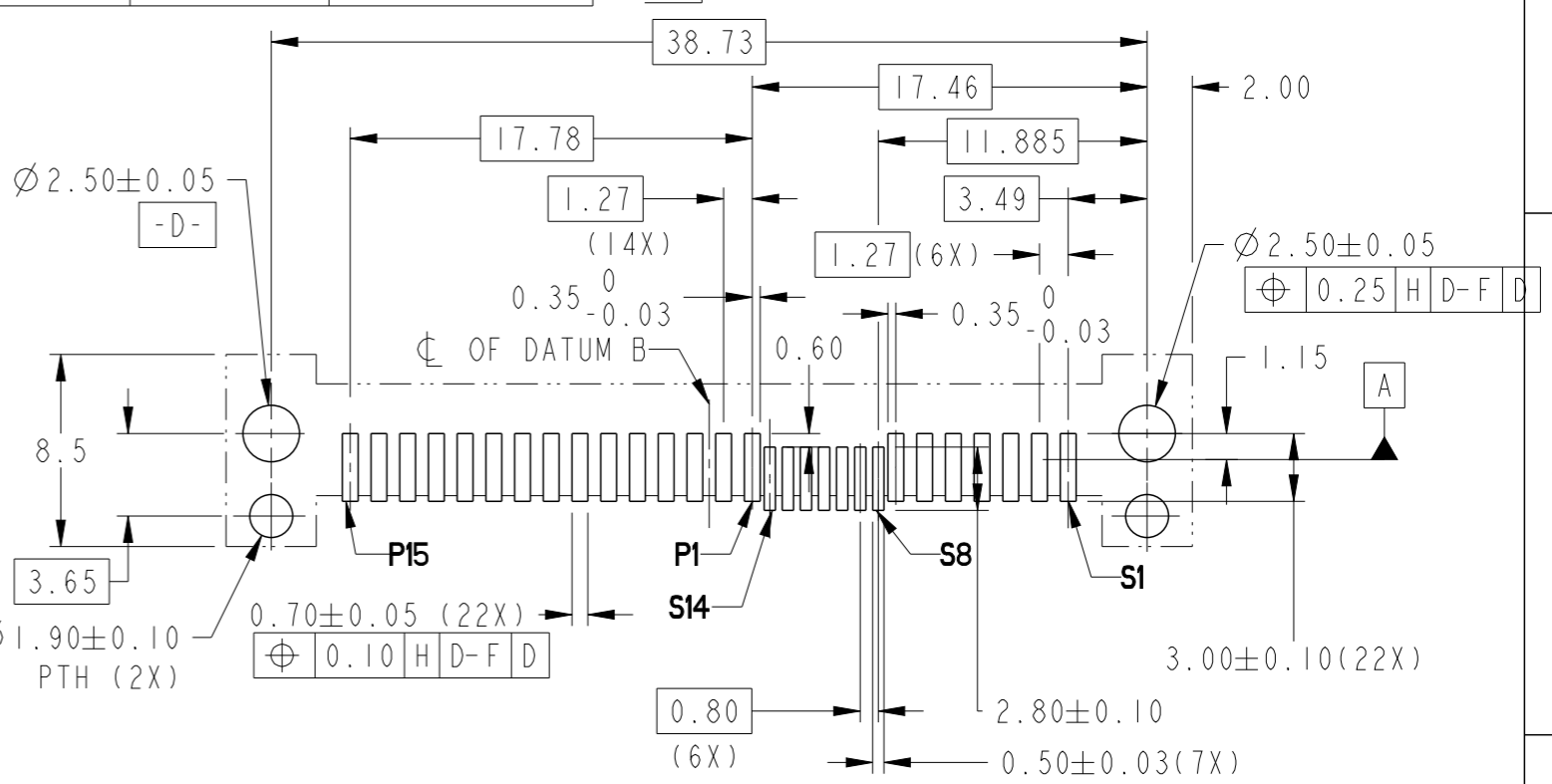
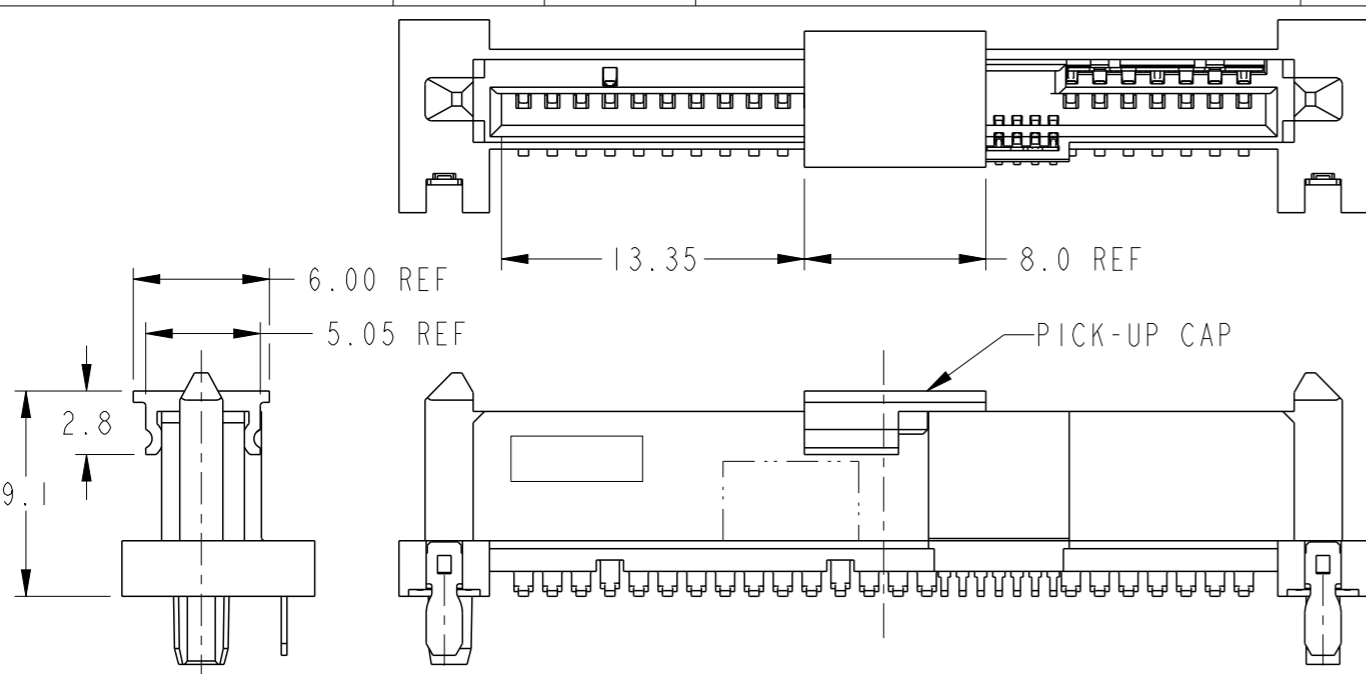
Amphenol FCI
© 2016 AFCI

spec ref	-	dr	Guat-Lian Loo	2013/07/04	projection	MM	size	A3	scale	3:1
tolerance std	ISO 406 ISO 1101	eng	Wai-Bin Cho	2020/09/14			ecn no	ELX-M-38340-1	rel level	Released
TOLERANCES UNLESS OTHERWISE SPECIFIED		chr	-	app						
surface	linear	0.X	± -		12G SAS RECEPTACLE		dwg no	10123000	rev	G
		0.XX	± .20		WIDE BASE SMT TYPE ASSY					
	angular	0°	± 2°		cat. no.	-				

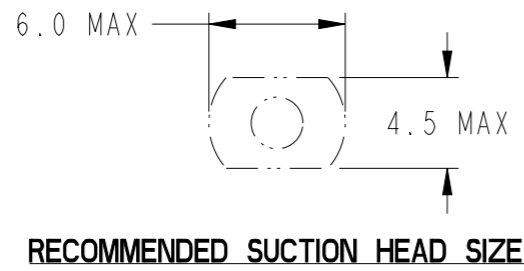
PRODUCT NO	DIM L	DIM H	RECOMMENDED P.C. BOARD THICKNESS	PICK-UP CAP	PACKAGING	REMARK
10123000-001LF	3.7	2.6	4.57mm (0.180")	NO	TRAY	--
10123000-001CLF				YES		
10123000-001C-TRLF				YES	TAPE & REEL	
10123000-002LF	2.0	2.6	2.54mm (0.100")	NO	TRAY	--
10123000-002CLF				YES		
10123000-002C-TRLF				YES	TAPE & REEL	
10123000-003LF	3.7	1.7	2.00mm (0.079")	NO	TRAY	--
10123000-003CLF				YES		
10123000-003C-TRLF				YES	TAPE & REEL	
10123000-004LF	3.7	3.2	4.57mm (0.180")	NO	TRAY	--
10123000-004CLF				YES		
10123000-004C-TRLF				YES	TAPE & REEL	

Amphenol FCI

© 2016 AFCI



FRONT VIEW
RECOMMENDED PCB LAYOUT
SCALE 3:1



spec ref	-	dr	Guat-Lian Loo	2013/07/04	projection	MM	size	A3	scale	3:1	
tolerance std	ISO 406 ISO 1101	eng	Wai-Bin Cho	2020/09/14	product family	SAS	ecn no	ELX-M-38340-1			
TOLERANCES UNLESS OTHERWISE SPECIFIED		chr	-	-			rel level	Released			
surface	linear	appr	Koon-Poh Tay	2020/10/29	12G SAS RECEPTACLE		dwg no	10123000		rev	G
	angular				WIDE BASE SMT TYPE ASSY		Product - Customer Drw		sheet 2 of 3		

linear	0.X	±-
	0.XX	±.20
	0.XXX	±-
angular	0°	±2°

PRODUCT NUMBER

SEE TABLE


NOTES:

1. MATERIAL:

- 1) HOUSING: HIGH TEMP TERMOPLASTIC, UL 94V-0
COLOR : BLACK
- 2) TERMINAL: COPPER ALLOY
- 3) HOLD DOWN: COPPER ALLOY

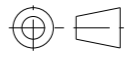
2. FINISH:

- 1) TERMINAL: 30μ" Au PLATING (CONTACT POINT)
OVER 50μ" NICKEL
- 2) SOLDER TAIL: 50μ" MIN Sn OVER 50μ" MIN NICKEL
- 3) HOLD DOWN: 50μ" MIN Sn OVER 50μ" MIN NICKEL

- ③ THE DIM. IS MEASURED AT P.C. BOARD SITTING PLANE
- ④ PER SEF REV 2.3 EXCEPT 0.8mm PITCH BUMP AREA
- 5. PART WITH PICK-UP CAP, P/N XXXXXXXX-XXXCLF
- 6. THE STD PACKAGING IS IN TRAY
- 7. THE TAPE & REEL PACKAGING, SUFFIX "-TR" ADDED AFTER
PRODUCT NUMBER (E.G. XXXXXXXX-XXXC-TRLF)
- 8. THE HOUSING WILL WITHSTAND EXPOSURE TO 260°C PEAK TEMPERATURE
FOR 10 SECONDS IN A CONVECTION, INFRA-RED OR VAPOR PHASE REFLOW
OVEN.
- ⑨ THIS PRODUCT MEETS EUROPEAN UNION DIRECTIVES AND OTHER COUNTRY
REGULATIONS AS DESCRIBED IN GS-47-0004.
- ⑩ PART NUMBERS ENDING IN "LF" MEANS FOR NOTE 8 LEAD FREE IDENTIFICATION
- 11. A  SYMBOL WILL BE NEXT TO ANY DIMENSION, VIEW, OR NOTE WHICH HAS
BEEN MODIFIED WITH THE CURRENT DRAWING REVISION.
- ⑫ DATE CODE LOCATION. DATE CODE NO.YYWW (E.G.14225).
- 13. CORING AT NON FUNCTIONAL AREAS ARE SUBJECT TO CHANGE WITHOUT NOTICES.

Amphenol
FCi

© 2016 AFCI

spec ref -		dr	Guat-Lian Loo	2013/07/04	projection	MM	size	A3	scale	3:1
tolerance std		eng	Wai-Bin Cho	2020/09/14		← →	ecn no		ELX-M-38340-1	
ISO 406 ISO 1101		chr	-	-			rel level		Released	
surface		appr	Koon-Poh Tay	2020/10/29	product family		SAS		rev	
ISO 1302	linear	0.X		± -	Amphenol FCi	12G SAS RECEPTACLE		dwg no		10123000
		0.XX		±.20		12G SAS RECEPTACLE		rev		G
	angular	0°		±2°		cat. no.		-		Product - Customer Drw
										sheet 3 of 3