

PRELIMINARY

spec ref	dr	N.Zuo	2013.3.12	projection	MM	size	A3	scale	7:5
tolerance std	eng					ecn no	rel level	In Work	
TOLERANCES UNLESS OTHERWISE SPECIFIED		chr						product family	-
surface	linear	0.X	±0.30		DDR4 288Pin DIMM CONNECTOR		dwg no 10124632	rev	
		0.XX	±0.20		PTH TERMINATION				12
ISO 1302	angular	0°	±2°		www.fci.com	cat. no.	-	Product - Customer Drw	sheet 1 of 5

Copyright FCI.

DDR4 MODULE
MORE INFORMATION REFER TO JEDEX MO-309

A

B

C

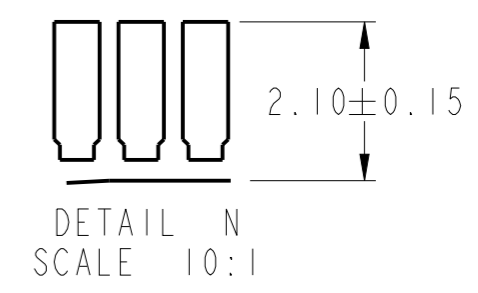
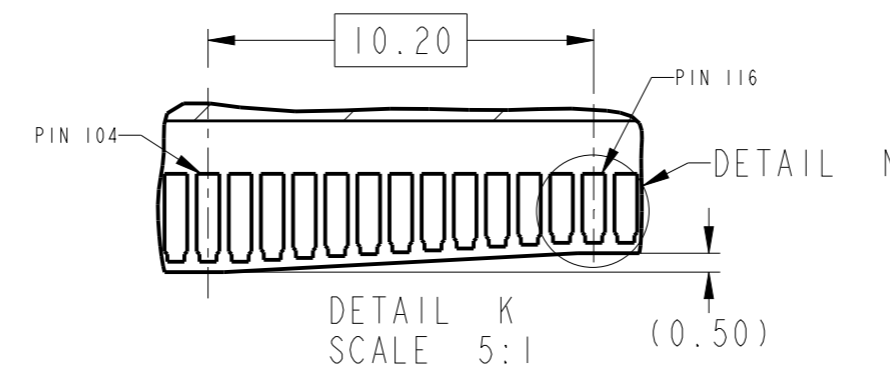
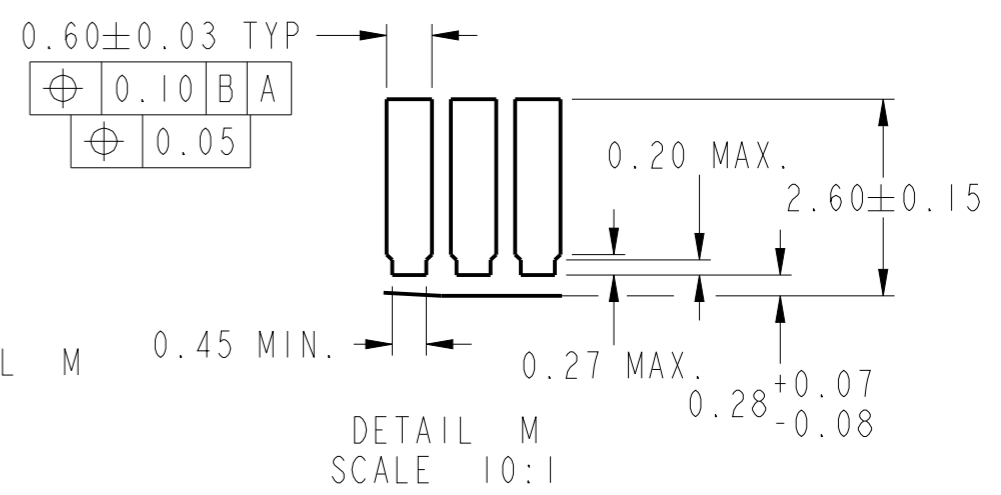
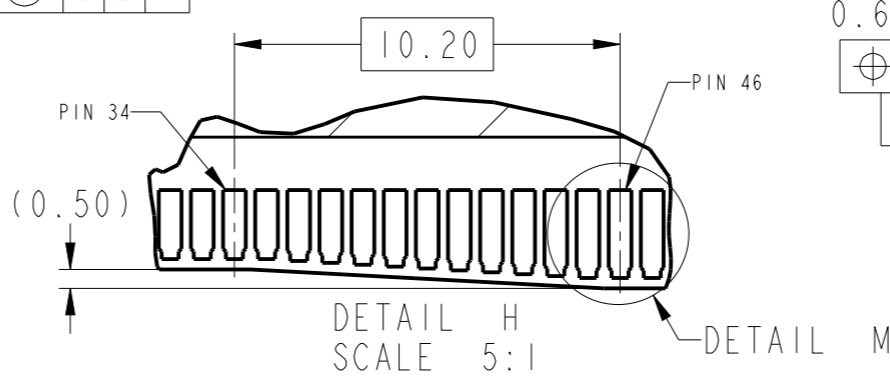
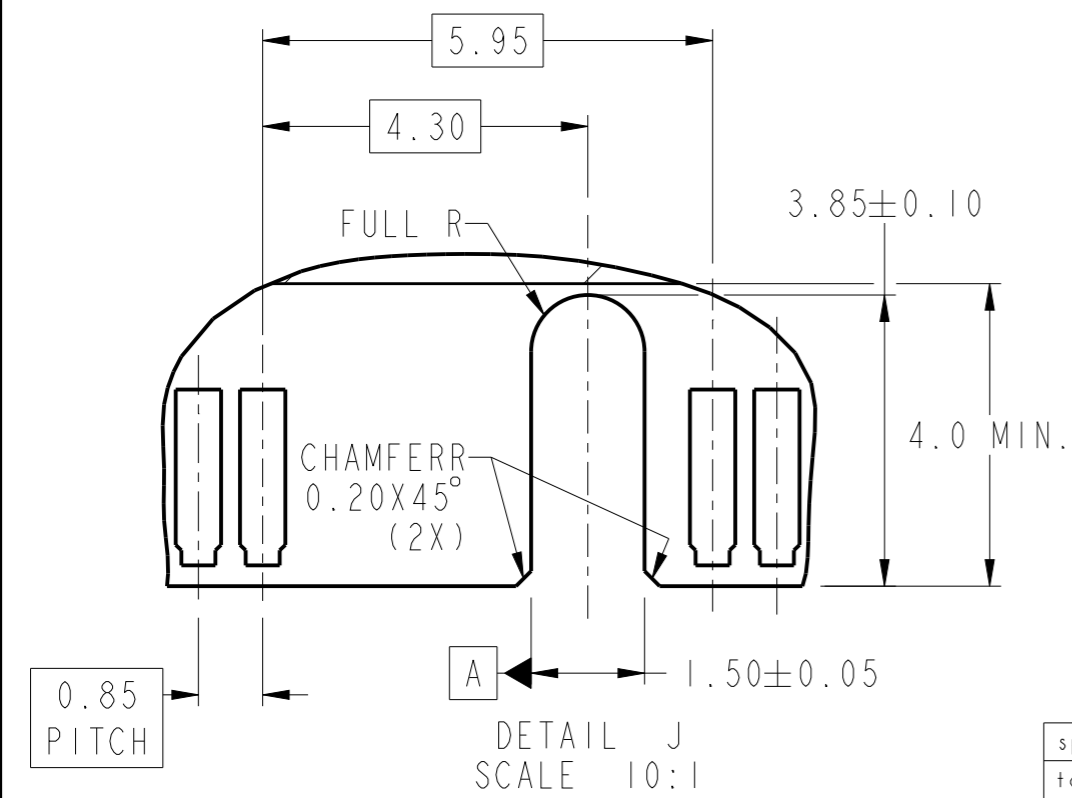
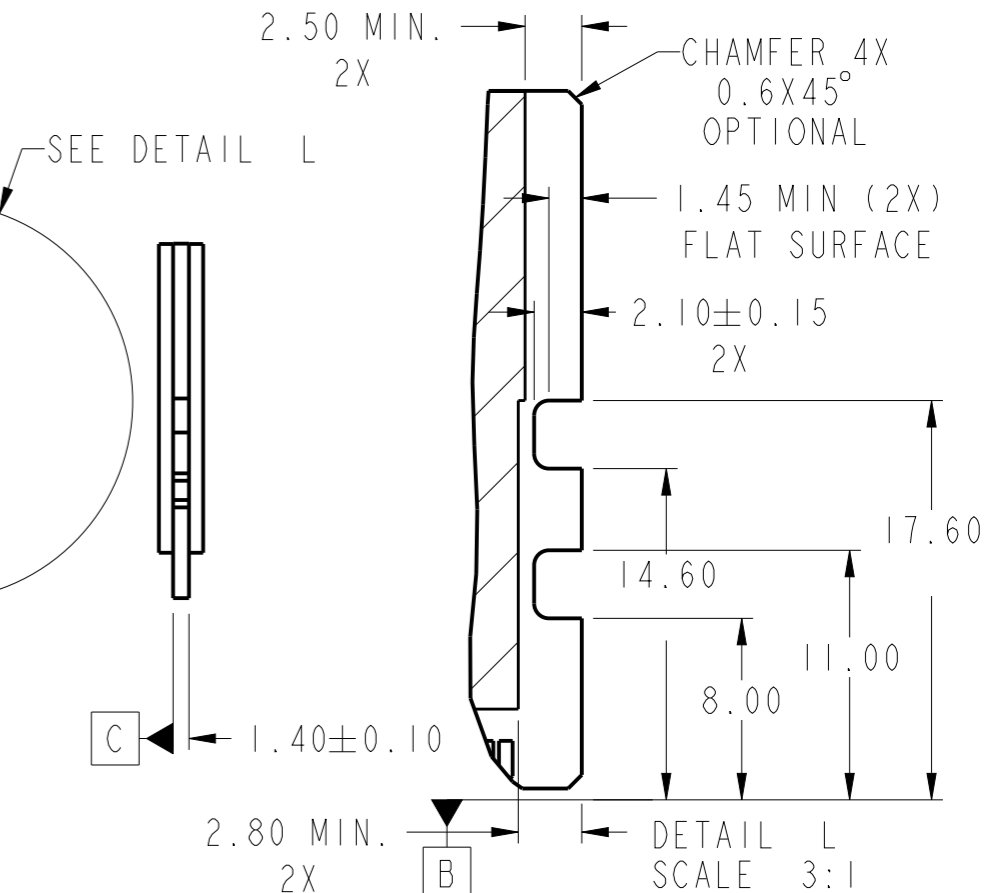
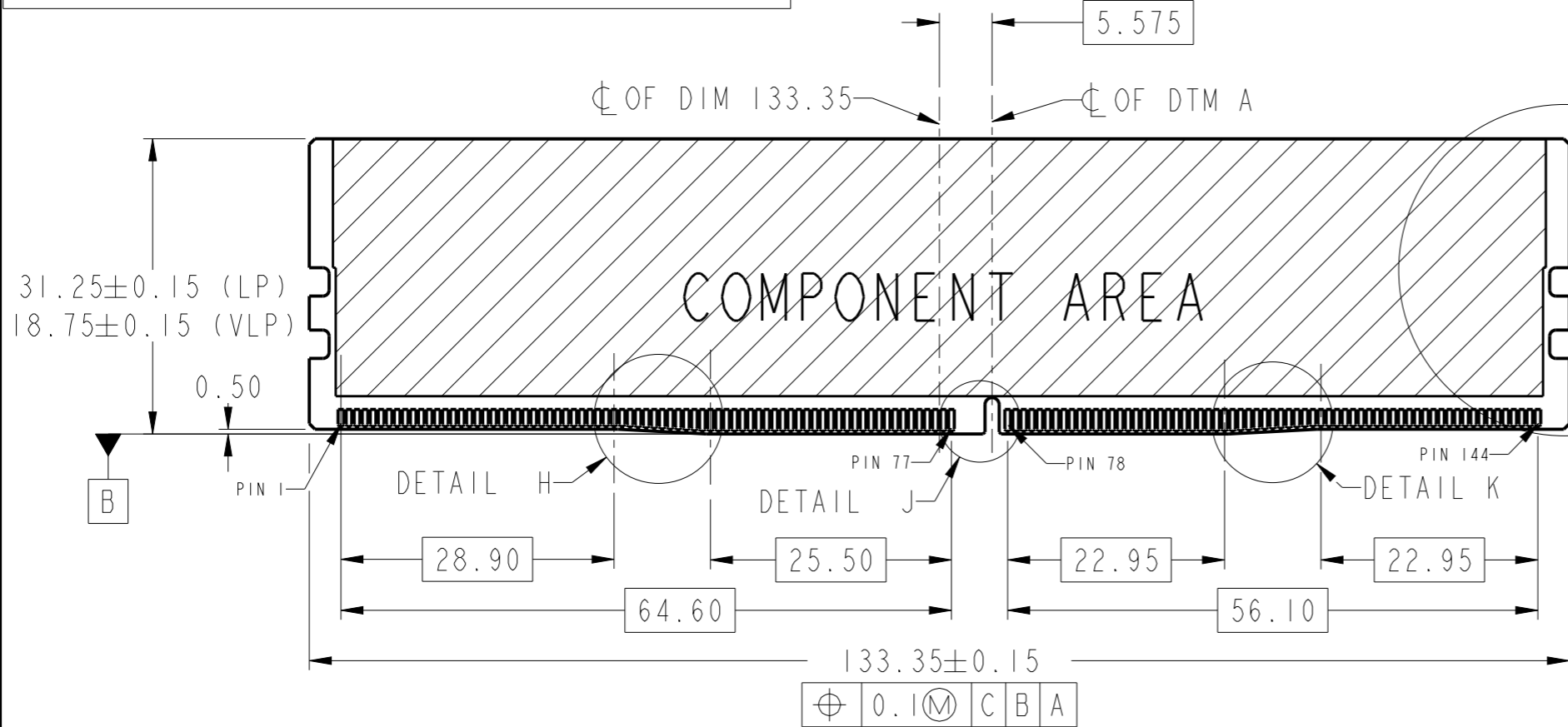
D

A

B

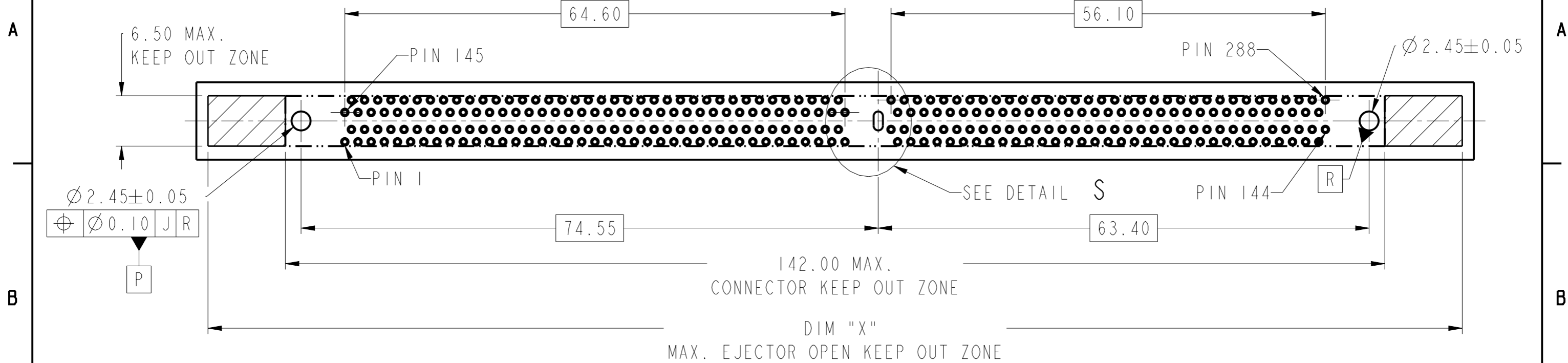
C

D

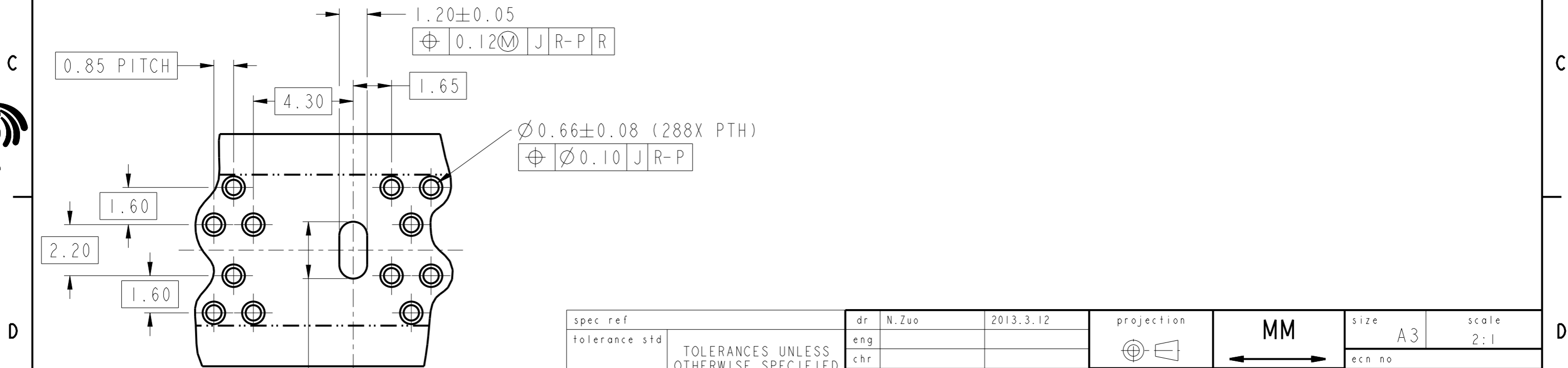


spec ref	dr N.Zuo		2013.3.12	projection	MM	size A3	scale 1:1
tolerance std	TOLERANCES UNLESS OTHERWISE SPECIFIED			⊕	↔	ecn no	
surface ✓	linear	0.X ±0.30		product family		rel level	In Work
		0.XX ±0.20					
		0.XXX ±0.10					
ISO 1302	angular	0° ±2°					
		www.fci.com		DDR4 288Pin DIMM CONNECTOR		10124632	
				PTH TERMINATION		rev 12	
		cat. no.		Product - Customer Drw		sheet 2 of 5	

RECOMMENDED PCB LAYOUT OPTION I



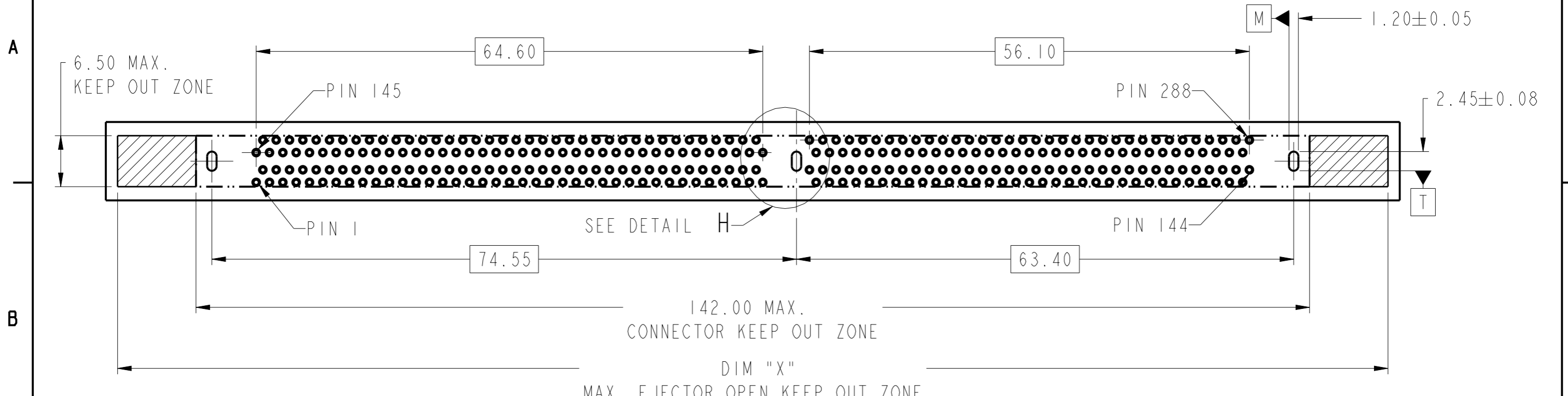
PCB THICKNESS
SEE PART NUMBER



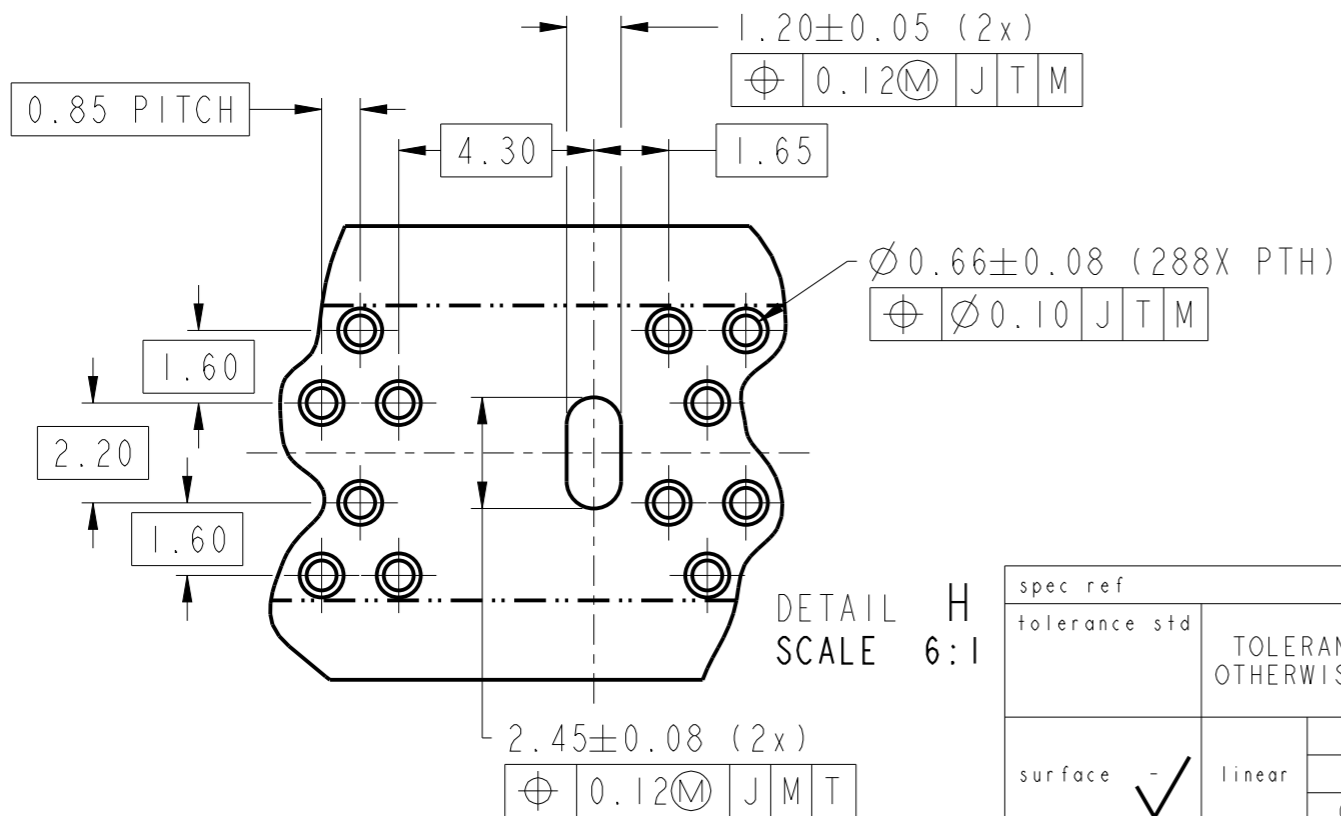
DETAIL S
SCALE 6:1

spec ref	dr	N.Zuo	2013.3.12	projection	MM	size	A3	scale	2:1
tolerance std	eng					ecn no		rel level	
TOLERANCES UNLESS OTHERWISE SPECIFIED	chr					-		In Work	
surface	appr			product family		cat. no.	-	Product - Customer Drw	sheet 3 of 5
ISO 1302	linear	0.X	±0.30		DDR4 288Pin DIMM CONNECTOR PTH TERMINATION	www.fci.com	dwg no 10124632	rev 12	
		0.XX	±0.20						
	angular	0°	±2°						

RECOMMENDED PCB LAYOUT OPTION2



PCB THICKNESS
SEE PART NUMBER



spec ref	dr	N.Zuo	2013.3.12	projection	MM	size	A3	scale	1:1		
tolerance std	eng					ecn no		rel level			
TOLERANCES UNLESS OTHERWISE SPECIFIED	chr					-		In Work			
surface	appr			product family		-		-			
ISO 1302	linear	0.X	±0.30		DDR4 288Pin DIMM CONNECTOR PTH TERMINATION	dwg no 10124632	rev 12	-			
	linear	0.XX	±0.20					-		-	
	linear	0.XXX	±0.10					-		-	
	angular	0°	±2°	www.fci.com	cat. no.	-		Product - Customer Drw			
						sheet 4 of 5					

PRODUCT PART NUMBER

10124632-□□□□□□□□

ADDITIONAL REQUIREMENTS

0: RoHS COMPLIANT
 1: HALOGEN FREE COMPLIANT(NATURAL/BLACK COLOR ONLY)

HOLD DOWNS CONFIGURATIONS

0: 3 FORKLOCKS, DIM "Y"=4.00±0.25
 1: 3 FORKLOCKS, DIM "Y"=2.50±0.25
 2: 3 FORKLOCKS, DIM "Y"=3.78±0.25

DIM "L", TAIL LENGTH

0: 2.60±0.25
 1: 3.20±0.25
 3: 2.40±0.25
 4: 2.10+0.25/-0.15

HOUSING COLOR

0: NATURAL
 1: BLACK
 2: BLUE
 3: YELLOW

EJECTOR TYPE

TAIL PLATING

LF: 100u" MIN. MATE TIN
 TL: 100u" MIN. TIN LEAD

CONTACT AREA PLATING

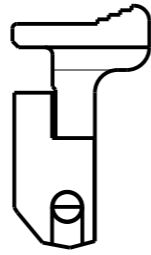

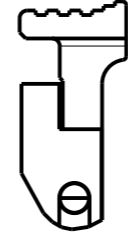
CODE	CONTACT AREA	UNDERPLATING
1	15u" MIN.GOLD	50u" MIN.NICKEL
3	30u" MIN.GOLD	
4	30u" MIN.GXT	
5	15u" MIN.GXT	90u" MIN.NICKEL
6	30u" MIN.GOLD	
7	15u" MIN.GOLD	

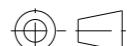

CONTACTS LUBRICATION

0: WITHOUT
 1: WITH

NOTES:

- MATERIALS:
 HOUSING: HIGH PERFORMANCE RESINS, GLASS FIBER FILLED, UL94 V-0 RATED.
 EJECTOR: HIGH PERFORMANCE RESINS, GLASS FIBER FILLED, UL94 V-0 RATED.
 TERMINAL: COPPER ALLOY
 FORKLOCK: COPPER ALLOY
- DATE CODE "MMDDYYL", MMDDYY IS ASSEMBLY DATE, L IS FCI PRODUCTION LINE.
- SPECIFICATION:
 PRODUCTION SPECIFICATION: FCI GS-12-1092.
 PACKAGE SPECIFICATION: FCI GS-14-2267.
 APPLICATION SPECIFICATION: FCI GS-20-0353.
- LEAD FREE PRODUCT MEETS EUROPEAN UNION DIRECTIVES AND OTHER COUNTRY REGULATIONS AS DESCRIBED IN FCI GS-22-008.
- THIS PRODUCT WILL WITHSTAND EXPOSURE TO 260°C PEAK TEMPERATURE FOR 10 SECONDS IN WAVE SOLDERING APPLICATION.

CODE	COLOR	DIM"X1" MAX.EJECTORS OPEN DISTANCE	DIM"X2" MAX.EJECTORS CLOSE DISTANCE	DIM"W" EJECTOR WIDTH	EJECTOR FIGURE
0	NATURAL	162.00	149.00	(6.42)	
1	BLACK				
2	BLUE				
A	GREEN(375C)				
3	NATURAL	152.00	142.00	(6.42)	
4	BLACK				
5	BLUE				
9	GREEN(375C)				
6	NATURAL	157.00	145.00	(4.00)	
7	BLACK				
8	BLUE				

dr	N.Zuo	2013.3.12	projection	MM	size	A3	scale	1:1
eng				←→	ecn no			
chr			product family		rel level		In Work	
appr								
		DDR4 288Pin DIMM CONNECTOR			dwg no	10124632		rev
www.fci.com		cat. no.	-		Product - Customer Drw		sheet 5 of 5	12