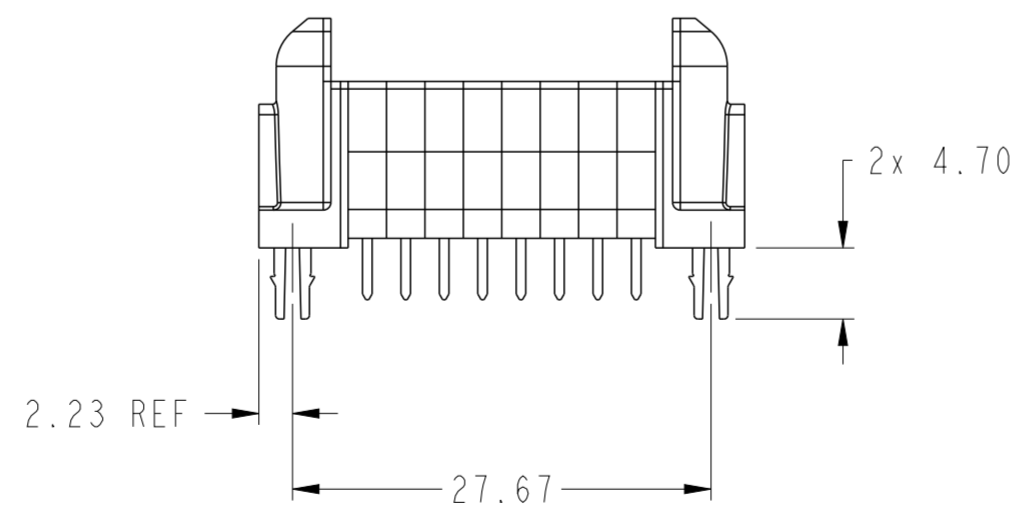
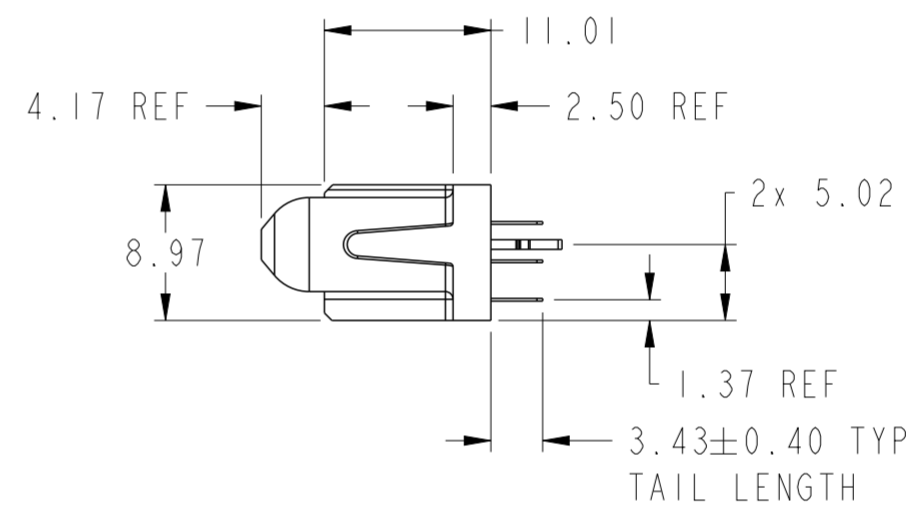
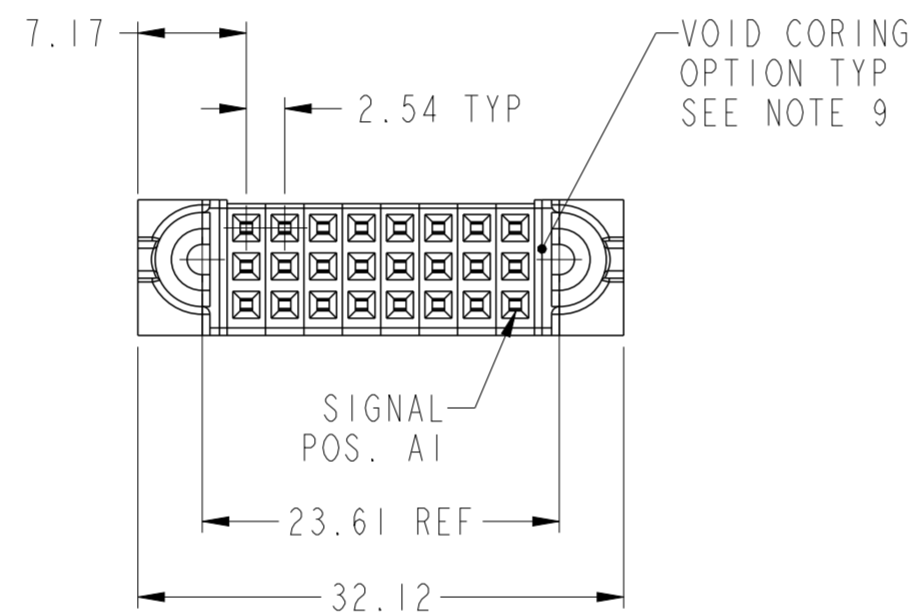
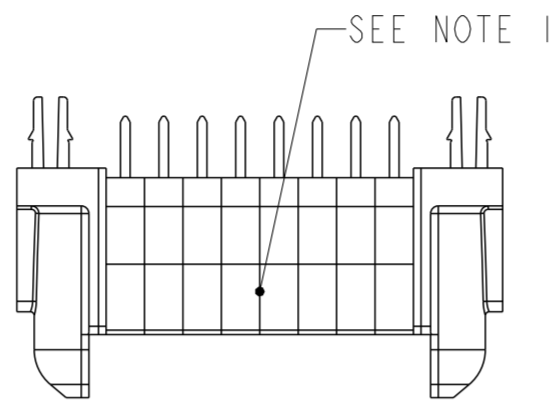


PRODUCT NUMBER  
10127403-01H4000LF



spec ref	-	dr	Jason Chen	2020/02/20	projection	mm	size	A2	scale	2:1			
tolerance std	ISO 406 ISO 1101	eng	Walker Wei	2020/07/23		mm	ecn no	-	rel level	Released			
TOLERANCES UNLESS OTHERWISE SPECIFIED		chr	-	appr							Zheng, Pei-Min	2020/07/23	product family
surface	ISO 1302	linear	0.X	±0.5			title	24S, SOLDER		div no	10127403-01H4000	rev	A
		angular	0°	±2°			VERT RECEPTACLE, PwrBlade ULTRA	cat. no.	-	Product - Customer Drw	sheet 1 of 3		

PDS: Rev :A

STATUS:Released

Printed: Jul 23, 2020

Amphenol  
FCI

© 2016 APCI

PRODUCT NO.

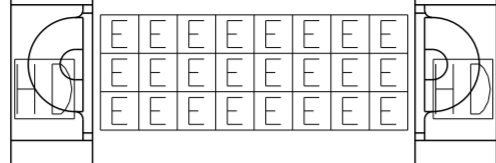
ROWS

S

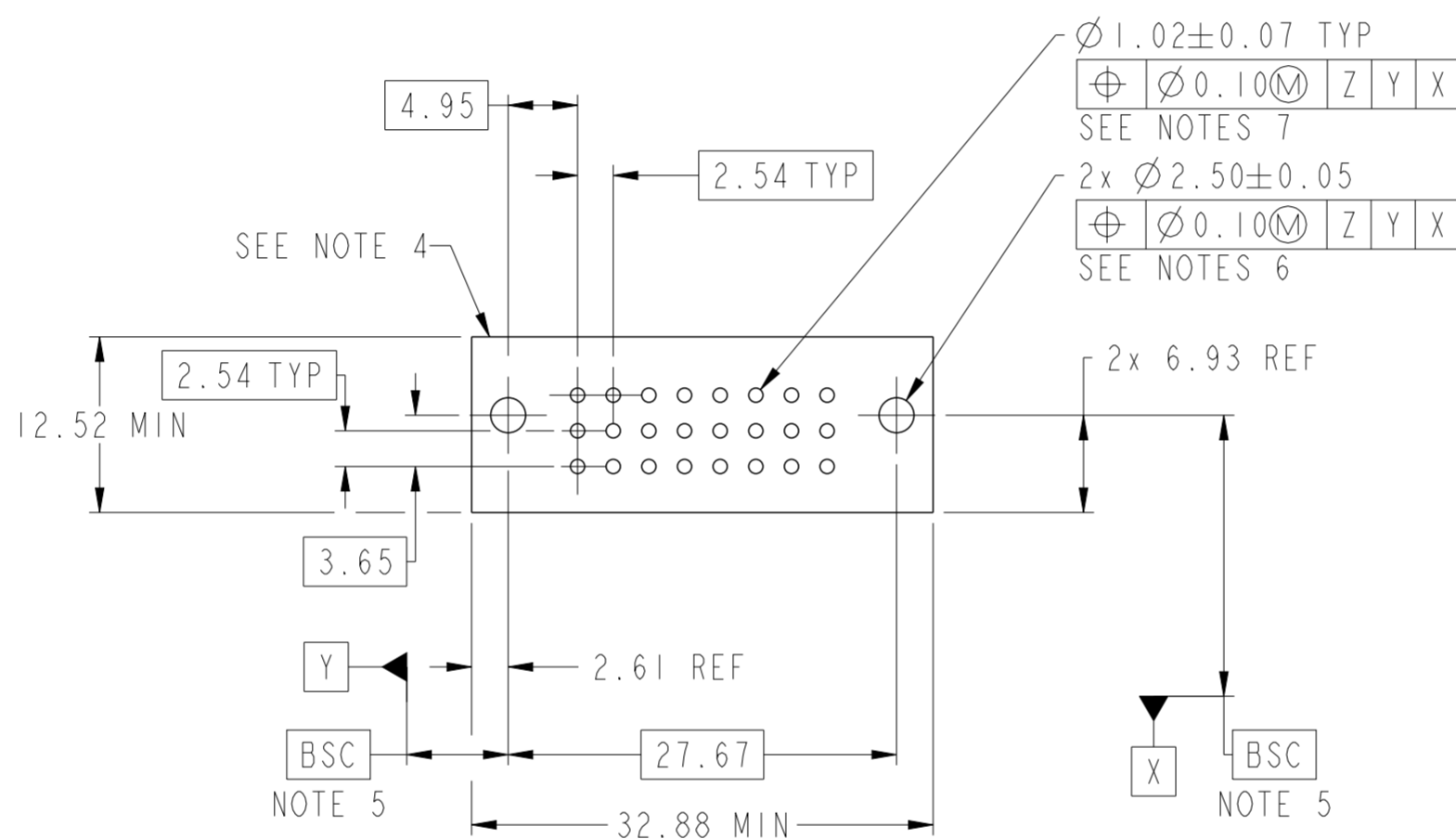
E2 8 7 6 5 4 3 2 1 E1

10127403-01H4000LF

C  
B  
A



CODE	DESCRIPTION
E	SIGNAL CONTACT
HD	HOLD DOWN



Amphenol  
FCi

© 2016 AFci

spec ref	-	dr	Jason Chen	2020/02/20	projection	mm	size	A2	scale	2:1			
tolerance std	ISO 406 ISO 1101	eng	Walker Wei	2020/07/23		mm	ecn no	-	rel level	Released			
TOLERANCES UNLESS OTHERWISE SPECIFIED		chr	-	appr							Zheng, Pei-Min	2020/07/23	product family
surface	ISO 1302	linear	0.X	±0.5	Amphenol FCi		title	24S, SOLDER		div no	10127403-01H4000	rev	A
		angular	0°	±2°	VERT RECEPTACLE, PwrBlade ULTRA		cat. no.	-	Product - Customer Drw	sheet 2 of 3			

PDS: Rev :A

STATUS:Released

Printed: Jul 23, 2020

PRODUCT NUMBER

10127403-01H4000LF

NOTES:

- ①. PRODUCT MARK:  
PART NUMBER AND DATE CODE TO BE MARKED ON THIS SURFACE.  
THE MARK CAN BE OMITTED IF THERE IS NOT ENOUGH SPACE ON THIS SURFACE.
- 2. MATERIALS:  
HOUSING: HIGH TEMP THERMOPLASTIC WITH GLASS FIBER, UL94V-0, BLACK.  
POWER CONTACTS: HIGH CONDUCTIVITY COPPER ALLOY.  
SIGNAL CONTACTS: COPPER ALLOY.  
HOLD DOWN: COPPER ALLOY.
- 3. PLATING SPECIFICATION: 10135186.
- ④. DENOTES CONNECTOR KEEP OUT ZONE.
- ⑤. DATUM AND BASIC DIMENSION ARE ESTABLISHED BY CUSTOMER.
- ⑥. THESE TWO PCB HOLES ARE UNPLATED HOLES.
- ⑦. 1.150±0.025mm DRILLED HOLE PLATED WITH 7.62µm MIN Sn OVER  
25.4µm-76.2µm Cu PLATING TO ACHIEVE A 1.02±0.07mm FINISHED HOLE.
- 8. THE HOUSING WILL WITHSTAND EXPOSURE TO 260°C PEAK TEMPERATURE FOR 10 SECONDS  
IN A WAVE SOLDER APPLICATION.
- ⑨. THE VOID CORING BETWEEN POWER MODULES, SIGNAL MODULES AND END MODULES ARE  
OPTIONAL AND THE SHAPE MAY BE DIFFERENT TO OPTIMIZE THE MOLDING  
PROCESS. THE VOID CORING WILL NOT EFFECT THE PRODUCT FUNCTION.
- 10. THIS PRODUCT MEETS EUROPEAN UNION DIRECTIVES AND OTHER COUNTRY REGULATIONS  
AS DESCRIBED IN GS-47-0004.
- 11. PRODUCT SPECIFICATION: GS-12-1176.  
APPLICATION SPECIFICATION: GS-20-0389.  
PRODUCT PACKAGE SPECIFICATION: GS-14-2354.

Amphenol  
FCi

spec ref	-	dr	Jason Chen	2020/02/20	projection	mm	size	A2	scale	2:1	
tolerance std	ISO 406 ISO 1101	eng	Walker Wei	2020/07/23			ecn no	-	rel level		Released
TOLERANCES UNLESS OTHERWISE SPECIFIED		chr	-	product family			PwrBlade ULTRA				
surface	ISO 1302	appr	Zheng, Pei-Min	2020/07/23			rel level	Released			
		linear	0.X	±0.5			title	24S, SOLDER		rev	A
			0.XX	±0.25			VERT RECEPTACLE, PwrBlade ULTRA	cat. no.	-	Product - Customer Drw	sheet 3 of 3
		angular	0°	±2°			div no	10127403-01H4000			

PDS: Rev :A

STATUS:Released

Printed: Jul 23, 2020