

PRODUCT NUMBER
10127718-00XXLF

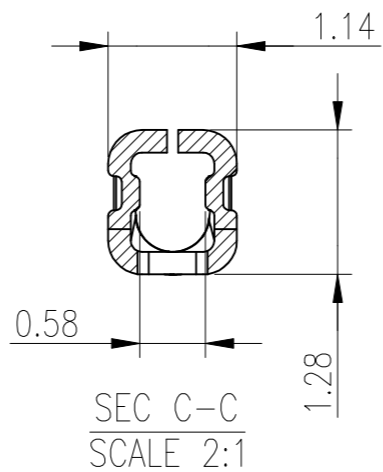
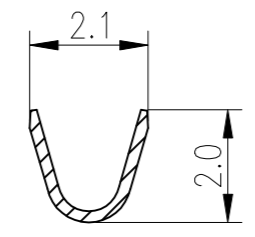
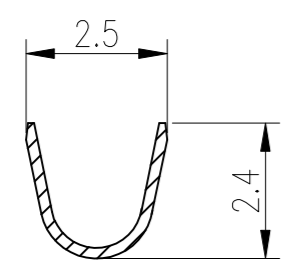
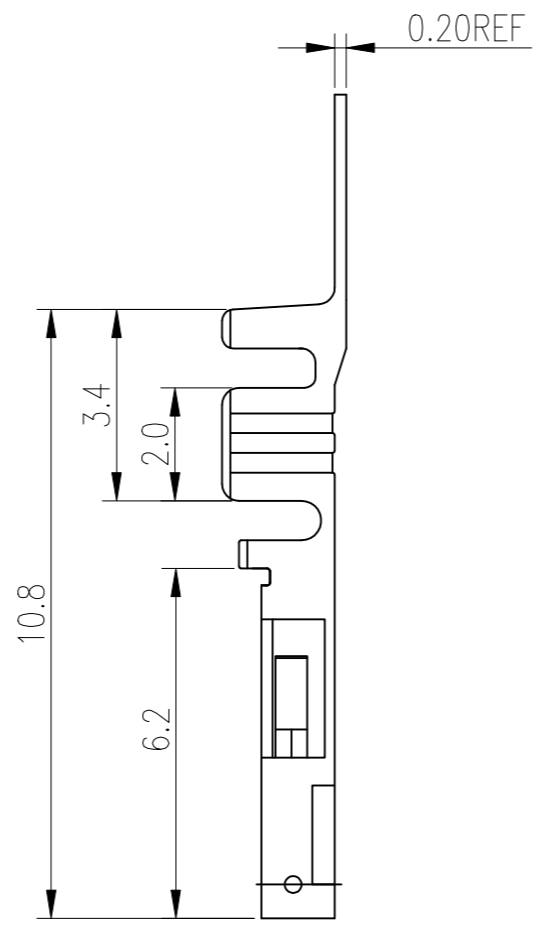
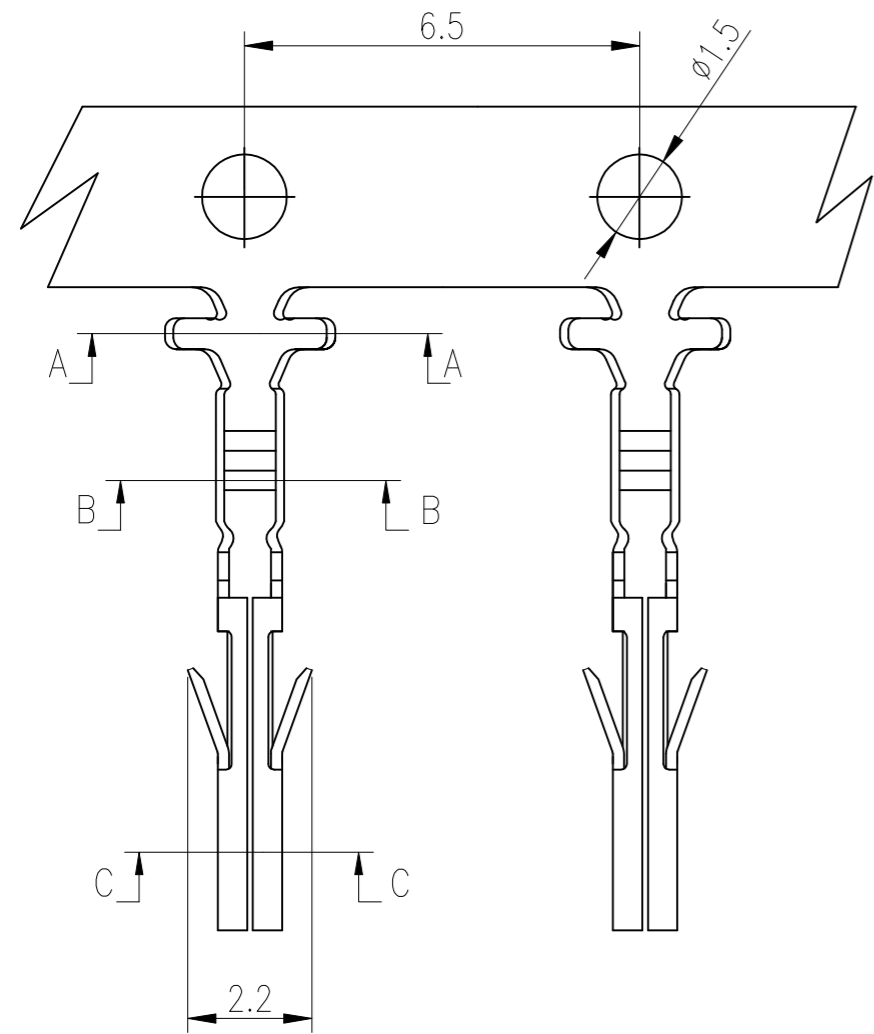
FOR 10127718-00XXLF (20-24AWG)

- NOTES:
- MATERIAL:
TERMINAL: PHOSPHORUS BRONZE
 - PLATING:
CONTACT AREA : OPTIONAL
REMAINING AREA : 80μ" MIN. BRIGHT TIN FOR POST-PLATED TERMINAL
: 30μ" MIN. NICKEL FOR PRE-PLATED TERMINALS
UNDER PLATING : MIN. 30u" NICKEL OVERALL
 - REFER GS-20-0399 APPLICATION SPECIFICATION FOR MATING CONNECTOR
 - PRODUCT SPECIFICATION: GS-12-1177.
 - REEL PACKING SPECIFICATION: GS-14-2359.
 - APPLICATION SPECIFICATION : GS-20-0399
 - LEAD FREE PRODUCTS MEET EUROPEAN UNION DIRECTIVES AND OTHER COUNTRY REGULATIONS AS DESCRIBED IN GS-47-0004
 - PRODUCT NUMBER SCHEME:
10127718-X 0 X X LF

APPLICABLE WIRE
0: 20-24 AWG
1: 26-30 AWG

PLATING TYPE
P: PRE-PLATED
BLANK: POST-PLATED

PLATING CODE
1: 80u" BRIGHT TIN OVERALL, CONTACT AREA COATED WITH LUBRICANT (POST-PLATED)
2: GOLD FLASH (PRE-PLATED).
3: 15u" Au (PRE-PLATED)
4: 30u" Au (PRE-PLATED)



FOR WIRE SIZE AWG#20~24

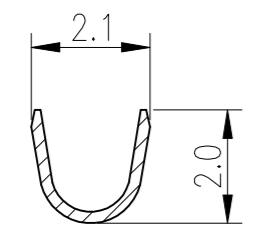
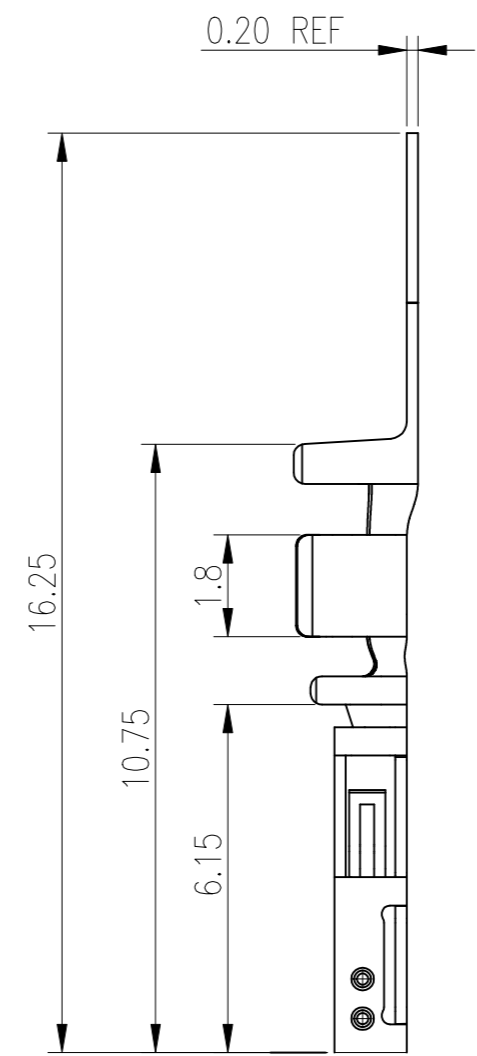
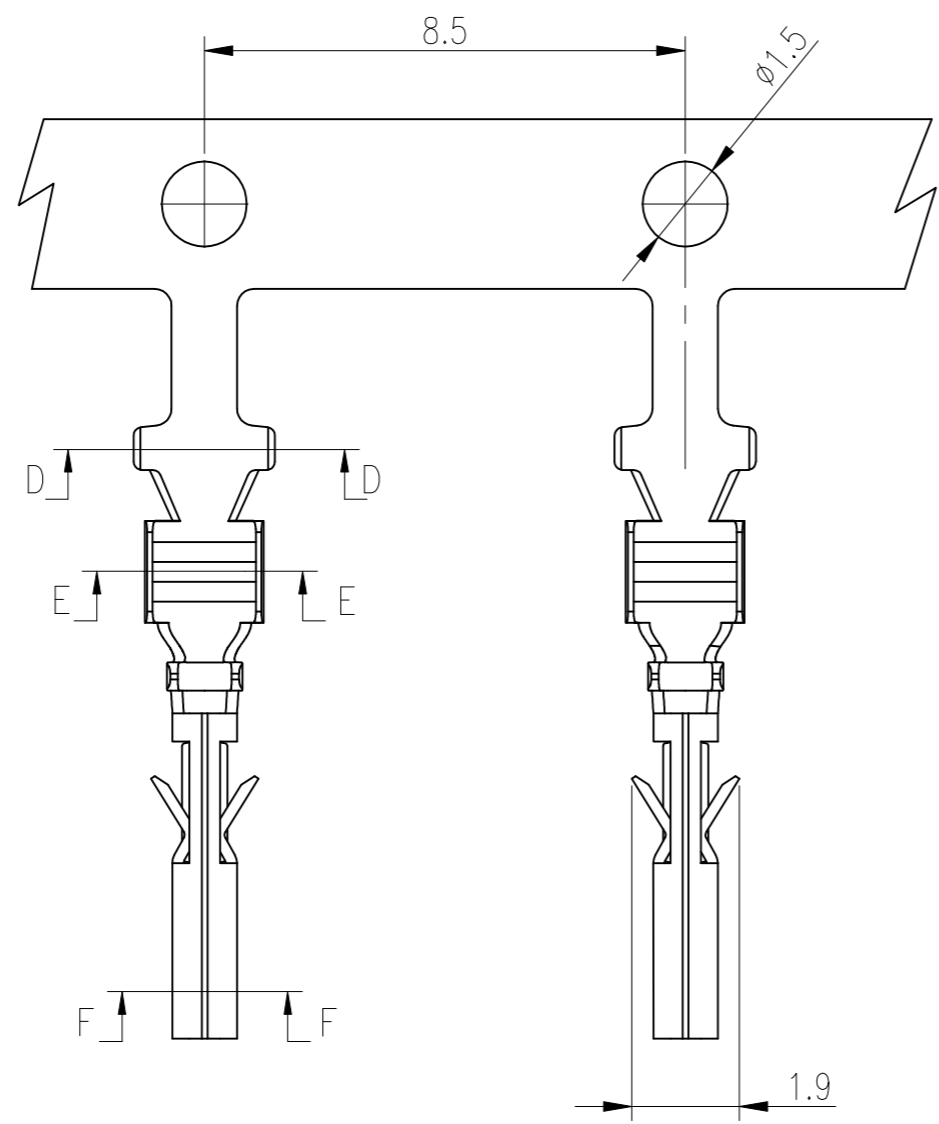
mat'l. code		surface		tolerance		projection		product family	
		ISO 1302 ✓		ISO 406 ISO 1101		mm		MINITEK PWR 3.0	
ltr	ecn no	dr	date	tolerances unless otherwise specified		mm		title	
A		TAI	2013-10-21	angles	.0±.40	mm		RECEPTACLE CRIMP TERMINAL FOR	
B	ELX-T-17032	TAI	2014-02-25	linear	.00±.30	mm		MINITEK PWR3.0 WIRE CONNECTOR	
C	ELX-T-18006	TAI	2014-06-19	0°±x'		scale		N.T.S	
D	ELX-T-21533	TAI	2017-07-15	dr	KENNY TAI	2013-10-21	Amphenol FCI		dwg no
E	ELX-T-23008	TAI	2016-01-12	engr	AKHIL RAJAN	2022-01-17	sheet 1 of 2		size
F	ELX-I-43461	AKHIL	2022-01-17	chr	MITHUN PAUL	2022-01-17	10127718		A3
				appd	SPK	2022-01-17	type		Product Customer Drawing
sheet index	revision sheet	F	F						
		1	2						

Amphenol FCI

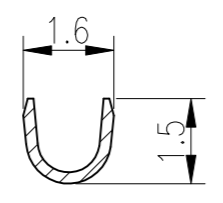
© 2016 AFCI

PRODUCT NUMBER
10127718-10XXLF

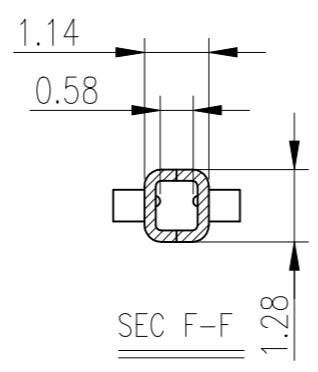
FOR 10127718-10XXLF (26-30AWG)



SEC D-D



SEC E-E



SEC F-F

FOR WIRE SIZE AWG#26~30

mat'l. code		surface		tolerance		projection		product family	
		ISO 1302 ✓		ISO 406 ISO 1101		mm		MINITEK PWR 3.0	
ltr		ecn no		dr		date		title	
								RECEPTACLE CRIMP TERMINAL FOR MINITEK PWR3.0 WIRE CONNECTOR	
				angles		linear		dwg no	
				0°±x'				sheet 2 of 2 size	
				dr		KENNY TAI 2013-10-21		10127718 A3	
				engr		AKHIL RAJAN 2022-01-17		type	
				chr		MITHUN PAUL 2022-01-17		Product Customer Drawing	
				appd		SPK 2022-01-17			
sheet index		revision sheet		F 1		F 2			

Amphenol FCI

© 2016 AFCI