

1

2

3

4

A

B

C

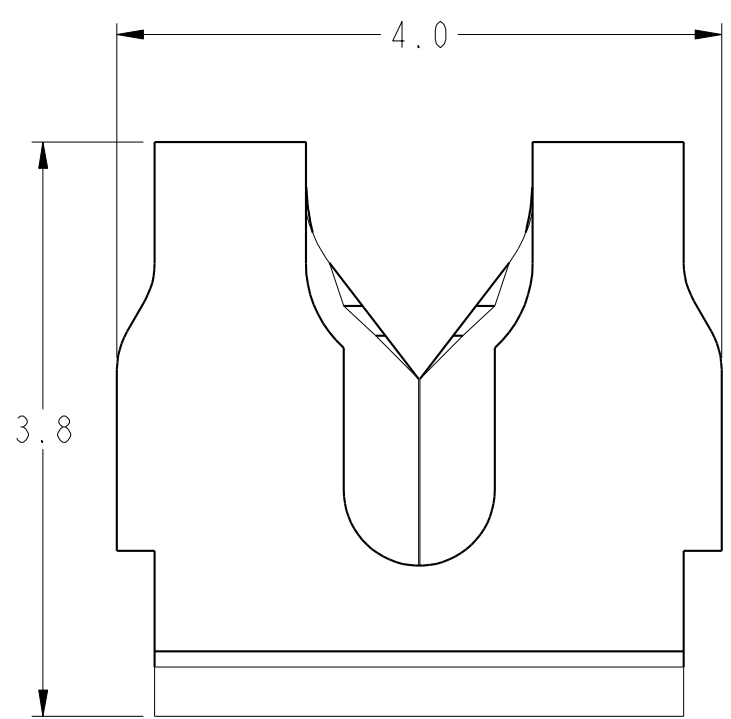
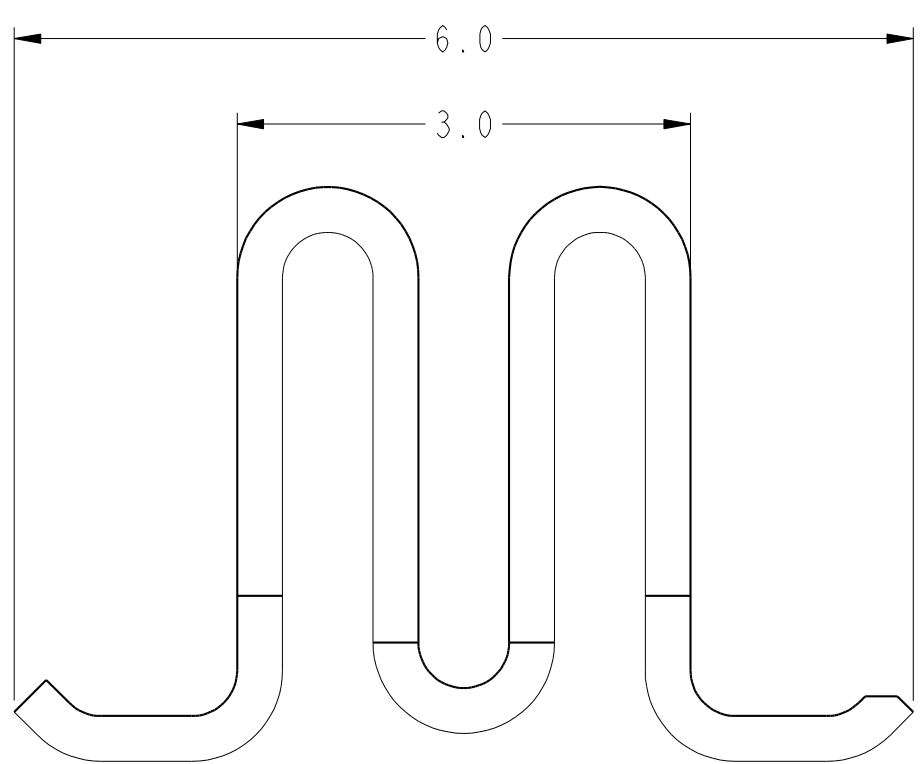
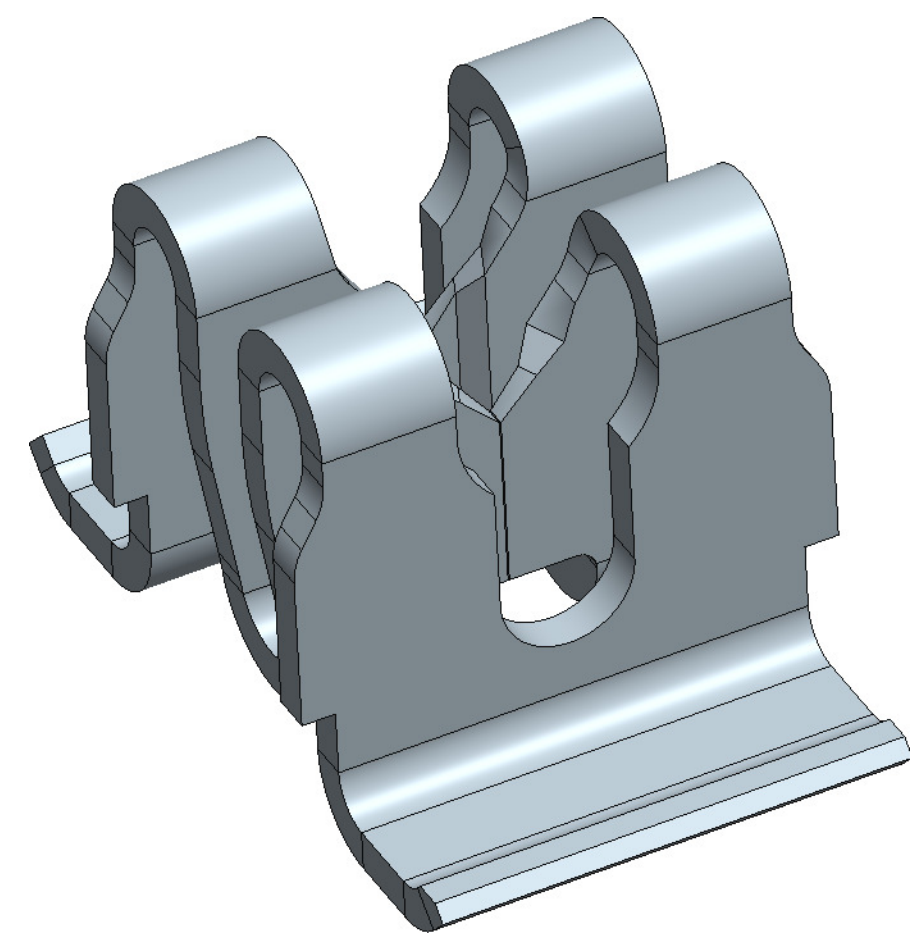
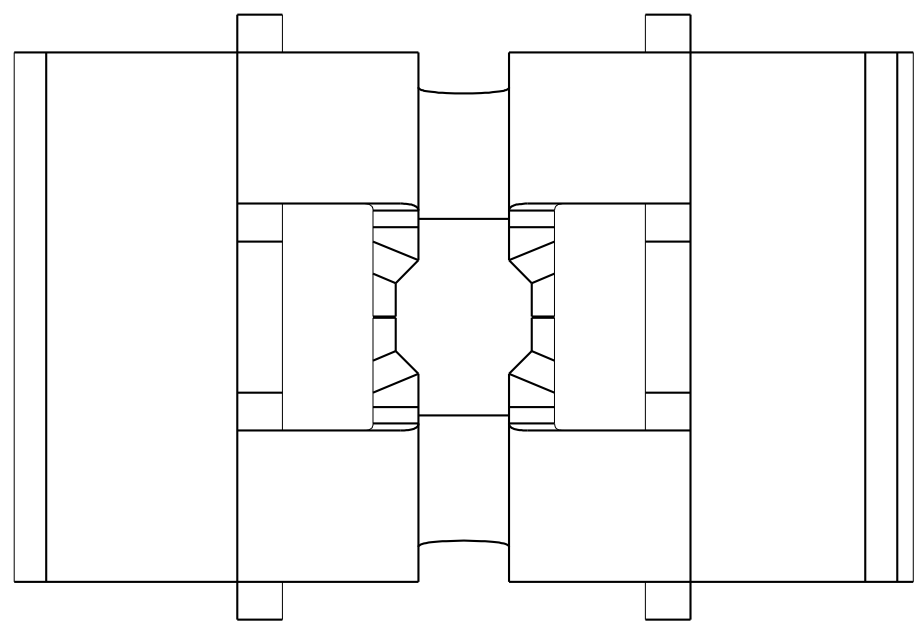
D

A

B

C

D

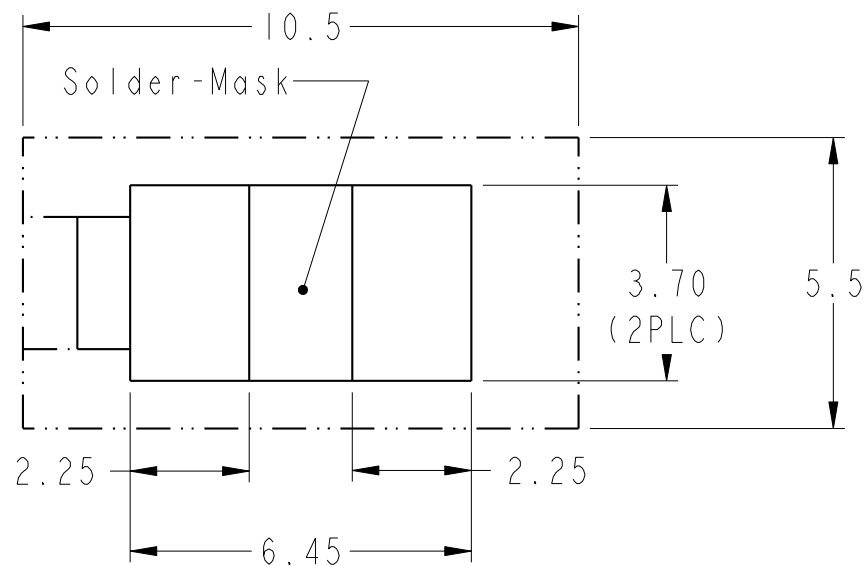


PART NUMBER	QUANTITY	DESCRIPTION	NOTES
-00ITRLF	1,150	WITHOUT PICK & PLACE CAP, IN TAPE & REEL	13
-10ITRLF	1,150	WITH PICK & PLACE CAP, IN TAPE & REEL	13
-10ILF	1	SINGULATED	10
-00ILF	7,500	ON REEL	9

spec ref	-	dr	James Sabo	2014/03/18	projection	mm	size	A3	scale	20:1	
tolerance std	ISO 406 ISO 1101	eng	Detouillon, Da	2022/02/03			ecn no	ELX-F-43742-1			
TOLERANCES UNLESS OTHERWISE SPECIFIED		chr	-	-			rel level	Released			
surface	ISO 1302	appr	Wollin, Severi	2022/02/03	product family	-	dwg no	10127850C		rev	D
	linear	0.X	±0.3		TERMINAL, GRIPLET,™ SMT						
		0.XX	±0.05		20-32AWG						
	angular	0°	±2°		cat. no.	-	Product - Customer Drw	sheet 1 of 3			

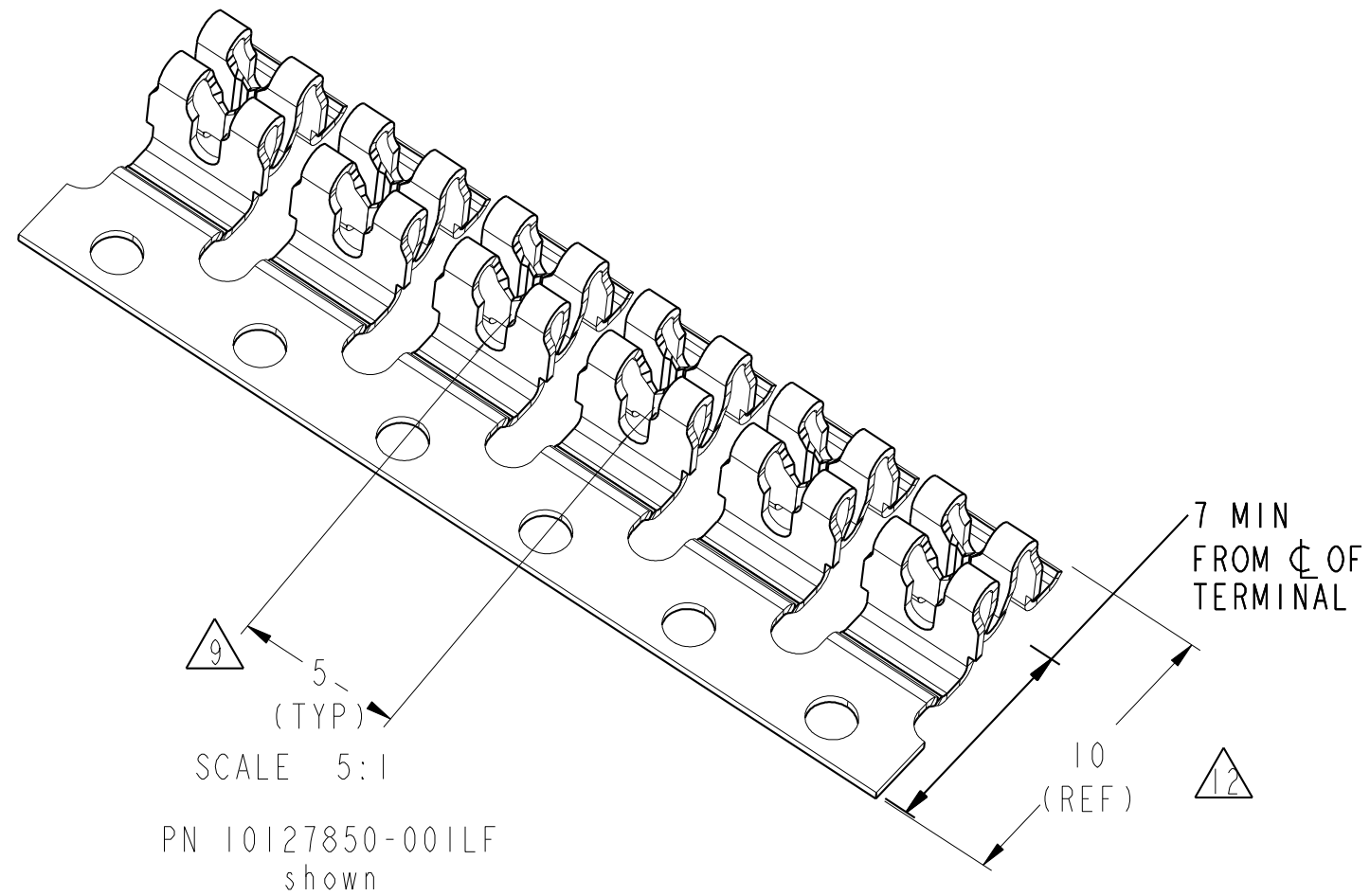
2

3



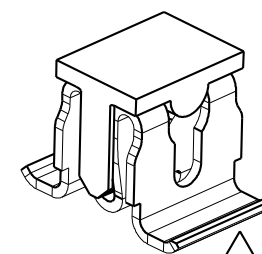
11 14 RECOMMENDED SOLDER-PAD FOOTPRINT AND KEEP-OUT ZONE FOR WIRE INSTALLATION TOOL.

1. CONNECTOR MATERIAL: COPPER ALLOY
2. PLATING: TIN OVER NICKEL.
3. PRODUCT SPECIFICATION: GS-12-1234.
4. PACKAGING MEETS GS-14-920 LEAD-FREE LABELING SPECIFICATION.
5. PRODUCT MARKING: N/A
6. MINIMUM CENTERLINE SPACING BETWEEN ADJACENT TERMINALS IS 5MM.
7. WIRE INSERTION TOOL REQUIRES KEEP-OUT ZONE AS SHOWN.
8. LEAD-FREE PRODUCT MEETS THE EUROPEAN UNION DIRECTIVES & OTHER COUNTRY REGULATIONS AS DESCRIBED IN GS-22-008.

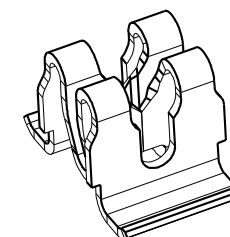


SCALE 5:1
PN 10127850-001LF shown

- 9 AVAILABLE ON 24 INCH REEL, QUANTITY 7500 PER REEL. REELING SPECIFICATION: GS-14-2273 AND FCI PACKAGING SPECIFICATION GS-14-2461.
- 10 AVAILABLE LOOSE-IN-BAG. PACKAGE QUANTITY 1000 PER BAG.
- 11 RECOMMENDED KEEP-OUT ZONE FOR WIRE-INSTALLATION TOOL.
- 12 DIMENSIONS FOR TERMINALS PRIOR TO BREAK-OFF FROM CARRIER.
- 13 AVAILABLE WITH AND WITHOUT PICK & PLACE CAPS ON 13 INCH DIAMETER REEL, SEE TABLE FOR QUANTITY PER REEL. TAPE & REEL SPECIFICATION: EIA-481B AND FCI PACKAGING SPECIFICATION GS-14-2461.



SCALE 5:1
PN 10127850-10ITRLF shown

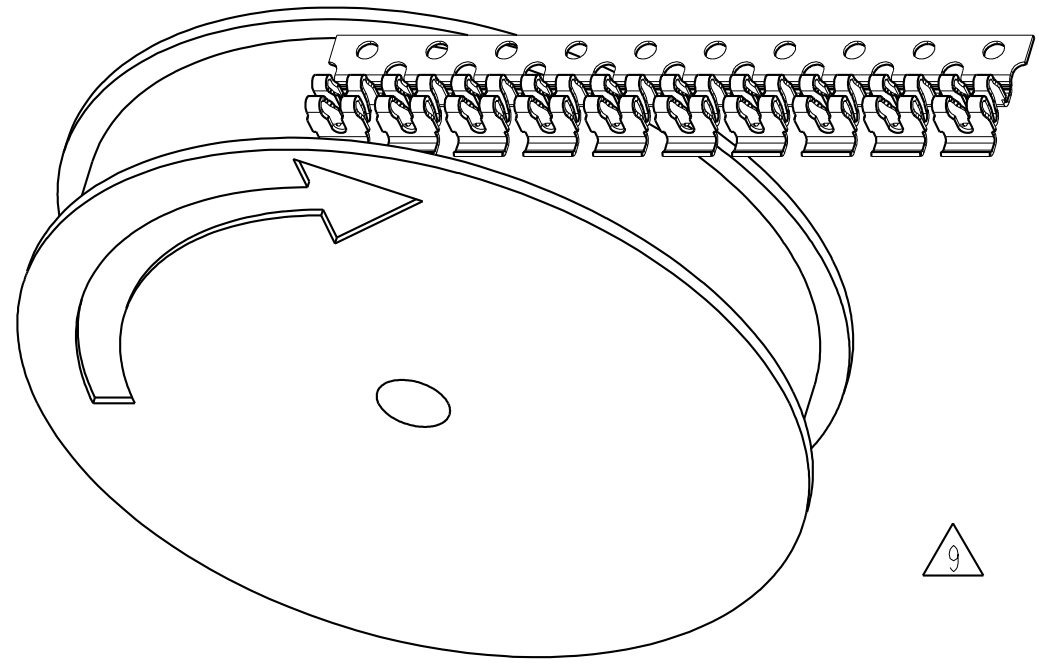
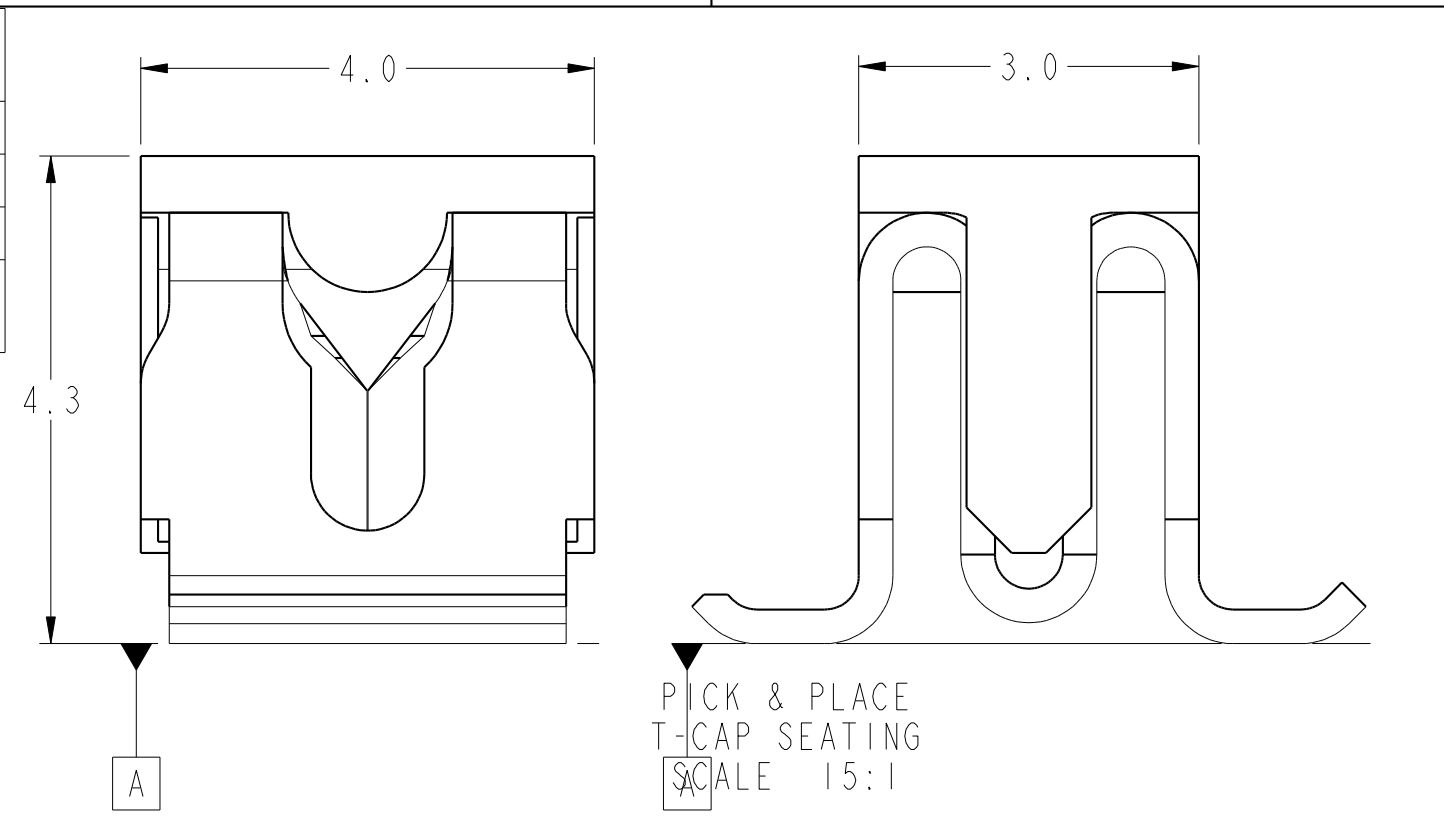


SCALE 5:1
PN 10127850-101LF and PN 10127850-00ITRLF shown

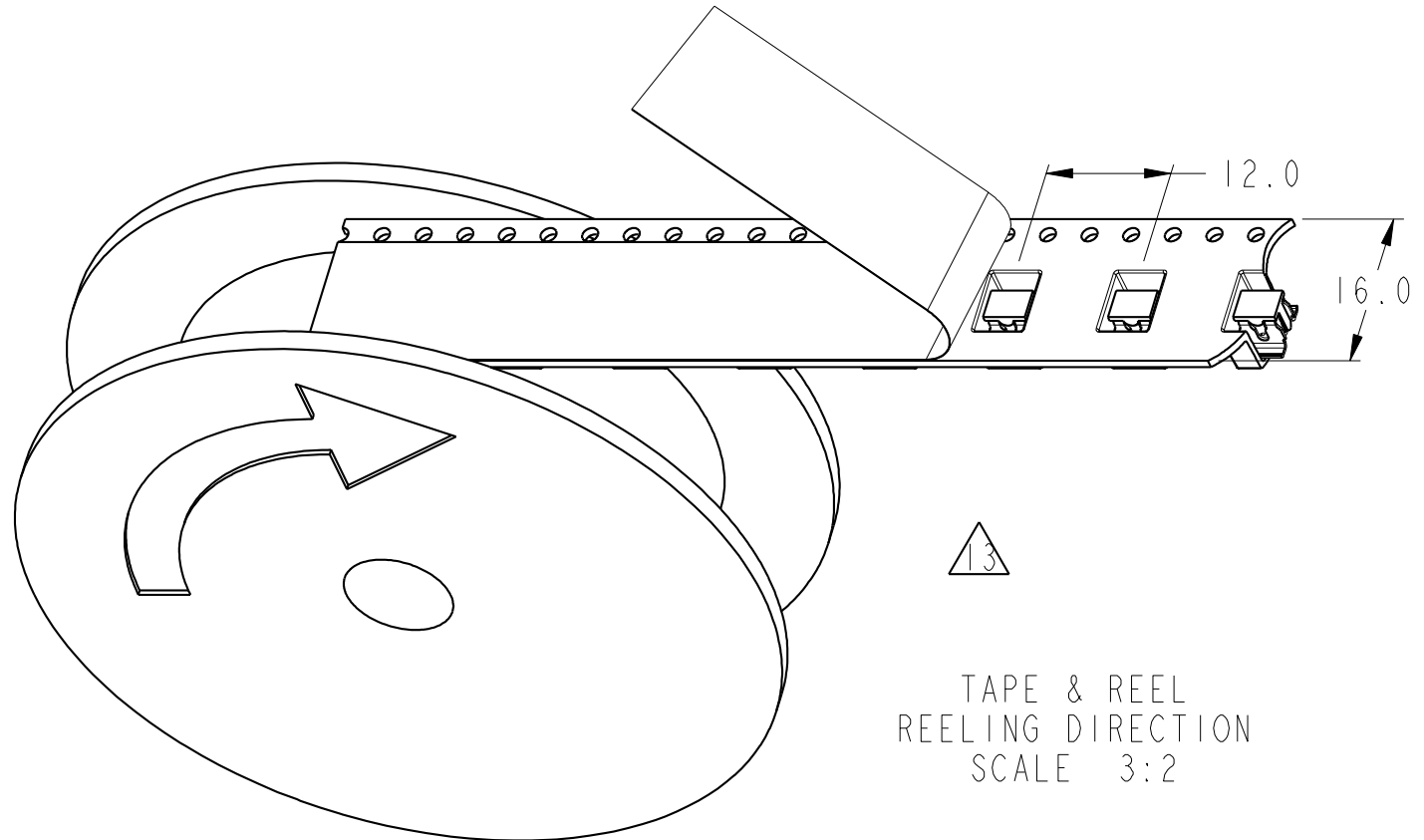
14 RECOMMENDED NOMINAL SOLDER STENCIL THICKNESS: 0.127MM (0.005 INCH)

spec ref	-	dr	James Sabo	2014/03/18	projection	mm	size	A3	scale	10:1	
tolerance std	ISO 406 ISO 1101	eng	Detouillon, Da	2022/02/03			ecn no	ELX-F-43742-1			
TOLERANCES UNLESS OTHERWISE SPECIFIED		chr	-	-			rel level	Released			
surface	ISO 1302	appr	Wollin, Severi	2022/02/03	product family	-	dwg no	10127850C		rev	D
	linear	0.X	±0.3		TERMINAL, GRIPLET™ SMT						
		0.XX	±0.05		20-32AWG						
	angular	0°	±2°		cat. no.	-	Product - Customer Drw	sheet 2 of 3			

REV	DATE	RESPONSIBLE ENGINEER	PURPOSE
1	21FEB2014	J. SABO	ORIGINAL
2	31OCT2014	J. SABO	ADD COINING. REV SOLDER-PAD.
A	13APR2015	J. SABO	ADD T&R AND T-CAP.
B	03JUN2015	J. SABO	DIMENSION T-CAP. ADD AS-STAMPED REELING. ADDED PN FOR W/O CAP IN T&R.



AS-STAMPED REELING DIRECTION
SCALE 2:1



TAPE & REEL REELING DIRECTION
SCALE 3:2

spec ref	-	dr	James Sabo	2014/03/18	projection	mm	size	A3	scale	10:1
tolerance std	ISO 406 ISO 1101	TOLERANCES UNLESS OTHERWISE SPECIFIED			eng	Detouillon, Da	2022/02/03	ecn no	ELX-F-43742-1	
surface	ISO 1302	linear	0.X	±0.3	chr	-	product family	rel level	Released	
			0.XX	±0.05	appr	Wollin, Severi	2022/02/03	dwg no	10127850C	rev
		angular	0°	±2°	Amphenol FCI		TERMINAL, GRIPLET, SMT			D
					www.fci.com	cat. no.	-	Product - Customer Drw	sheet 3 of 3	

Creo File:ELX-WC-A3C,REV F,2020-12-21