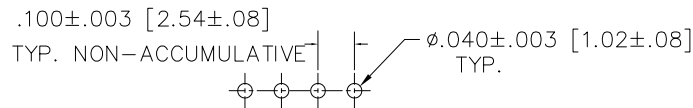
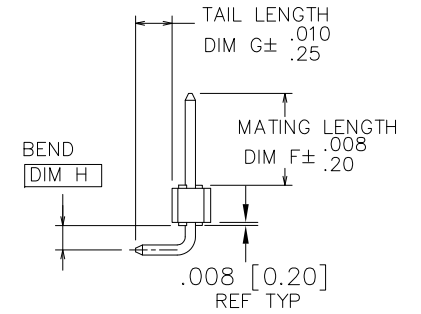
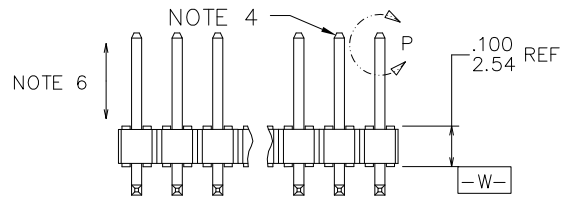
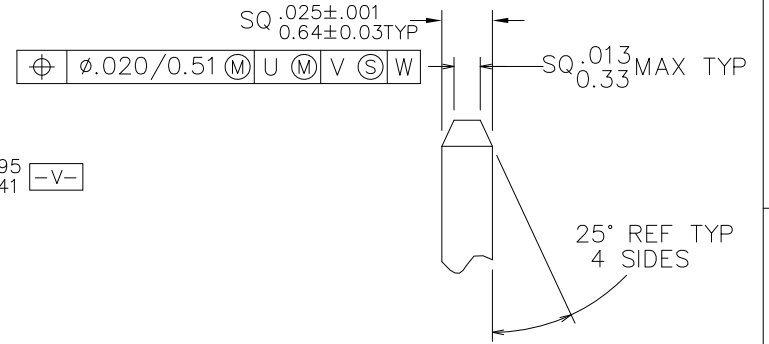
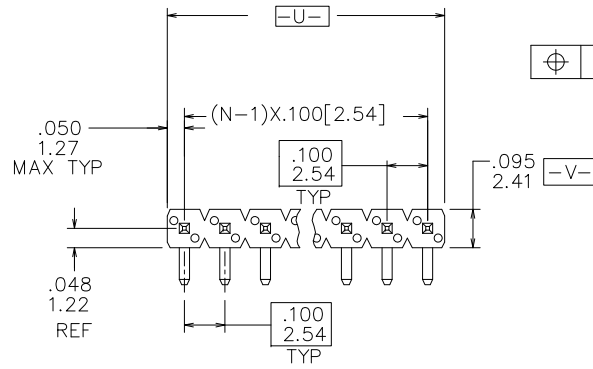


PRODUCT NUMBER

10129379 - X YY XXX X LF

- LEAD FREE OPTION (SEE NOTES 7)
- PACKAGING OPTIONS (SEE NOTE 3)
- INDICATES DIFFERENT MATING LENGTH TAIL LENGTH AND OTHER OPTIONS (SEE TABLE IN SHEET 2)
- NO OF POSITIONS (SEE NOTE 2)
- PIN PLATING (SEE SHEET 2)
- BASE PART NO.



RECOMMENDED HOLE PATTERN

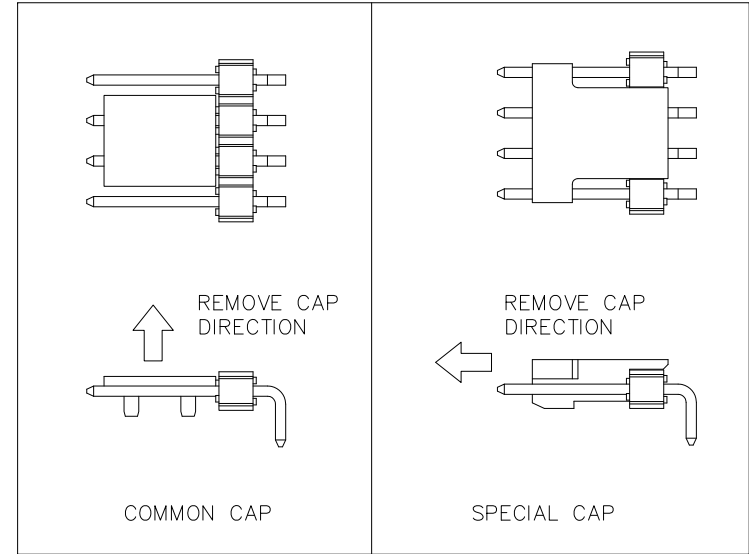
mat'l. code		surface		tolerance		projection		product family	
SEE NOTE 1		ISO 1302 ✓		ISO 406 ISO 1101		INCH/mm		ECONOSTIK	
ltr	ecn no	dr	date	tolerances unless otherwise specified		scale 1:1		title	
A	NEW	ZK	04/23/14	angles	linear			ECONOSTIK HEADER	
B	ELX-N-18529	ZK	08/14/14					.100/2.54cc SR R/A	
C	ELX-N-45076	MK	22/06/23	X'±2'					
				dr	ZK HU	04/23/14		dwg no	
				enr	MIKE XUAN	06/17/22		sheet 1 of 2	
				chr	LQ LEI	06/17/22		size	
				appd	TIM YAO	06/17/22		A4	
sheet index		revision sheet		C C				type Product Customer Drawing	
		1 2							

PRODUCT NUMBER	MATING LENGTH		TAIL LENGTH		BENDING DIMENSION	
	DIM F	DIM F	DIM G	DIM G	DIM H	DIM H
	ENGLISH	METRIC	ENGLISH	METRIC	ENGLISH	METRIC
10129379-XYY001XLF	0.230	5.84	0.120	3.05	0.060	1.52
10129379-XYY002XLF	0.230	5.84	0.090	2.29	0.060	1.52
10129379-XYY003XLF	0.318	8.08	0.120	3.05	0.060	1.52
10129379-XYY004XLF	0.318	8.08	0.090	2.29	0.060	1.52
10129379-XYY005XLF	0.591	15.00	0.090	2.29	0.060	1.52
10129379-XYY006XLF	0.120	3.05	0.120	3.05	0.060	1.52

PIN PLATING CODES:
10129379-9YYXXXXLF GOLD FLASH PLATING OVER 50u"/1.27u MIN Ni

NOTES:

- MATERIAL
BODAY MATERIAL: HIGH TEMPERATURE THERMOPLASTIC.
FLAME UL94-V0, BLACK.
PIN MATERIAL: COPPER ALLOY.
- ANY NUMBER OF POSITIONS N FROM 1 TO 36.
PRODUCT MAYBE CUTTING TO POSITION,
THE CUTTING PLASH IS 0.02[0.51] MAX.
- PACKING STYLE DEFINITION.
B: PACKED WITH POLY BAG
T: PACKED WITH TUBE
A: PACKED WITH TAPE AND REEL WITH COMMON PICK UP CAP
C: PACKED WITH TAPE AND REEL WITHOUT PICK UP CAP
E: PACKED WITH TAPE AND REEL WITH SPECIAL PICK UP CAP
- TWO SIDES OF PIN TIPS NOT PLATED, TYPICAL BOTH ENDS.
- 2LBS/0.9KG MIN PIN RETENTION IN EITHER DIRECTION BEFORE REFLOW.
- THE OAL DON'T EXCEED 1 INCH/25.4mm.
- ADD LF AT THE END OF PART NUMBER IS FOR LEAD FREE.
- THESE PRODUCT MEETS EUROPEAN UNION DIRECTIVES AND OTHER COUNTRY REGULATION AS DESCRIBED IN GS-22-008.
- PRODUCT SPECIFICATION: GS-12-1223.
- THIS PRODUCT WILL WITHSTAND EXPOSURE TO 260°C PEAK TEMPERATURE FOR 20 SECONDS IN WAVE SOLDER, INFRA-RED OR VAPOR PHASE SOLDER PROCESS.



mat'l. code SEE NOTE 1		surface ISO 1302 ✓		tolerance ISO 406 ISO 1101		projection 		product family ECONOSTIK	
ltr	ecn no	dr	date	tolerances unless otherwise specified		INCH/mm		title	
C				angles	linear	.xx±0.01/0.3 .xxx±0.008/.xx±0.20 .xxxx±0.0040/.xxxx±0.100		ECONOSTIK HEADER .100/2.54cc SR R/A	
				X'±2'		scale 1:1		dwg no sheet 2 of 2 size	
				dr	ZK HU	04/23/14	Amphenol FCI	10129379 A4	
				enr	MIKE XUAN	06/17/22		Product Customer Drawing	
				chr	LQ LEI	06/17/22			
				appd	TIM YAO	06/17/22			
sheet index	revision sheet								