

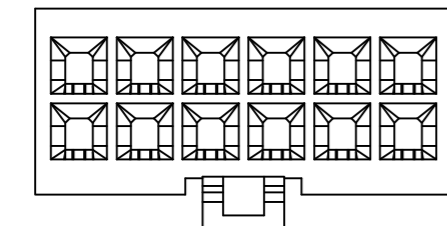
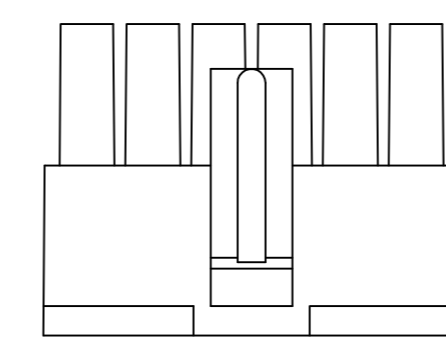
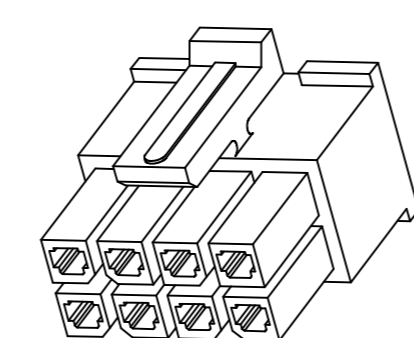
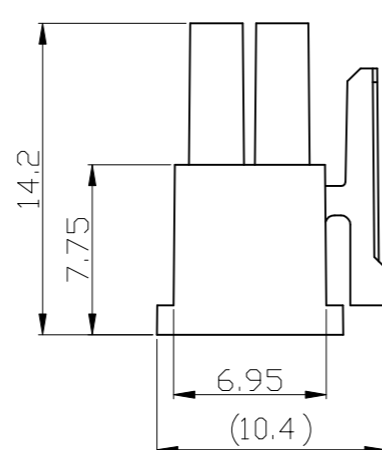
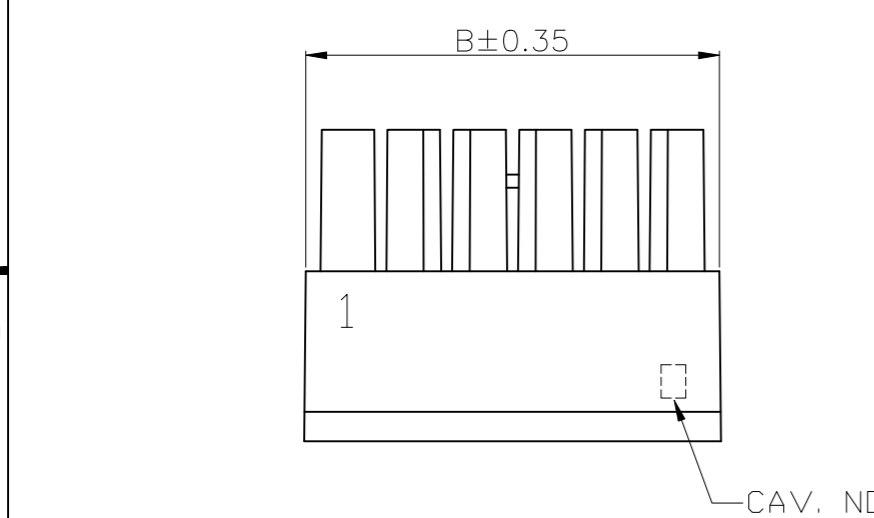
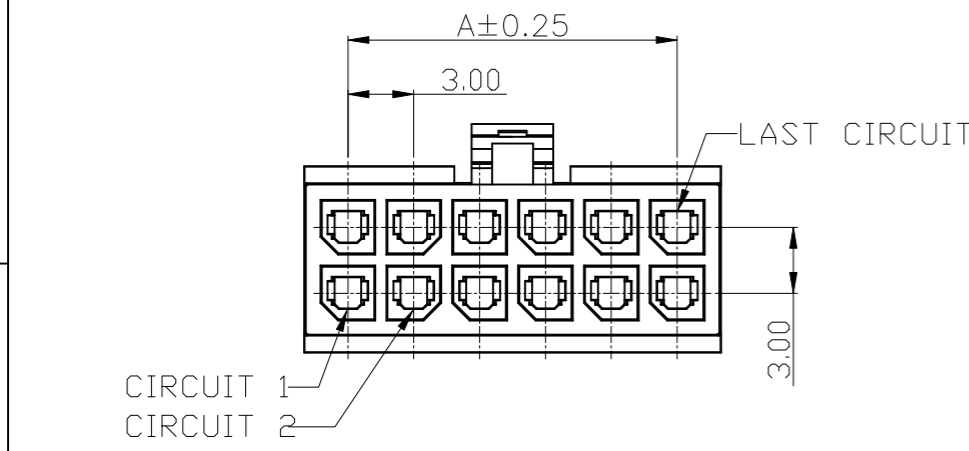
Amphenol FCI  
© 2016 AFCl

1 | 2 | 3 | 4 | 5 | 6

A | B | C | D

1 | 2 | 3 | 4 | 5 | 6

form: A3-2016-02-24 | PDS: Rev :D | STATUS:Released | Printed: Jan 24, 2024



NOTE:  
 1. MATERIAL:  
     HOUSING: NYLON 66, HALOGEN FREE  
     UL94V-0, COLOR: OPTIONS  
 2. REFER GS-20-0399 APPLICATION SPECIFICATION FOR MATING CONNECTOR.  
 3. PRODUCT SPECIFICATION: GS-12-1291.  
 4. PACKAGE SPECIFICATION: GS-14-2419 (BULK PACKED)  
 5. APPLICATION SPECIFICATION: GS-20-0399.  
 6. LEAD FREE PRODUCTS MEET EUROPEAN UNION DIRECTIVES AND OTHER COUNTRY REGULATIONS AS DESCRIBED IN GS-47-0004  
 7. PART NUMBER SCHEME:  
     10132445- XX X LF  
     POS. CODE:      LEAD FREE  
     02: 2 POS.      COLOR,  
     04: 4 POS.      BLANK: BLACK  
     24: 24 POS.

DIMENSIONAL & PART NO. TABLE:

PART NO.	POS	A	B
10132445-02XLF	2	3.0	3.85
10132445-04XLF	4	3.0	6.85
10132445-06XLF	6	6.0	9.85
10132445-08XLF	8	9.0	12.85
10132445-10XLF	10	12.0	15.85
10132445-12XLF	12	15.0	18.85
10132445-14XLF	14	18.0	21.85
10132445-16XLF	16	21.0	24.85
10132445-18XLF	18	24.0	27.85
10132445-20XLF	20	27.0	30.85
10132445-22XLF	22	30.0	33.85
10132445-24XLF	24	33.0	36.85

mat'l. code		surface <input checked="" type="checkbox"/> ISO 1302 <input checked="" type="checkbox"/> ISO 406 <input type="checkbox"/> ISO 1101		tolerance		projection		product family	
ltr		ecn no		dr		date		MINITEK PWR3.0 HCC	
A		TAI		2015-02-25		angles		title	
B		ELX-N-28240		TONY		2017-10-24		MINITEK PWR3.0 REC. HSG	
C		ELX-I-43460		ASLAM		2022-01-21		D/R HIGH CURRENT	
D		ELX-I-50412		VISHNU		2024-01-22		dwg no	
				enr		KENNY TAI		sheet 1 of 2	
				chr		VISHNU		size	
				appd		MITHUN PAUL		10132445	
						SPK		A3	
sheet index		revision sheet		D		D		type	
				1		2		Product Customer Drawing	





© 2016 AFCI

Amphenol  
FCi

1

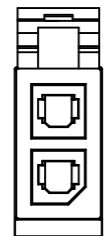
2 3

4

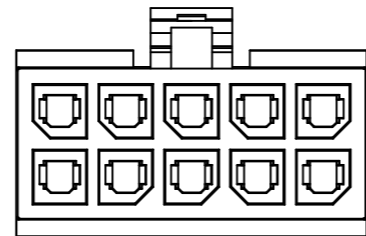
5

6

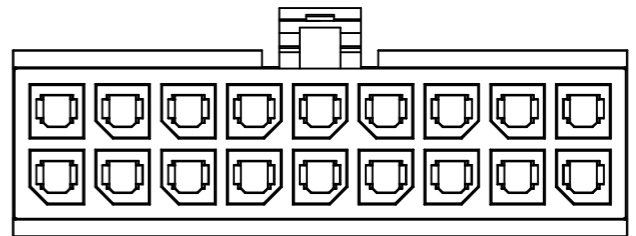
2 PDS.



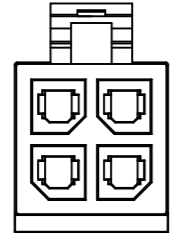
10 PDS.



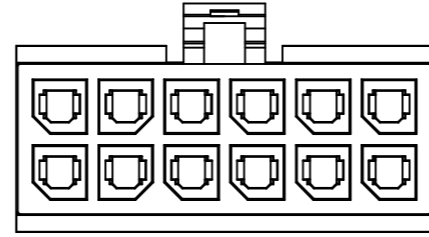
18 PDS.



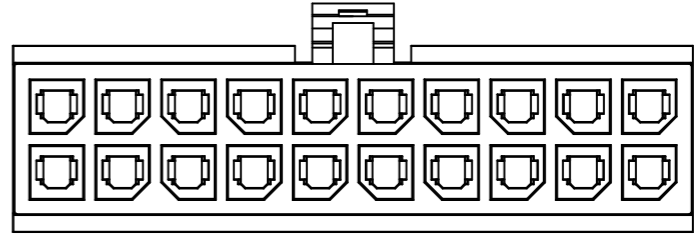
4 PDS.



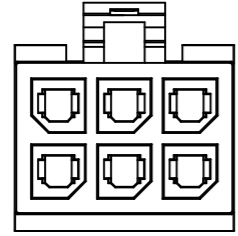
12 PDS.



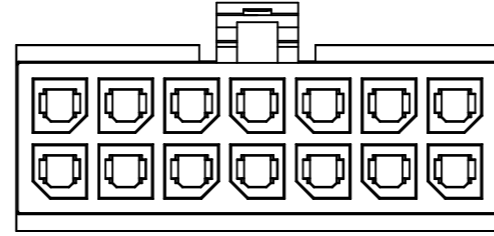
20 PDS.



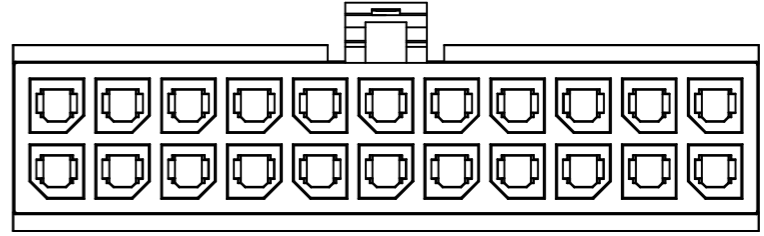
6 PDS.



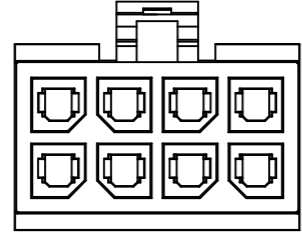
14 PDS.



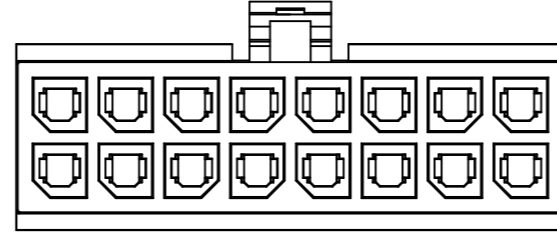
22 PDS.



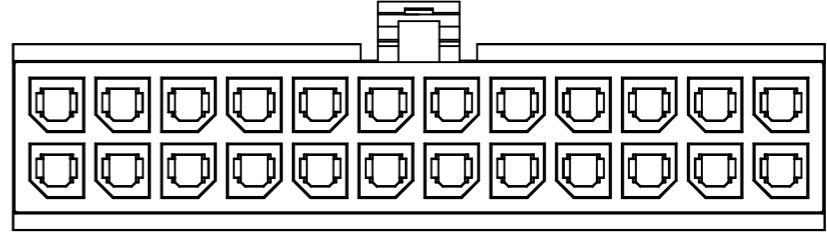
8 PDS.



16 PDS.



24 PDS.



mat'l. code		surface		tolerance		projection		product family	
		ISO 1302 ✓		ISO 406 ISO 1101				MINITEK PWR3.0 HCC	
ltr		ecn no		dr		date		title	
								MINITEK PWR3.0 REC. HSG D/R HIGH CURRENT	
		angles		linear		mm		dwg no	
		0°±3'		.00±.30		scale N.T.S.		sheet 2 of 2	
		dr		KENNY TAI		2015-02-03		size	
		engr		VISHNU		2024-01-22		A3	
		chr		MITHUN PAUL		2024-01-22		10132445	
		appd		SPK		2024-01-22		type	
								Product Customer Drawing	
sheet index		revision sheet		D		D			
				1		2			

1

2

3

4 PDS: Rev :D

STATUS:Released

Printed: Jan 24, 2024

6