

10139085-AA B C D E G V FF

AA	POSITION	DIMENSION		
		"A"	"B"	"C"
06	2X30	23.2	29.8	28.2
08	2X40	31.2	37.8	36.2
12	2X60	47.2	53.8	52.2

B	HEIGHT
1	SEE SHEET 2
4	SEE SHEET 3

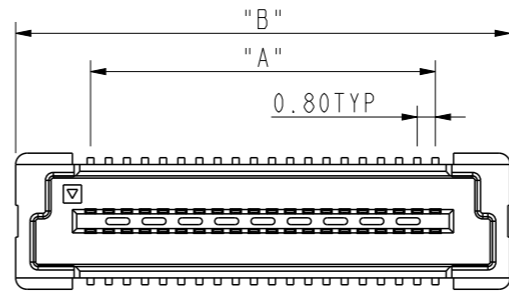
C	PLATING: CONTACT AREA/SOLDER AREA	FF
4	GOLD 0.2um MIN / PURE MATT TIN NICKEL UNDERPLATE OVERALL 1.27um. (LEADFREE PLATING)	LF
5	GOLD 0.38um MIN / MATT PURE TIN NICKEL UNDERPLATE OVERALL 1.27um MIN (LEADFREE PLATING)	LF
6	GOLD FLASH OVER PALLADIUM-NICKEL 0.69um MIN / PURE MATT TIN NICKEL UNDERPLATE OVERALL 1.27um. (LEADFREE PLATING)	LF
D	GOLD 0.38um MIN / GOLD FLASH NICKEL UNDERPLATE OVERALL 1.27um MIN (LEADFREE PLATING)	LF

V	MANDATORY CODE
/	STANDARD, NOT MANDATORY P/N
T	ONLY FOR DEDICATED CUSTOMER

G	DATE CODE
/	NOT PRINT DATE CODE
P	PRINT DATE CODE

E	PACKING
2	T&R WITH METAL CAP
Q	T&R WITHOUT CAP

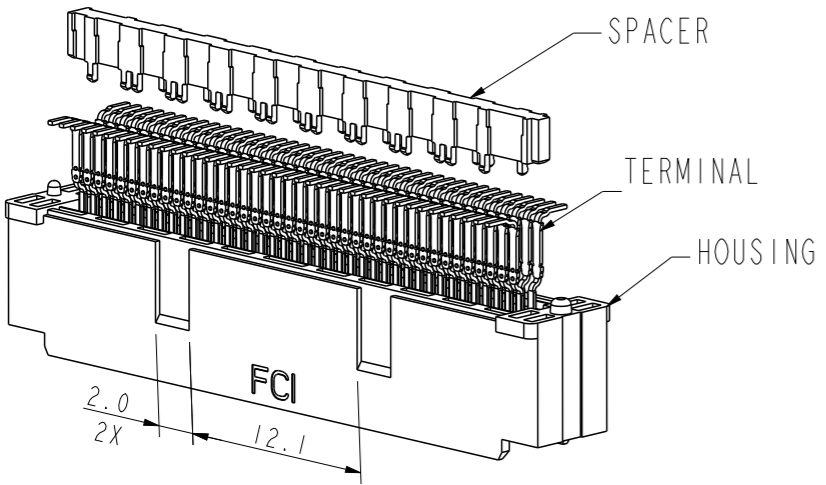
D	FEATURE
0	WITH POLARIZATION PEGS
2	WITHOUT POLARIZATION PEGS



- NOTE:
- MATERIAL:  
HOUSING: LCP,NATURAL, UL94-V0  
SPACER: ELECTRICAL LOSSY MATERIAL  
TERMINAL: COPPER ALLOY  
METAL CAP: STAINLESS STEEL
  - PLATING: AS SHOWN IN TABLE.
  - SEE GS-12-1354 FOR PRODUCT SPEC.
  - PACKAGING OPTION 2: NOT ALL SIZES ARE AVAILABLE. CHECK WITH FACTORY.
  - THIS PRODUCT MEETS THE EUROPEAN UNION DIRECTIVES AND OTHER COUNTRY REGULATIONS AS DESCRIBED IN GS-47-0004.
  - THE HOUSING WILL WITHSTAND EXPOSURE UP TO 260° PEAK TEMPERATURE FOR 30 SECONDS IN A CONVECTION, INFRA-RED OR VAPOR PHASE REFLOW OVEN.
  - THE P/N 10139085-\*\*\*\*\* OR 10139085-\*\*\*\*\*LF NOT PRINT DATE CODE.  
THE P/N 10139085-\*\*\*\*\*P OR 10139085-\*\*\*\*\*PLF NEED PRINT DATE CODE.
  - DIMENSIONS NEED TO MEASURE BY QC
  - THE GROUND PINS RELATE TO DIFFERENTIAL PAIR WILL BE CONNECTED TOGETHER BY SPACER

NOTE 9

AA	POSITION	THE GND PINS OF PLUG 4 RELATE TO DIFFERENTIAL PAIR WILL BE CONNECTED TOGETHER BY SPACER;ONLY THE GND PINS ARRANGED ON BOTH SIDES CAN SUPPORT HS SIGNAL
06	2X30	4 5 8 9 12 13 16 17 20 21 24 25 28 29 32 33 36 37 40 41 44 45 48 49 52 53 56 57
08	2X40	2 5 6 9 10 13 14 17 18 21 22 25 26 29 30 33 34 37 44 47 48 51 52 55 56 59 60 63 64 67 68 71 72 75 76 79
12	2X60	20 21 24 25 28 29 32 33 36 37 40 41 44 45 48 49 52 53 56 57 60 82 83 86 87 90 91 94 95 98 99 102 103 106 107 110 111 114 115 118 119

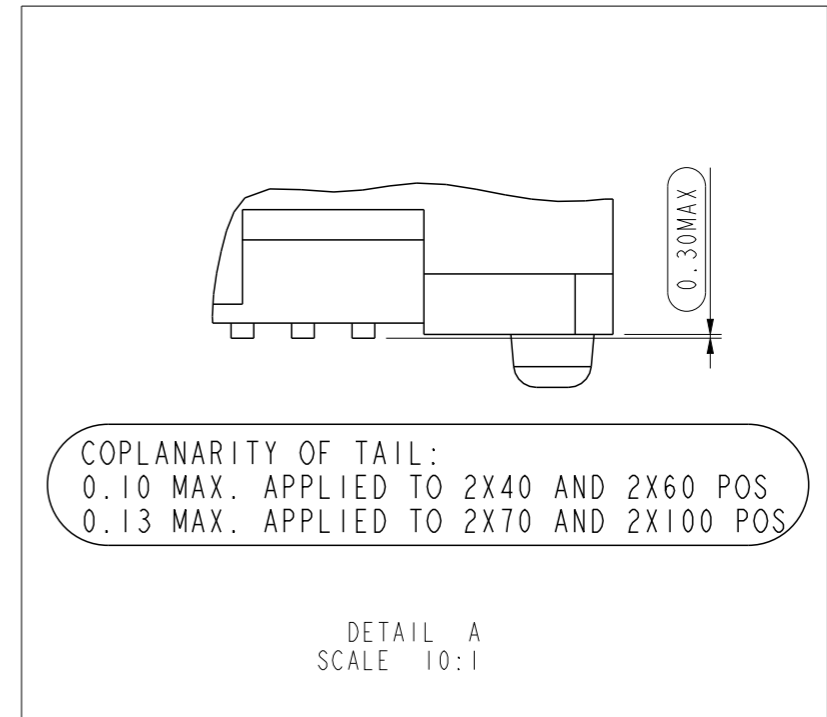
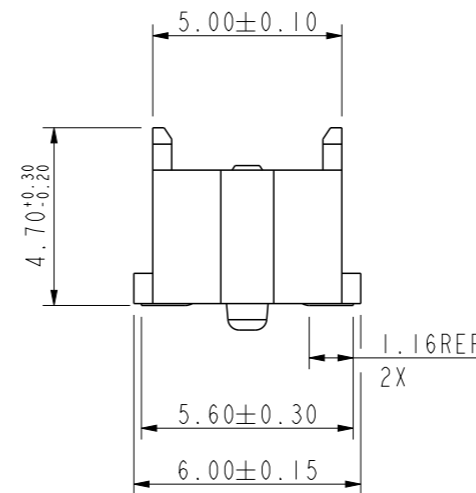
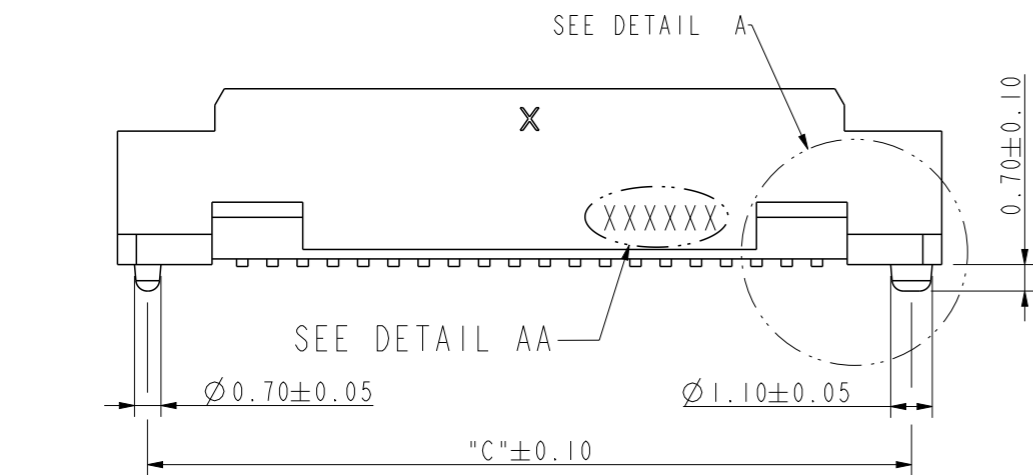
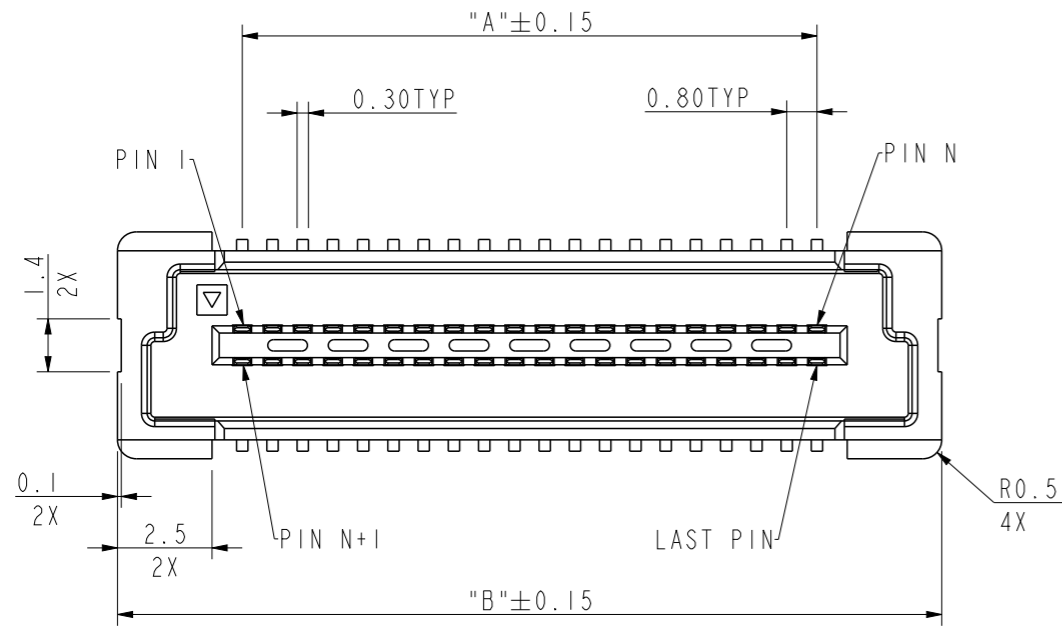


spec ref	-	dr	Eric Huang	2016/08/02	projection	mm	size	A3	scale	3:1
tolerance std	ISO 406 ISO 1101	eng	Alan Ni	2024/03/26			ecn no	ELX-N-50571-1		
	TOLERANCES UNLESS OTHERWISE SPECIFIED	chr	-	-			rel level	Released		
surface	linear	appr	Tim Yao	2024/03/28	product family	-	dwg no	10139085		
	angular				cat. no.	-	rev	L		
								Product - Customer Drw		
								sheet 1 of 4		

Amphenol FCI

© 2020 Amphenol Corporation

AA	POSITION	DIMENSION		
		"A"	"B"	"C"
06	2X30	23.2	29.8	28.2
08	2X40	31.2	37.8	36.2
12	2X60	47.2	53.8	52.2



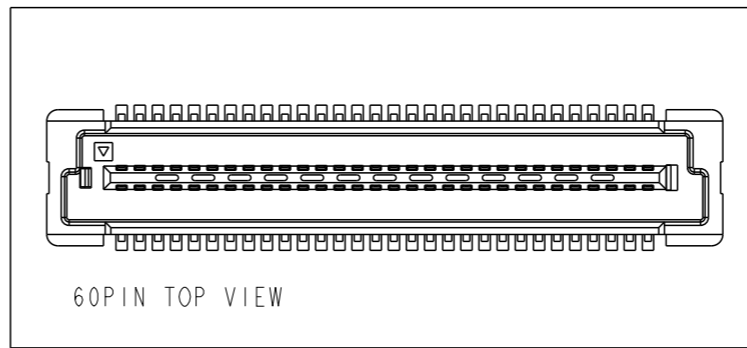
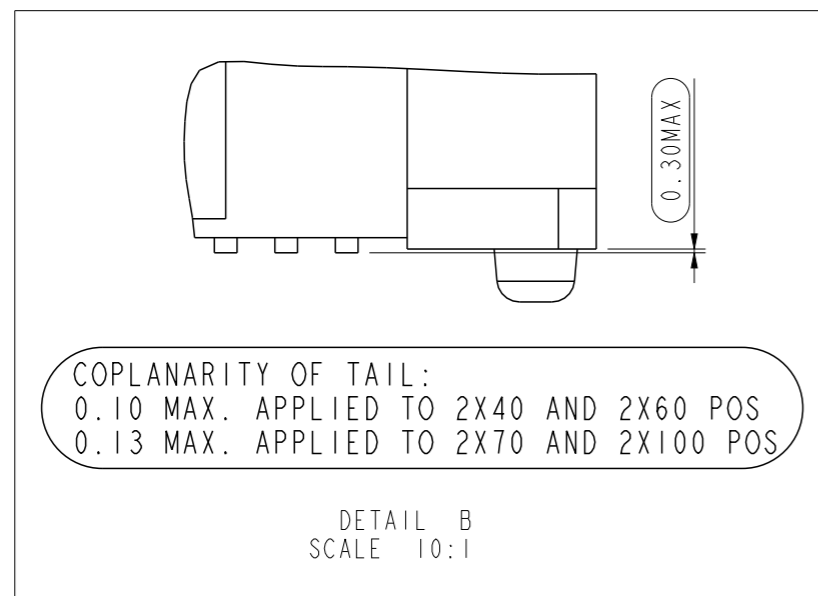
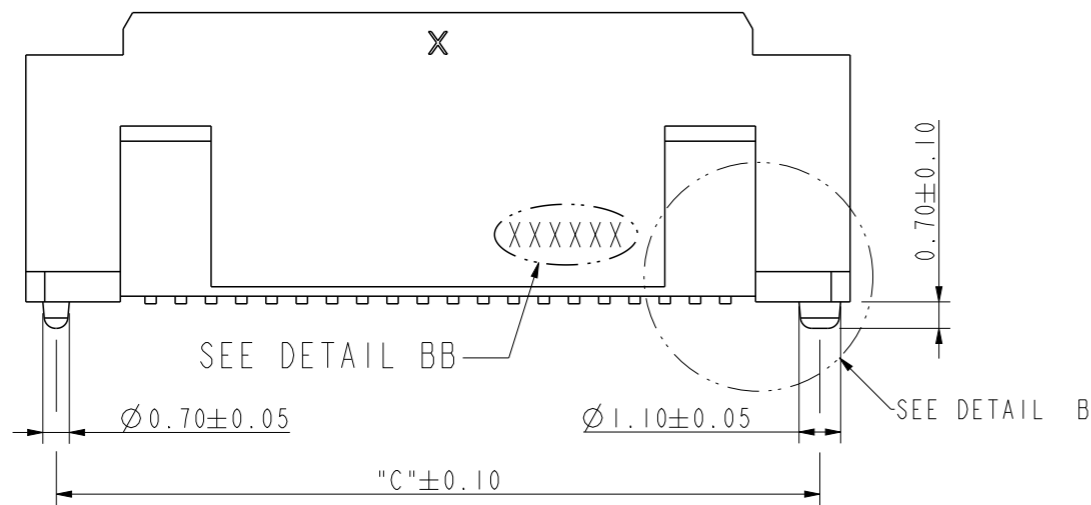
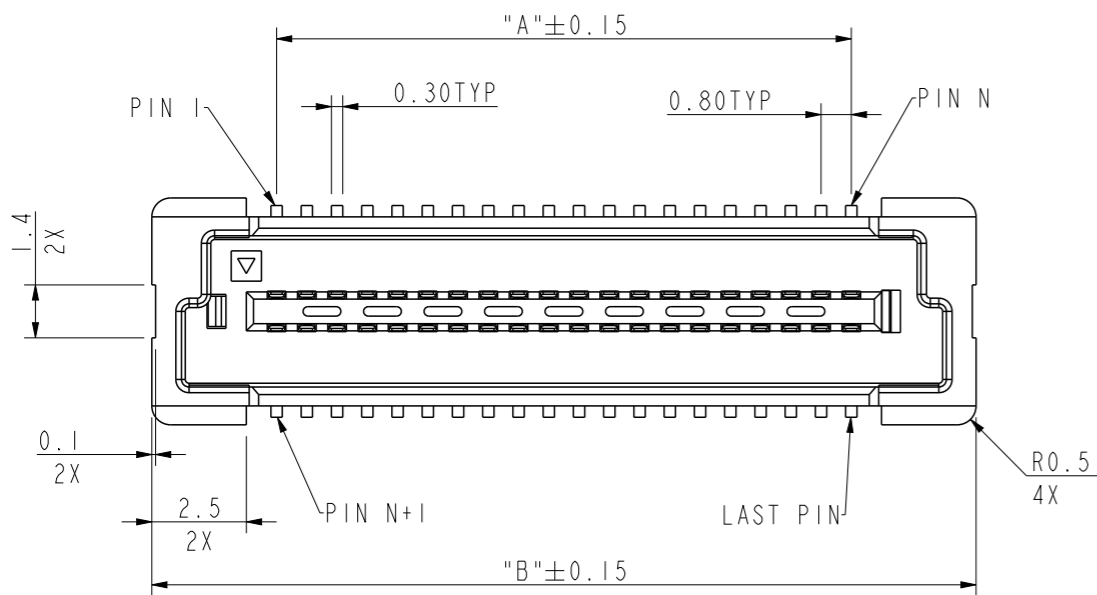
DATE CODE: XXXXXX  
 DAY(01~31)  
 MONTH(01~12)  
 YEAR(00~99)

DETAIL AA

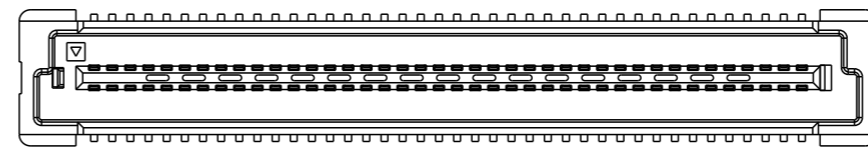
PLUG 1 WITHOUT SPACER

spec ref	-	dr	Eric Huang	2016/08/02	projection	mm	size	A3	scale	5:1	
tolerance std	ISO 406 ISO 1101	eng	Alan Ni	2024/03/26		← →	ecn no	ELX-N-50571-1			
TOLERANCES UNLESS OTHERWISE SPECIFIED		chr	-	-			rel level	Released			
surface	linear	appr	Tim Yao	2024/03/28	product family	-	dwg no	10139085		rev	L
ISO 1302	angular	Amphenol FCI		cat. no.	-	Product - Customer Drw	sheet 2 of 4				
	0.X	±0.3	BERGSTAK+ 0.8mm								
	0.XX	±0.15	PLUG CONN								
	0.XXX	±0.08									
	0°	±2°									

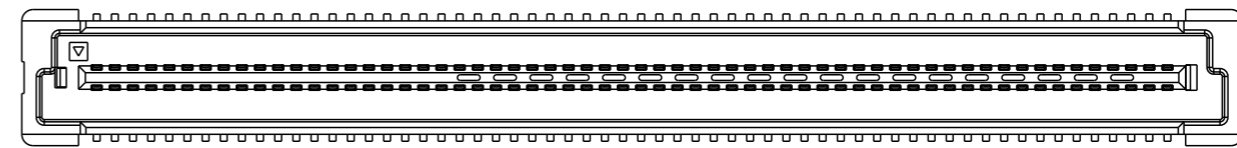
AA	POSITION	DIMENSION		
		"A"	"B"	"C"
06	2X30	23.2	29.8	28.2
08	2X40	31.2	37.8	36.2
12	2X60	47.2	53.8	52.2



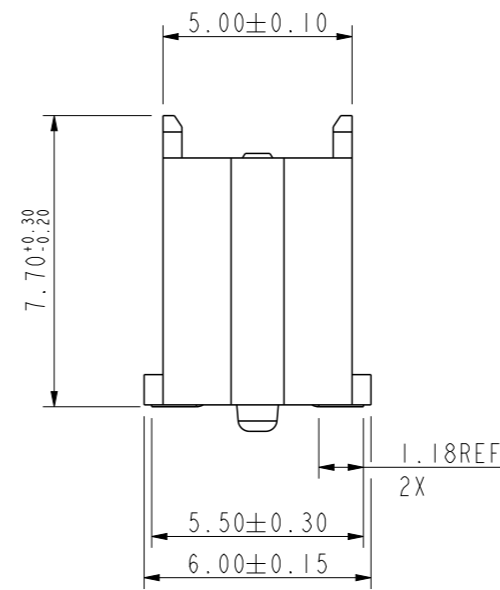
60PIN TOP VIEW



80PIN TOP VIEW



120PIN TOP VIEW



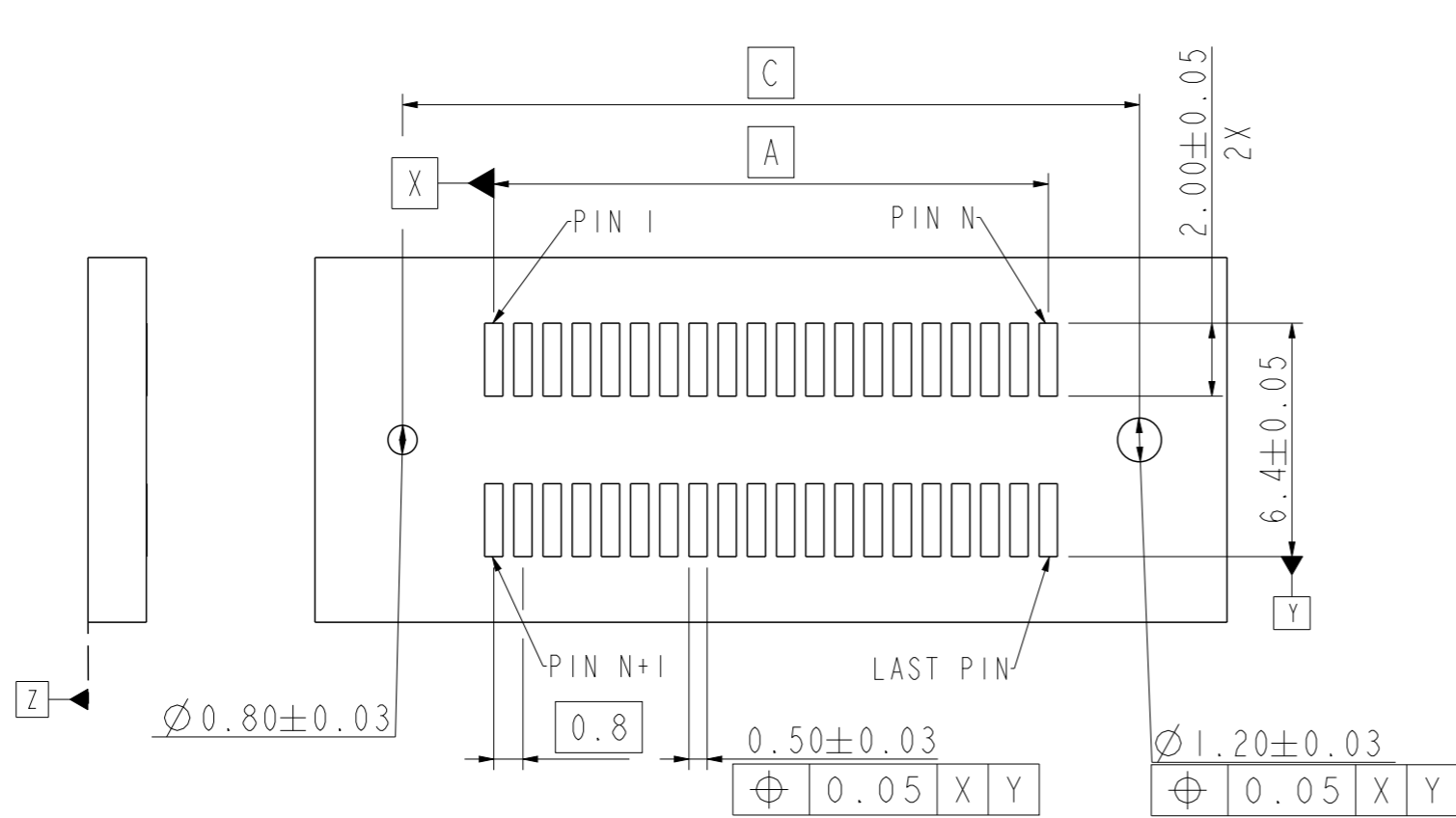
DATE CODE: XXXXXX  
 DAY(01~31)  
 MONTH(01~12)  
 YEAR(00~99)

DETAIL BB

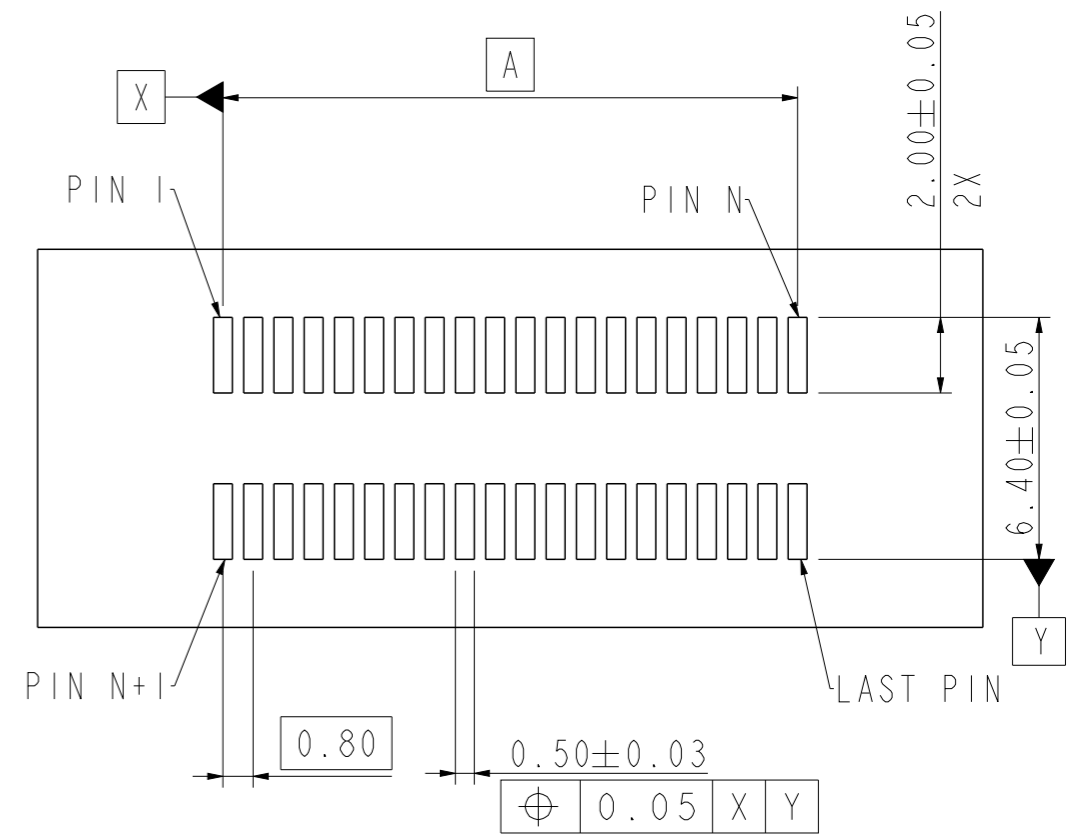
PLUG 4 WITH SPACER

spec ref	-	dr	Eric Huang	2016/08/02	projection	mm	size	A3	scale	1:1	
tolerance std	ISO 406 ISO 1101	eng	Alan Ni	2024/03/26			ecn no	ELX-N-50571-1			
TOLERANCES UNLESS OTHERWISE SPECIFIED		chr	-	-			rel level	Released			
surface	linear	appr	Tim Yao	2024/03/28	product family	-	dwg no	10139085		rev	L
ISO 1302	angular	<b>Amphenol FCI</b> BERGSTAK+ 0.8mm PLUG CONN		cat. no.	-	Product - Customer Drw	sheet 3 of 4				

AA	POSITION	DIMENSION		
		"A"	"B"	"C"
06	2X30	23.2	29.8	28.2
08	2X40	31.2	37.8	36.2
12	2X60	47.2	53.8	52.2



RECOMMENDED PLUG PCB LAYOUT WITH PEG



RECOMMENDED PLUG PCB LAYOUT WITHOUT PEG

spec ref	-	dr	Eric Huang	2016/08/02	projection	mm	size	A3	scale	1:1	
tolerance std	ISO 406 ISO 1101	eng	Alan Ni	2024/03/26			ecn no	ELX-N-50571-1			
TOLERANCES UNLESS OTHERWISE SPECIFIED		chr	-	-			rel level	Released			
surface	linear	appr	Tim Yao	2024/03/28	product family	-	dwg no	10139085		rev	L
ISO 1302	angular	<b>Amphenol FCI</b>		title	BERGSTAK+ 0.8mm PLUG CONN		cat. no.		-	Product - Customer Drw	
										sheet 4 of 4	