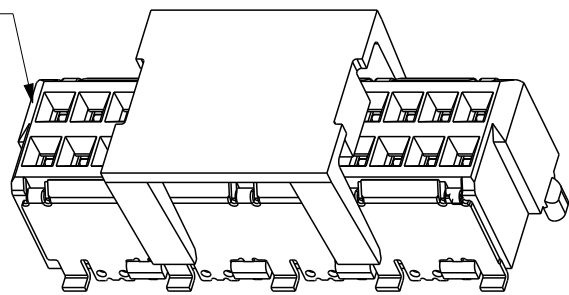


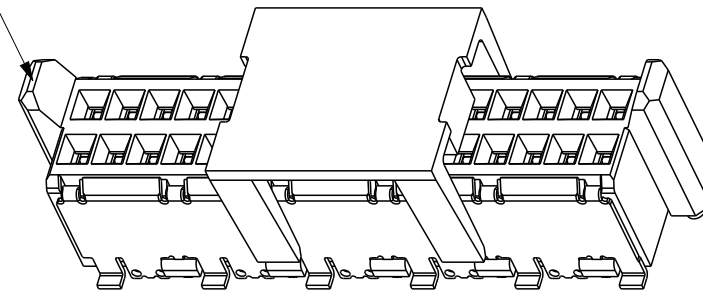
Guide Style 1

10146152-2600RLF



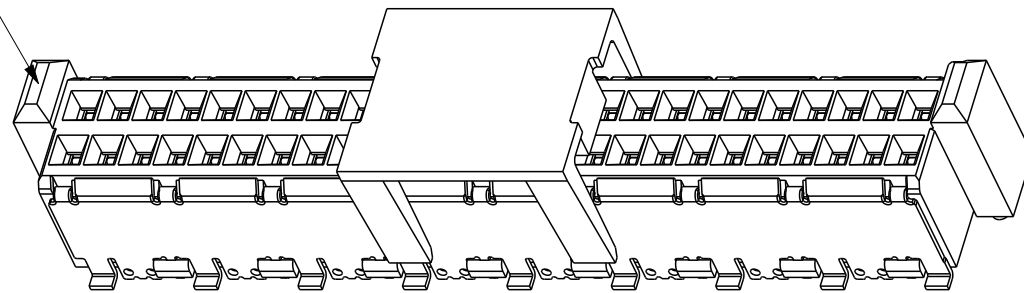
Guide Style 3

10146152-3220RLF

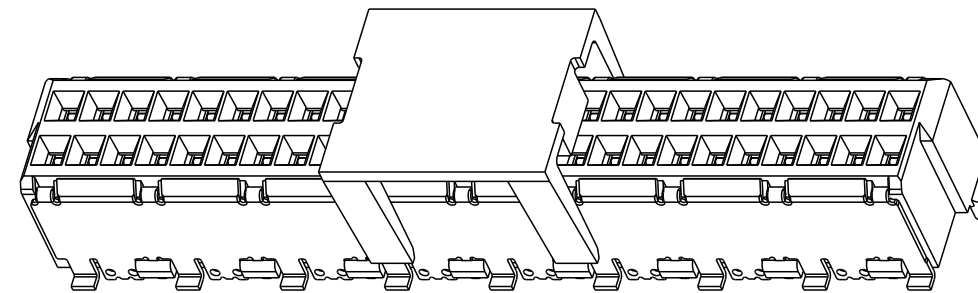


Guide Style 2

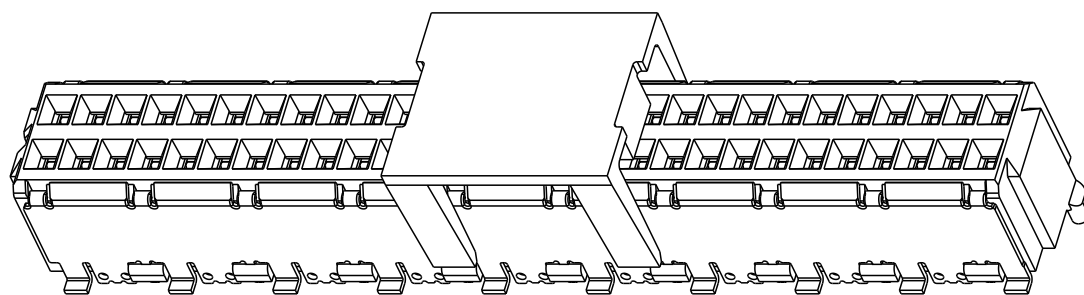
10146152-5010RLF



10146152-5000RLF



10146152-5600RLF



Product code:
10146152-XXX0RLF

Pin Number	Guide Option
26: 26Pin	0: Guide Style 1
32: 32Pin	1: Guide Style 2
50: 50Pin	2: Guide Style 3
56: 56Pin	

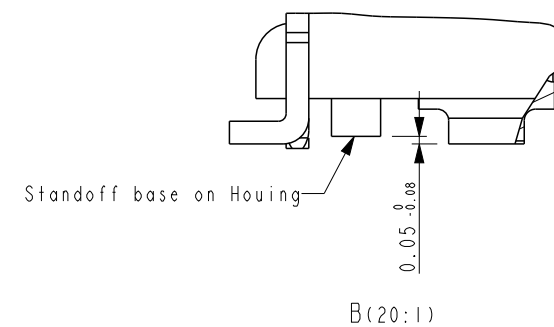
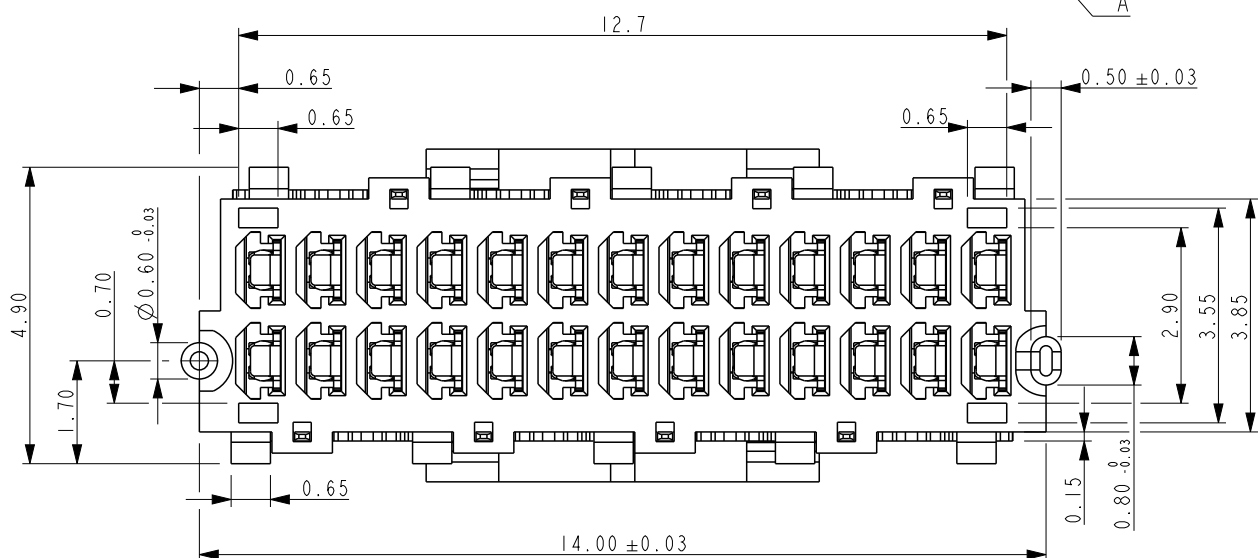
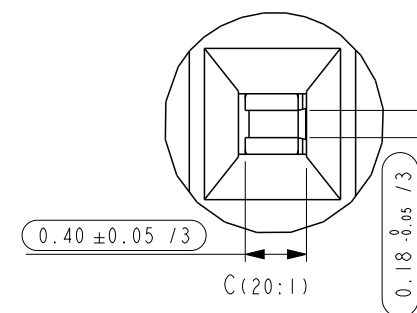
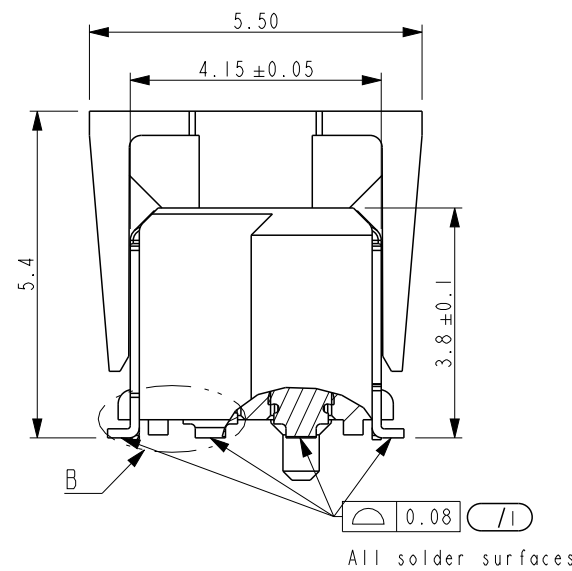
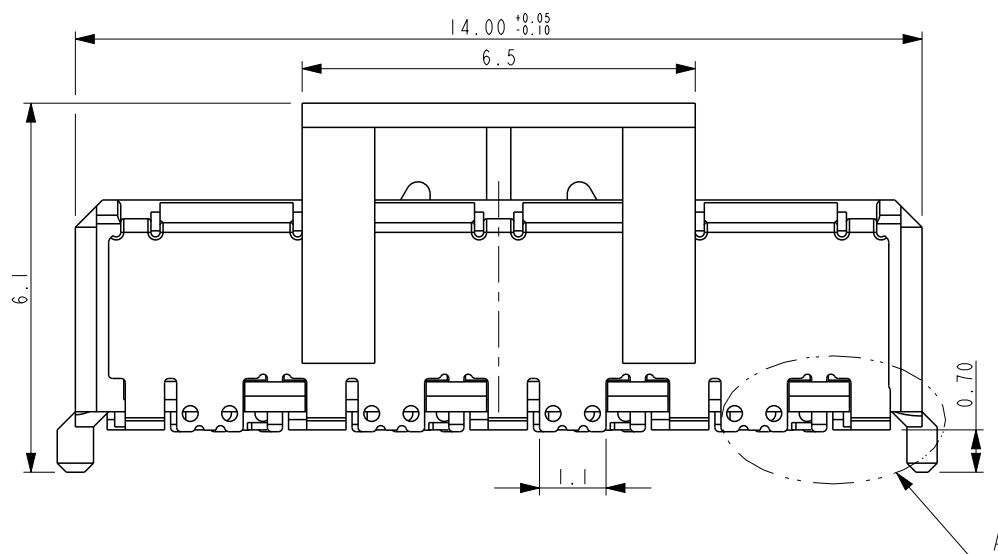
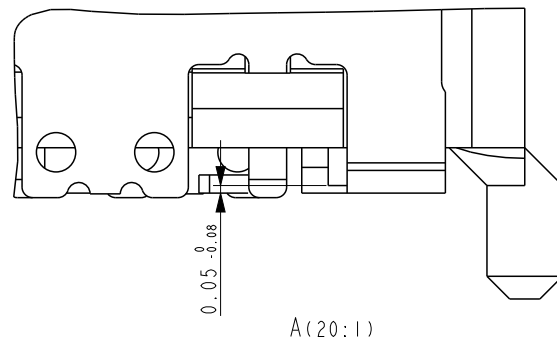
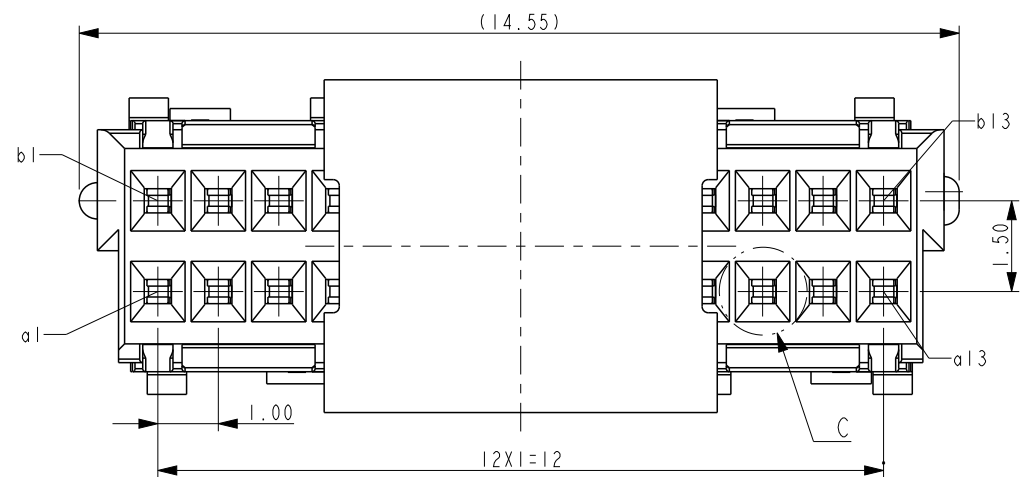
Note

1. Material:
 - 1.1 Housing and Cap: LCP 30%GF, E130I Black, Ticona
 - 1.2 Terminal and shield: CuSn6
2. Plating:
 - 2.1 Under plating: 1-3µm Ni under plating;
 - 2.2 Contact area: 0.65 µm PdNi, 0.10µm Au;
 - 2.3 Solder area: Terminal is 2-4µm Sn, Shield is 0.02~0.1µm Au.

- (/1) Inspection level 1: control chart required
Proof of process capability or 100% test if process capability is not achieved
- (/2) Inspection level 2 and 3: control chart required
Proof of mean value, standard deviation and machine capability
- (/3) Proof of values or proof of attributive test

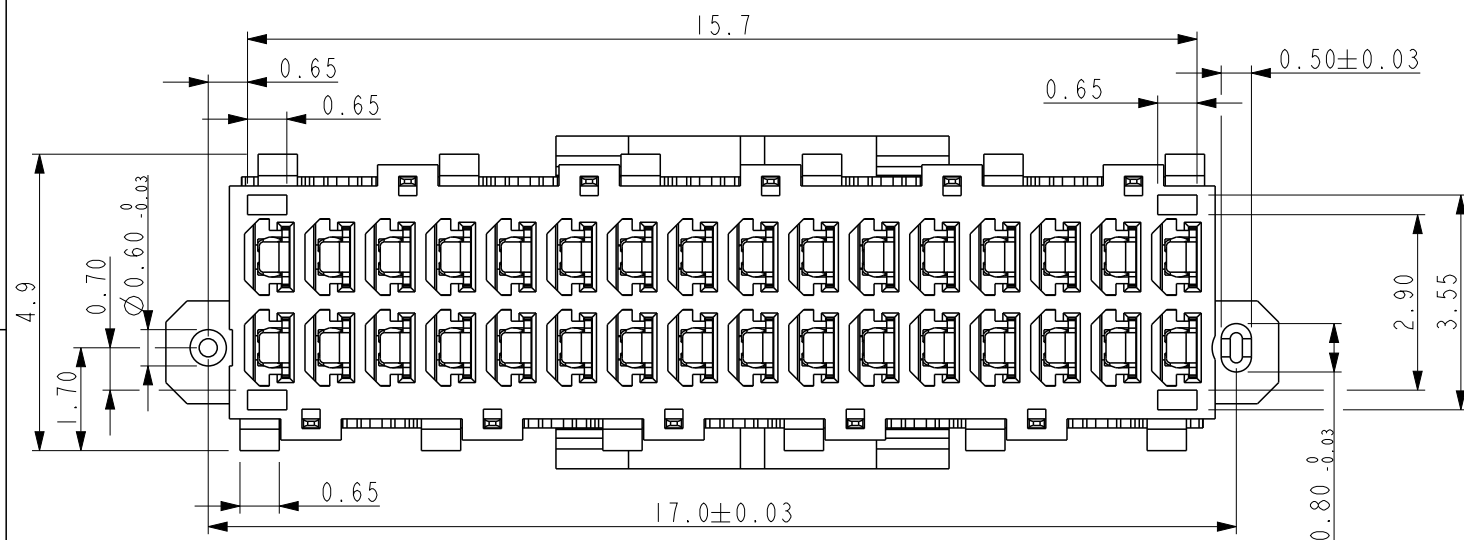
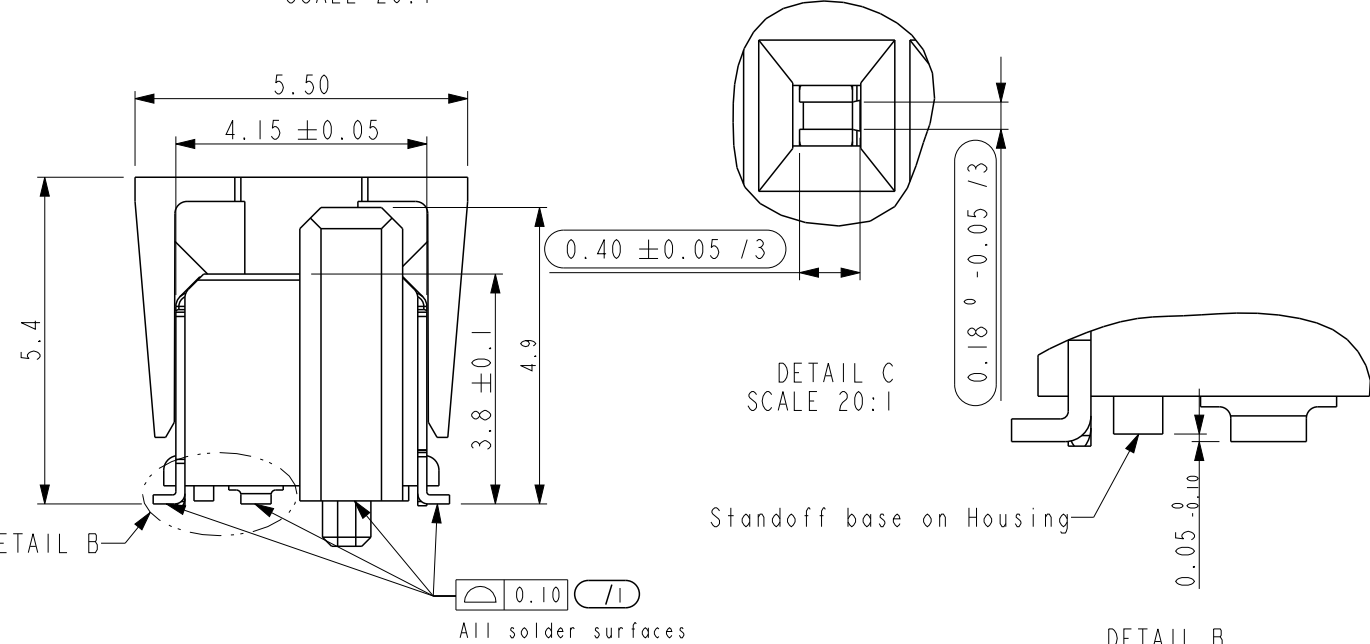
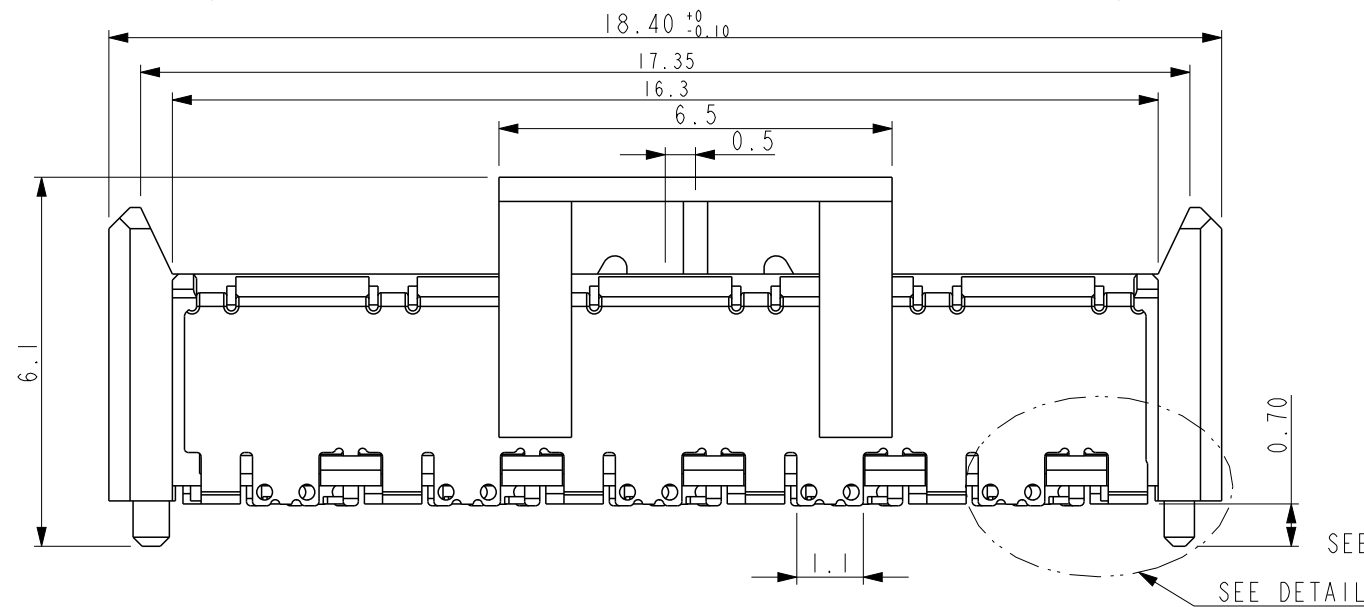
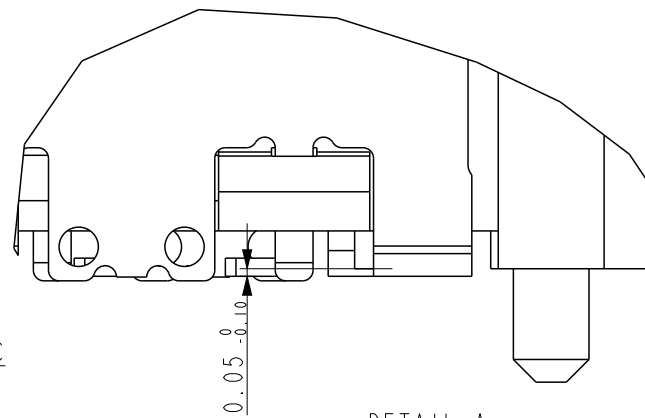
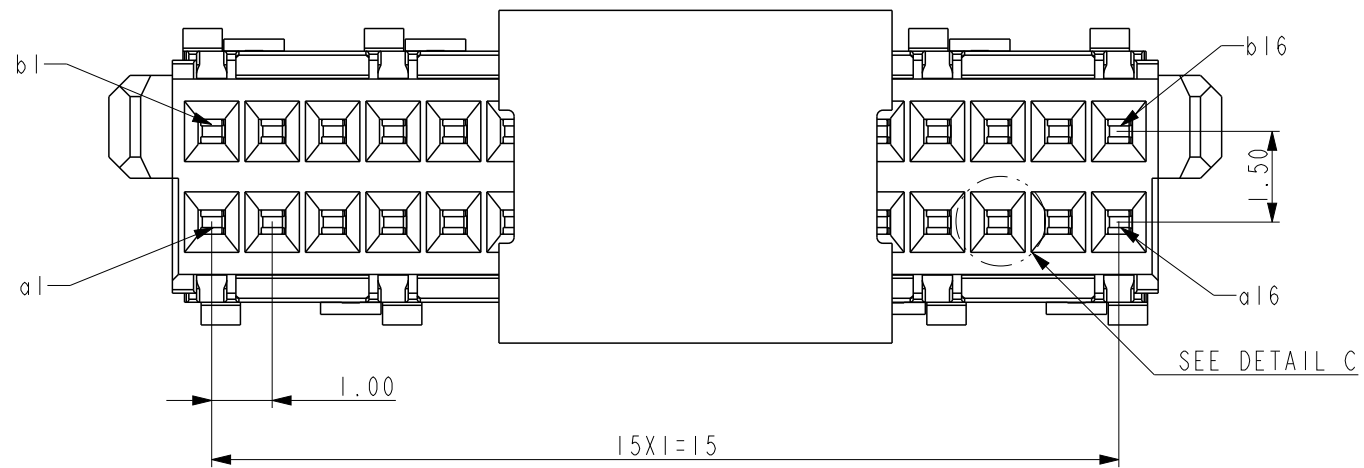
spec ref	*	dr	Li-Qing Lei	2017/12/18	projection	mm	size	A3	scale	5:1		
tolerance std	TOLERANCES UNLESS OTHERWISE SPECIFIED	eng	Li-Qing Lei	2024/05/07			ecn no	ELX-N-51421-1				
		chr	-	-			rel level	Released				
surface	linear	appr	Tim Yao	2024/05/13	product family		dwg no	10146152		rev	B	
ASME Y14.5	angular											
	0.X	±0.20	Amphenol FCI Female 4mm SMD Microspeed Vertical Series amphenol-icc.com									
	0.XX	±0.10										
	0.XXX	±0.05										
	0°	±2°	cat. no.	Product - Customer Drw		sheet 1 of 10						

PRODUCT NO.
10146152-2600RLF



spec ref	*	dr	Li-Qing Lei	2017/12/18	projection	mm	size	A3	scale	8:1
tolerance std	TOLERANCES UNLESS OTHERWISE SPECIFIED	eng	Li-Qing Lei	2024/05/07			ecn no	ELX-N-51421-1		
surface	linear	chr	-	-			rel level	Released		
ASME Y14.5	angular	appr	Tim Yao	2024/05/13	product family		cat. no.	Product - Customer Drw	sheet 2 of 10	
	0.X	±0.20	Amphenol FCI	Female 4mm SMD Microspeed Vertical Series	title	dwg no 10146152	rev B			
	0.XX	±0.10								
	0.XXX	±0.05								
	0°	±2°								

PRODUCT NO.
10146152-3220RLF



spec ref	*	dr	Li-Qing Lei	2017/12/18	projection	mm	size	A3	scale	8:1	
tolerance std	TOLERANCES UNLESS OTHERWISE SPECIFIED	eng	Li-Qing Lei	2024/05/07			ecn no	ELX-N-51421-1			
surface	linear	chr	-	-			rel level	Released			
ASME Y14.5	angular	appr	Tim Yao	2024/05/13	product family		dwg no	10146152		rev	B
	0.X ±0.20	Amphenol FCI			title		Female 4mm SMD				
	0.XX ±0.10	amphenol-icc.com			cat. no.		Product - Customer Drw		sheet 3 of 10		
	0.XXX ±0.05										
	0° ±2°										

Creo File:ELX-WC-A3C.REV F.2020-12-21

Amphenol FCI

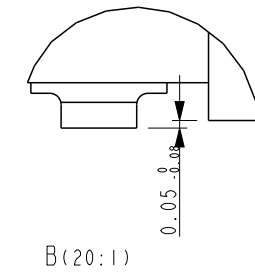
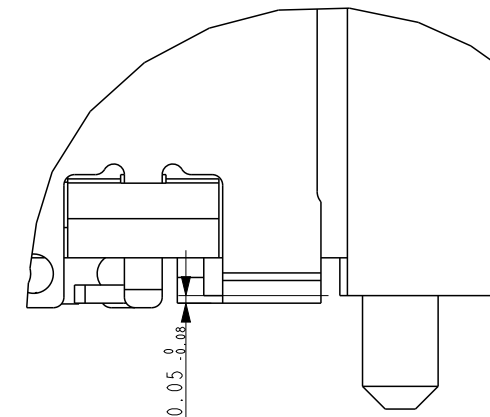
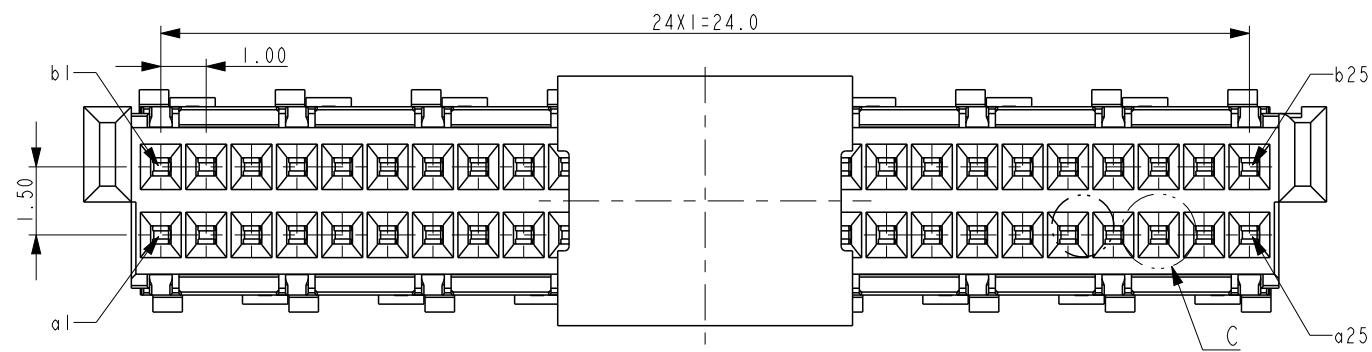
© 2020 Amphenol Corporation

PDS: Rev :B

STATUS:Released

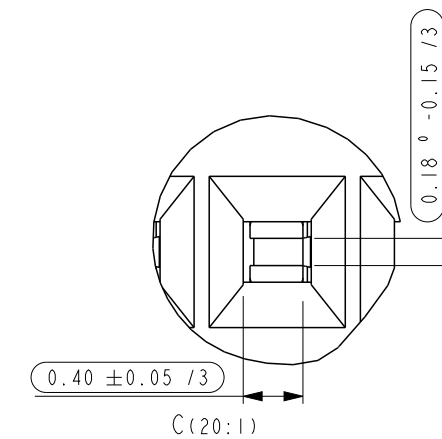
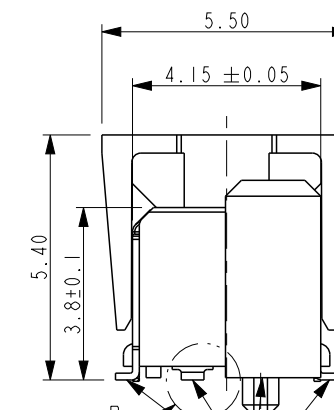
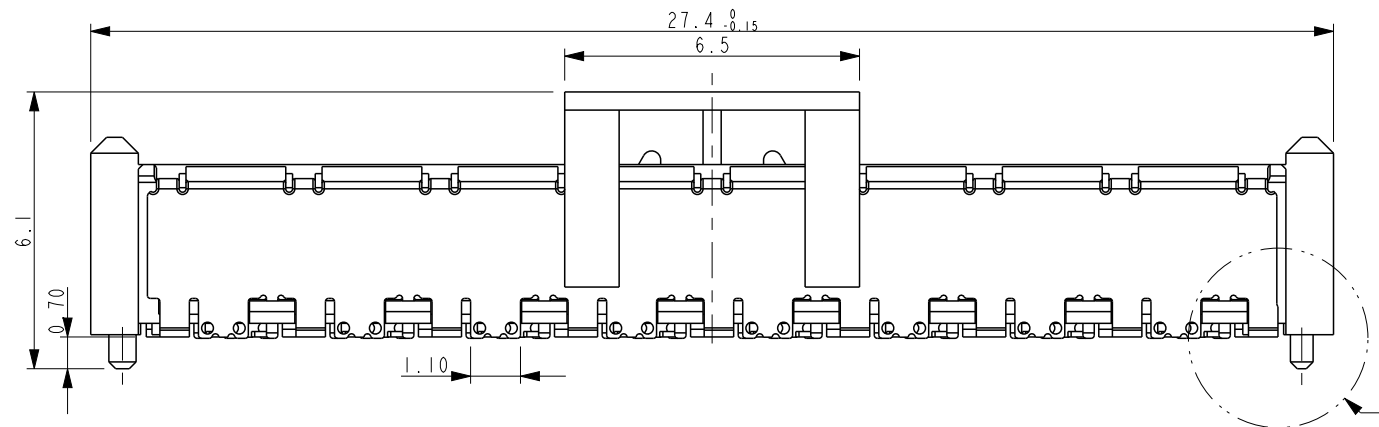
Printed: May 13, 2024

PRODUCT NO.
10146152-5010RLF

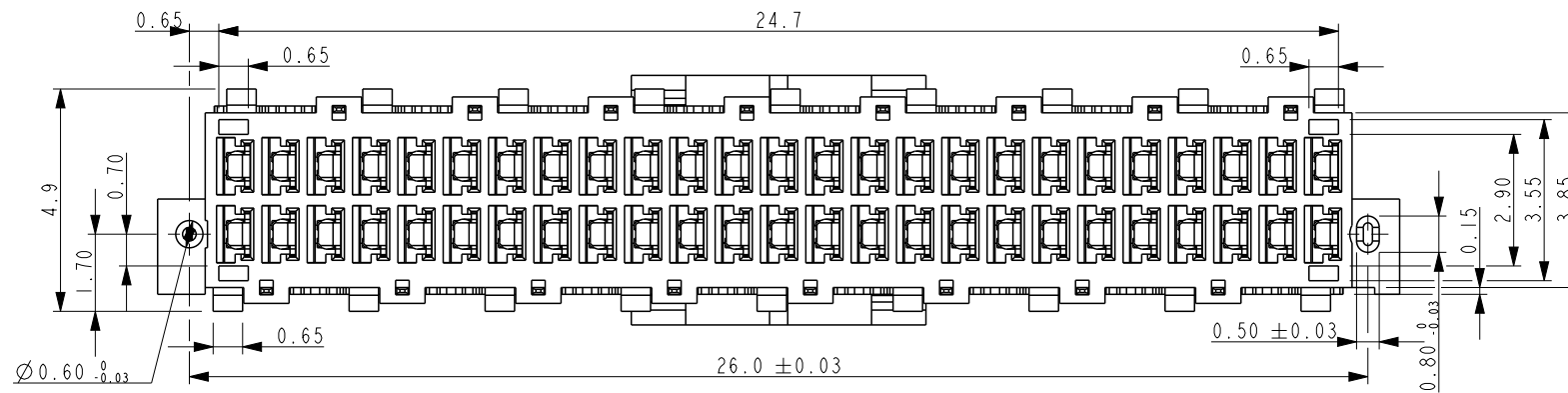


A(20:1)

B(20:1)

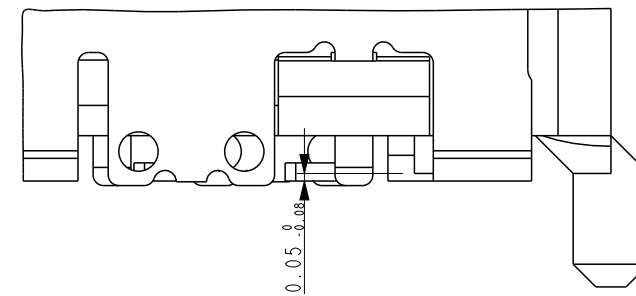
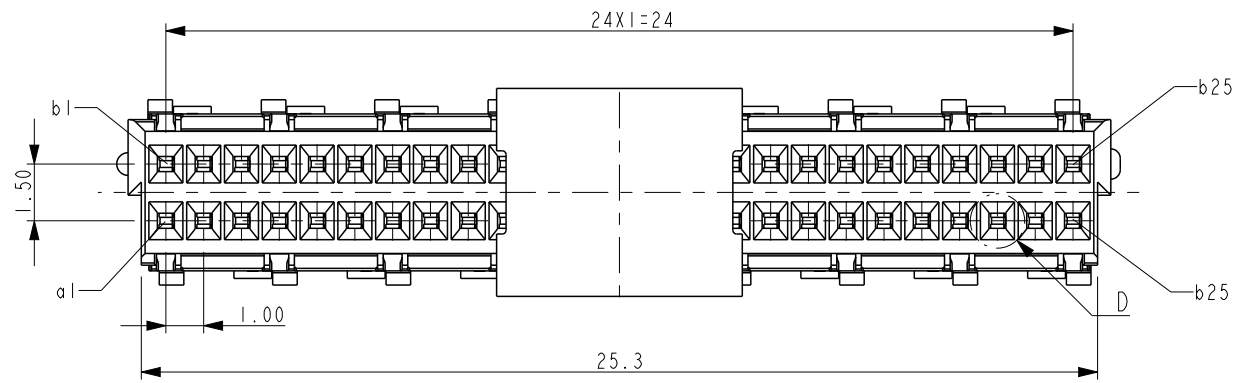


All solder surfaces

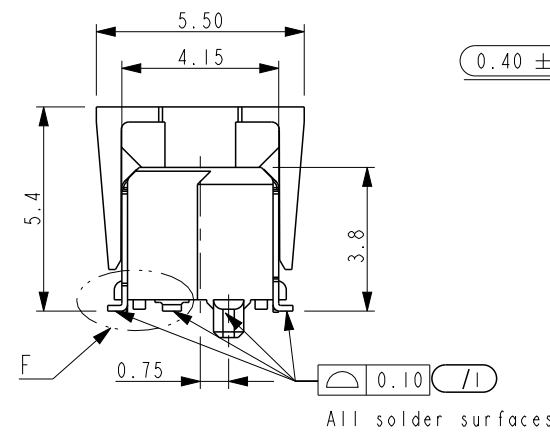
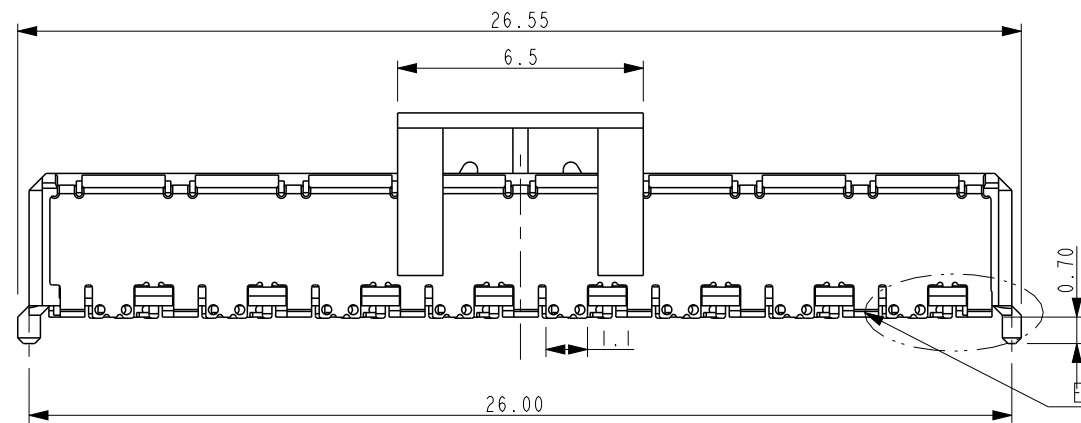


spec ref	*	dr	Li-Qing Lei	2017/12/18	projection	mm	size	A3	scale	6:1											
tolerance std	TOLERANCES UNLESS OTHERWISE SPECIFIED	eng	Li-Qing Lei	2024/05/07			ecn no	ELX-N-51421-1													
surface	<table border="1"> <tr> <td>linear</td> <td>0.X</td> <td>±0.20</td> </tr> <tr> <td></td> <td>0.XX</td> <td>±0.10</td> </tr> <tr> <td></td> <td>0.XXX</td> <td>±0.05</td> </tr> <tr> <td>ASME Y14.5</td> <td>angular</td> <td>0°</td> <td>±2°</td> </tr> </table>	linear	0.X	±0.20				0.XX	±0.10		0.XXX	±0.05	ASME Y14.5	angular	0°	±2°	chr	-	product family	rel level	Released
linear	0.X	±0.20																			
	0.XX	±0.10																			
	0.XXX	±0.05																			
ASME Y14.5	angular	0°	±2°																		
		appr	Tim Yao	2024/05/13	<p>Amphenol FCI</p> <p>Female 4mm SMD</p> <p>Microspeed Vertical Series</p>		dwg no	10146152		rev	B										
		amphenol-icc.com		cat. no.	Product - Customer Drw		sheet 4 of 10														

PRODUCT NO.
10146152-5000RLF



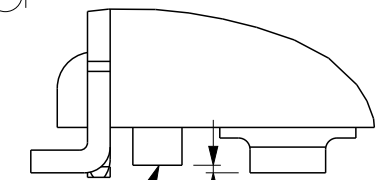
E (20:1)



0.40 ± 0.05 / 3

D (20:1)

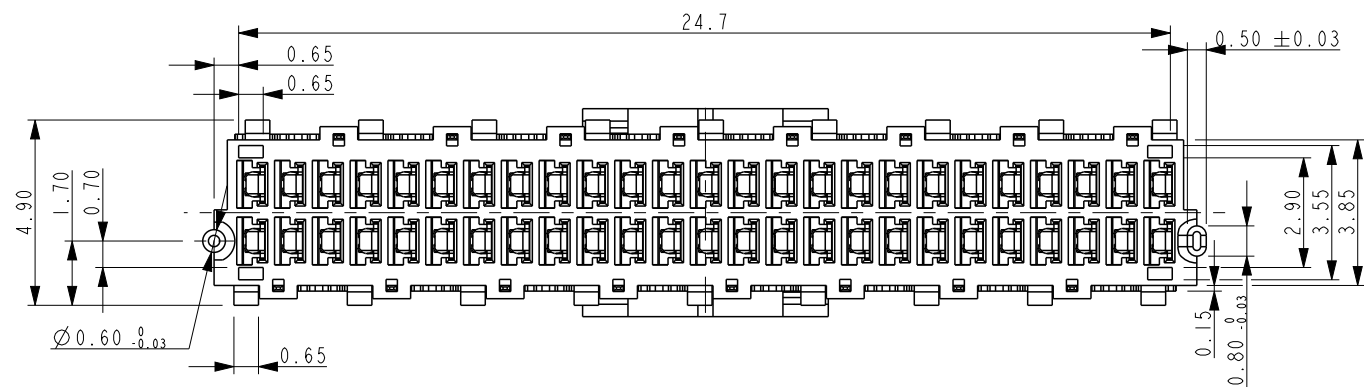
0.18 ° - 0.05 / 3



F (20:1)

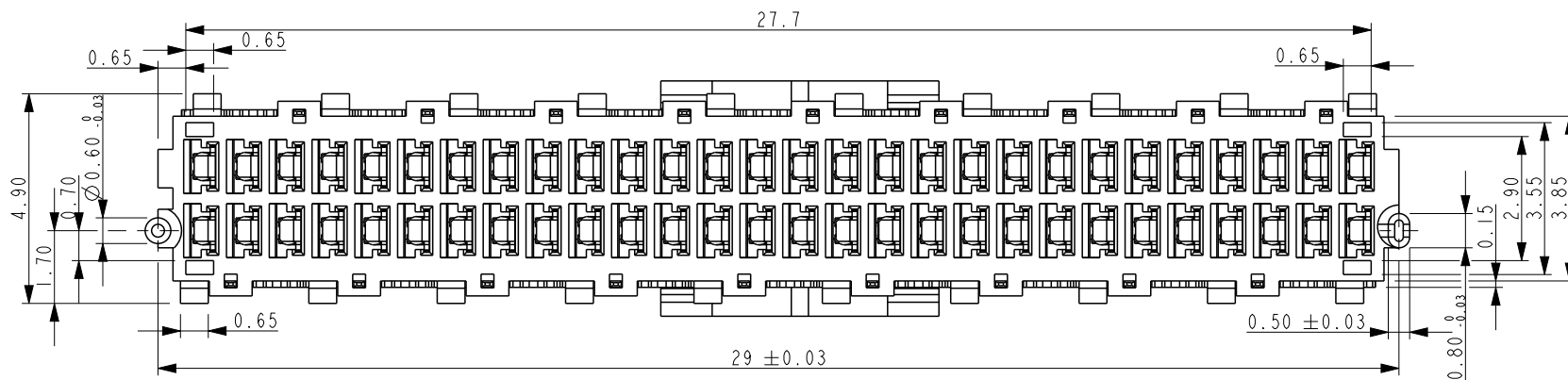
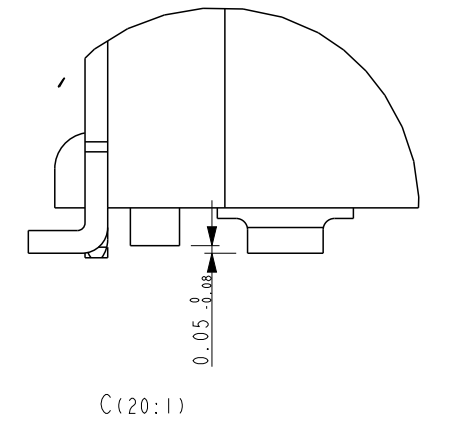
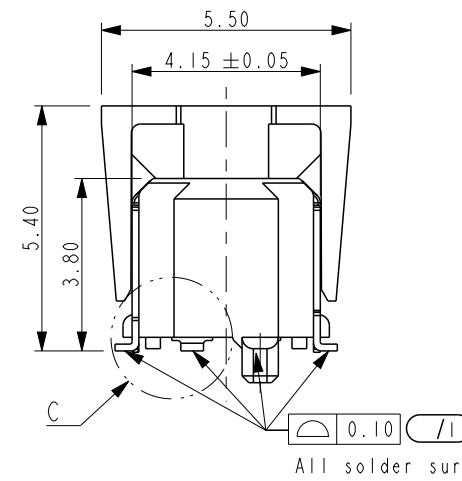
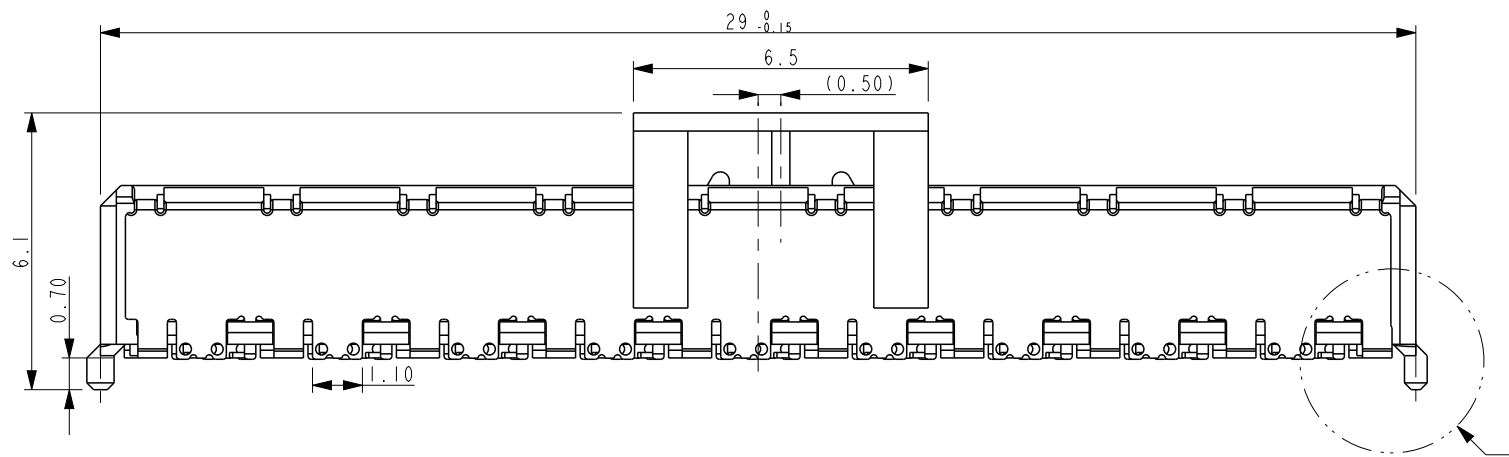
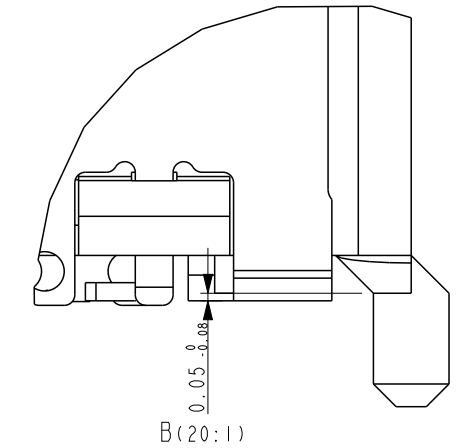
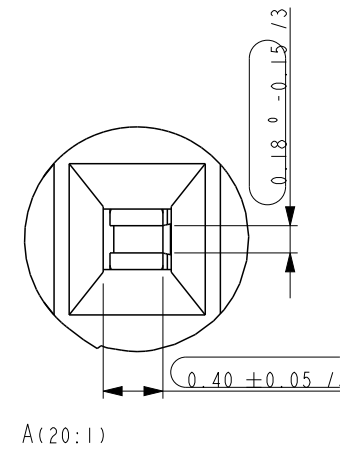
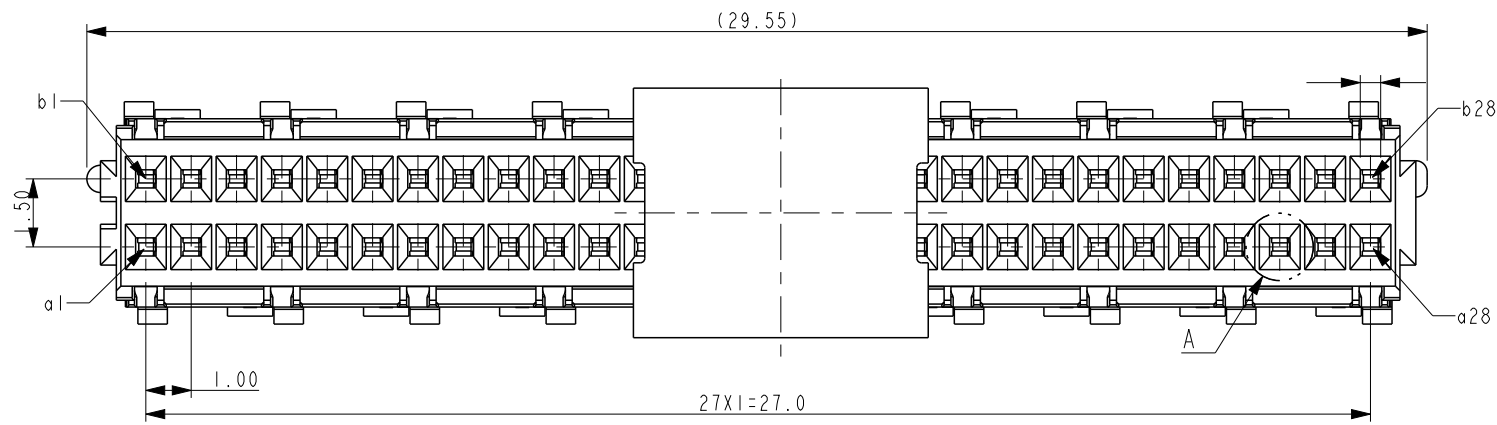
Standoff base on housing

All solder surfaces



spec ref	*	dr	Li-Qing Lei	2017/12/18	projection	mm	size	A3	scale	5:1
tolerance std	TOLERANCES UNLESS OTHERWISE SPECIFIED	eng	Li-Qing Lei	2024/05/07			ecn no	ELX-N-51421-1		
surface	linear	chr	-	-			rel level	Released		
ASME Y14.5	angular	appr	Tim Yao	2024/05/13	product family		rel level	Released		
	0.X	Amphenol FCI Female 4mm SMD Microspeed Vertical Series cat. no.		title Female 4mm SMD Microspeed Vertical Series cat. no.	dwg no 10146152	rev B	Product - Customer Drw			
	0.XX						sheet 5 of 10			
	0.XXX									
	0°	amphenol-icc.com					PDS: Rev :B			
	±0.20						STATUS:Released			
	±0.10						Printed: May 13, 2024			
	±0.05									

PRODUCT NO.
10146152-5600RLF



spec ref	*	dr	Li-Qing Lei	2017/12/18	projection	mm	size	A3	scale	6:1	
tolerance std	TOLERANCES UNLESS OTHERWISE SPECIFIED	eng	Li-Qing Lei	2024/05/07			ecn no	ELX-N-51421-1			
surface	linear	chr	-	-			rel level	Released			
ASME Y14.5	angular	appr	Tim Yao	2024/05/13	product family	Female 4mm SMD	dwg no	10146152		rev	B
						Microspeed Vertical Series		Product - Customer Drw		sheet 6 of 10	

A

B

C

D

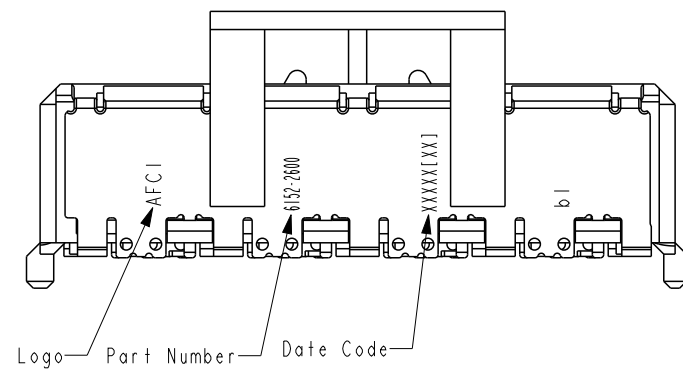
A

B

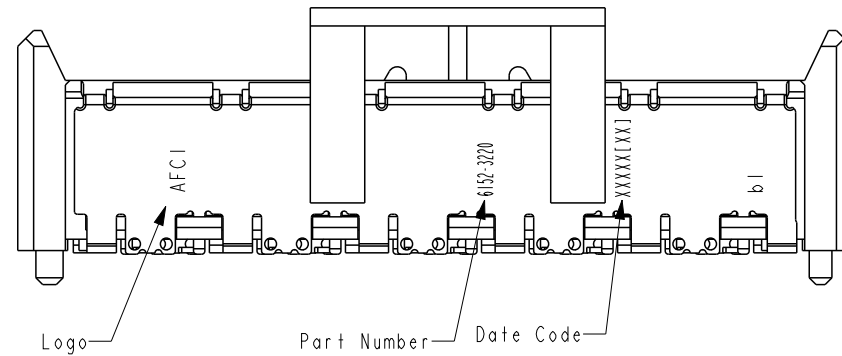
C

D

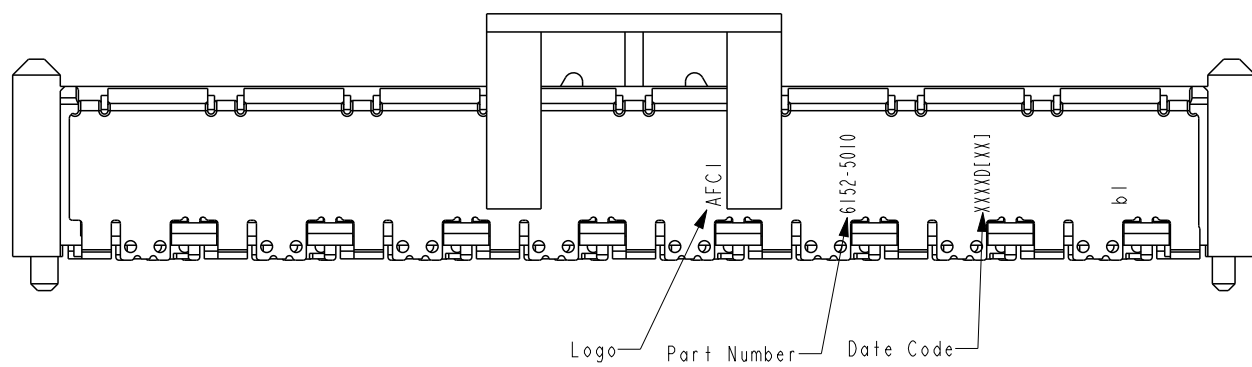
10146152-2600RLF



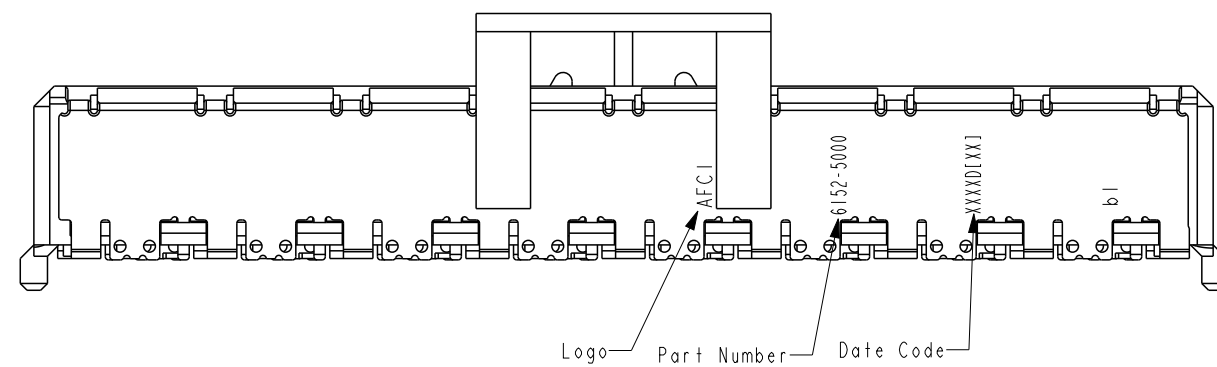
10146152-3220RLF



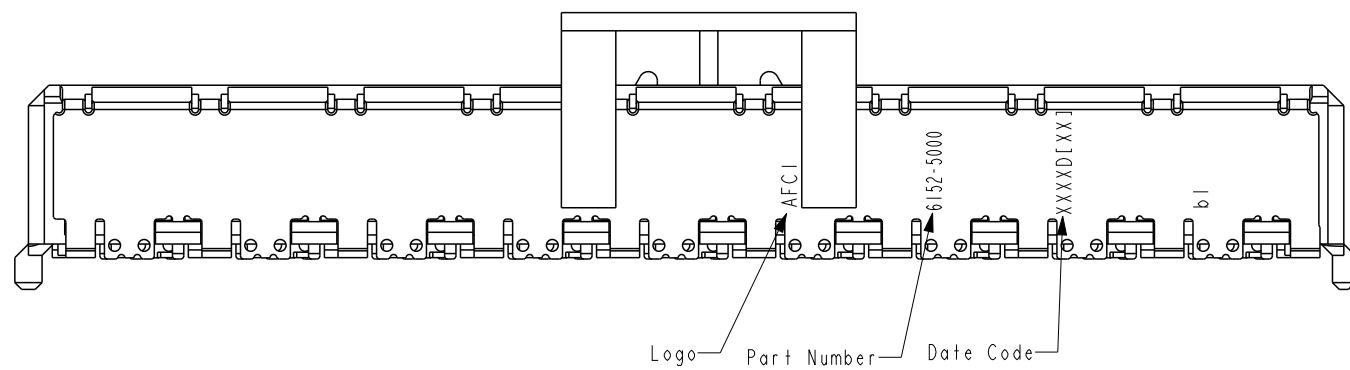
10146152-5010RLF



10146152-5000RLF



10146152-5600RLF



Date Code

XXXXXX[XX]

Capital letter for the year
 E: 2022
 F: 2023
 G: 2024
 H: 2025



Z: 2043

Number of days

E.g, 314 is in the 314th day of the year:

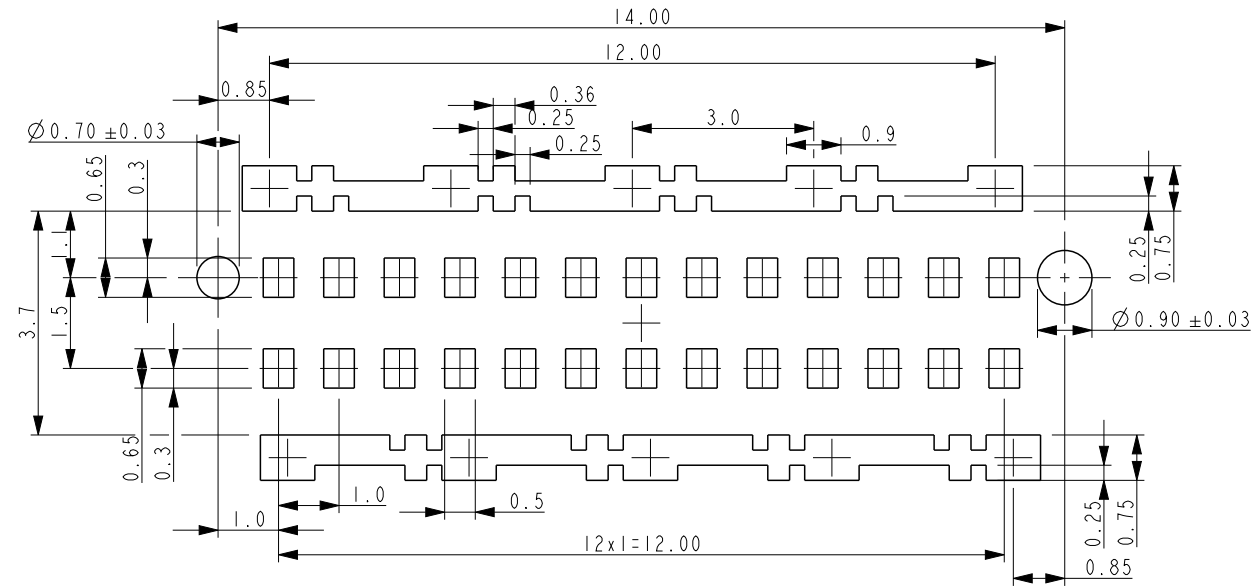
Production hour
 Production place
 D= NT China
 E= BSN France

Amphenol FCI

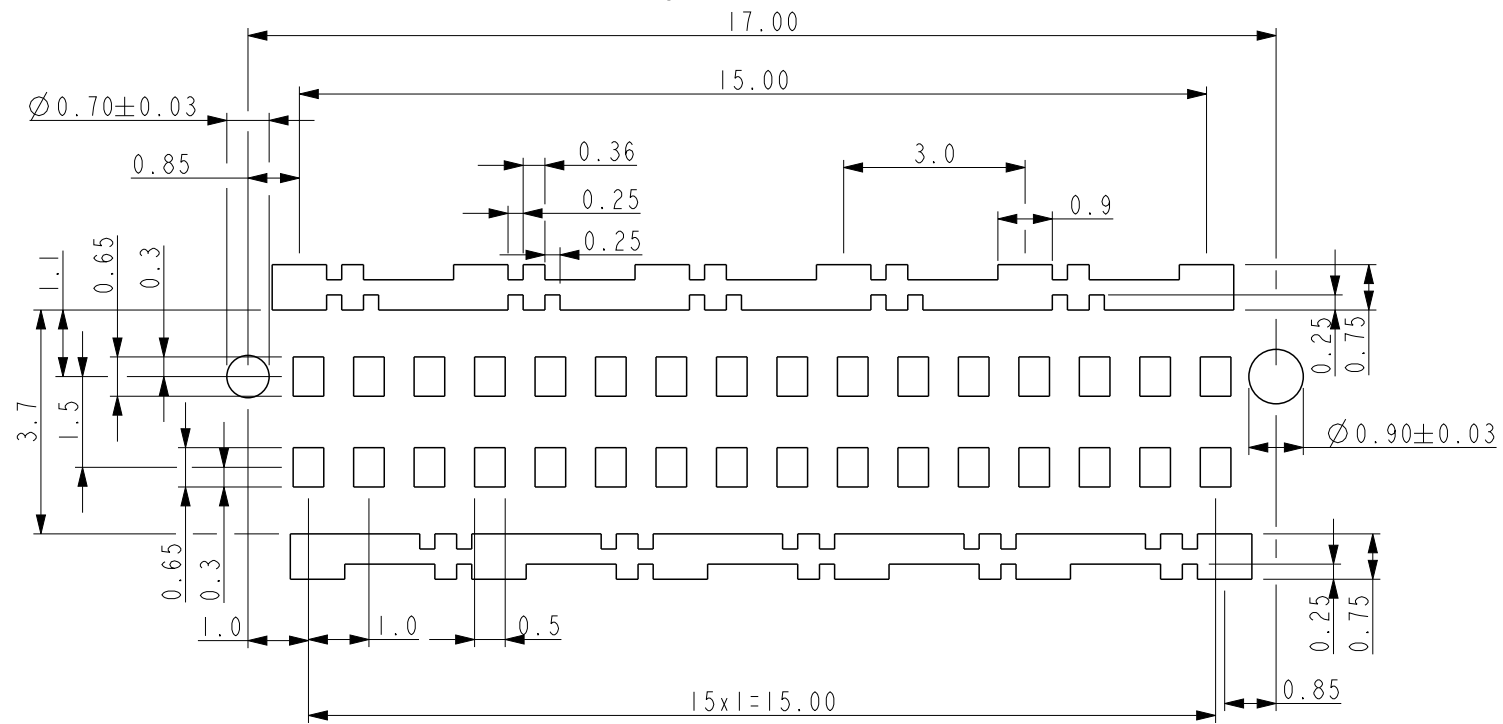
© 2020 Amphenol Corporation

spec ref	*	dr	Li-Qing Lei	2017/12/18	projection	mm	size	A3	scale	6:1										
tolerance std	TOLERANCES UNLESS OTHERWISE SPECIFIED	eng	Li-Qing Lei	2024/05/07			ecn no	ELX-N-51421-1												
surface	<table border="1"> <tr> <td>linear</td> <td>0.X</td> <td>±0.20</td> </tr> <tr> <td></td> <td>0.XX</td> <td>±0.10</td> </tr> <tr> <td></td> <td>0.XXX</td> <td>±0.05</td> </tr> <tr> <td>ASME Y14.5</td> <td>angular</td> <td>0°</td> <td>±2°</td> </tr> </table>	linear	0.X	±0.20				0.XX	±0.10		0.XXX	±0.05	ASME Y14.5	angular	0°	±2°	chr	-	product family	Released
linear	0.X	±0.20																		
	0.XX	±0.10																		
	0.XXX	±0.05																		
ASME Y14.5	angular	0°	±2°																	
		appr	Tim Yao	2024/05/13	Amphenol FCI Female 4mm SMD Microspeed Vertical Series		rel level	Released												
		amphenol-icc.com		cat. no.	Product - Customer Drw		dwg no	10146152		rev	B									
						sheet 7 of 10														

10146152-2600RLF
PCB Layout Proposal

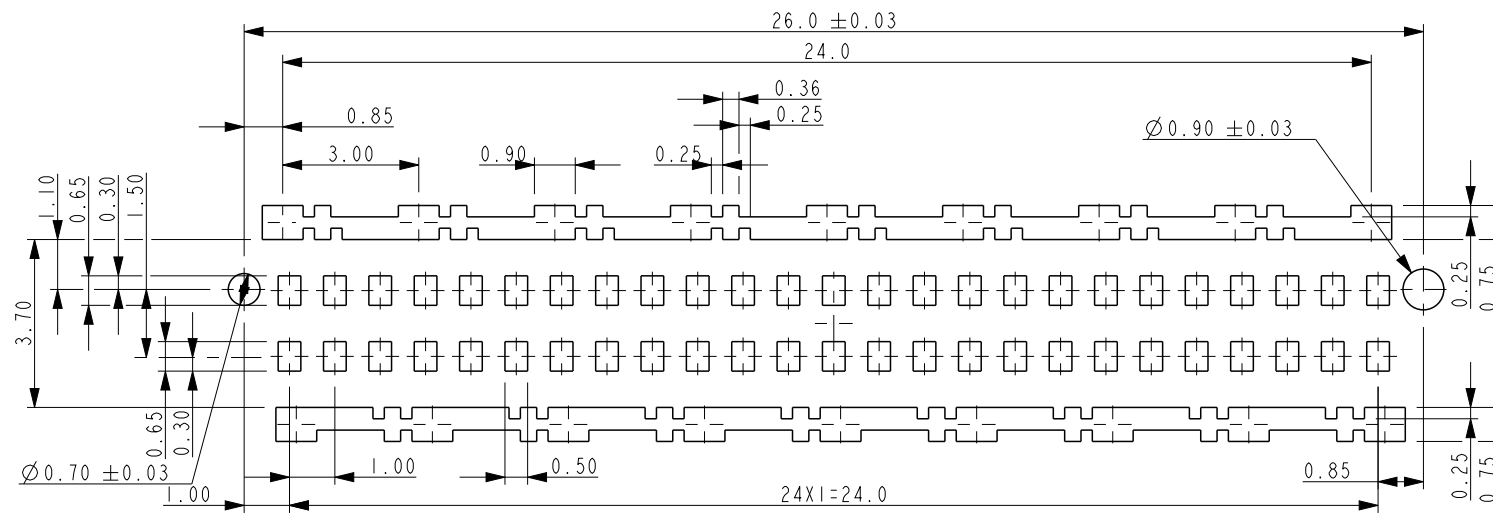


10146152-3220RLF
PCB Layout Proposal

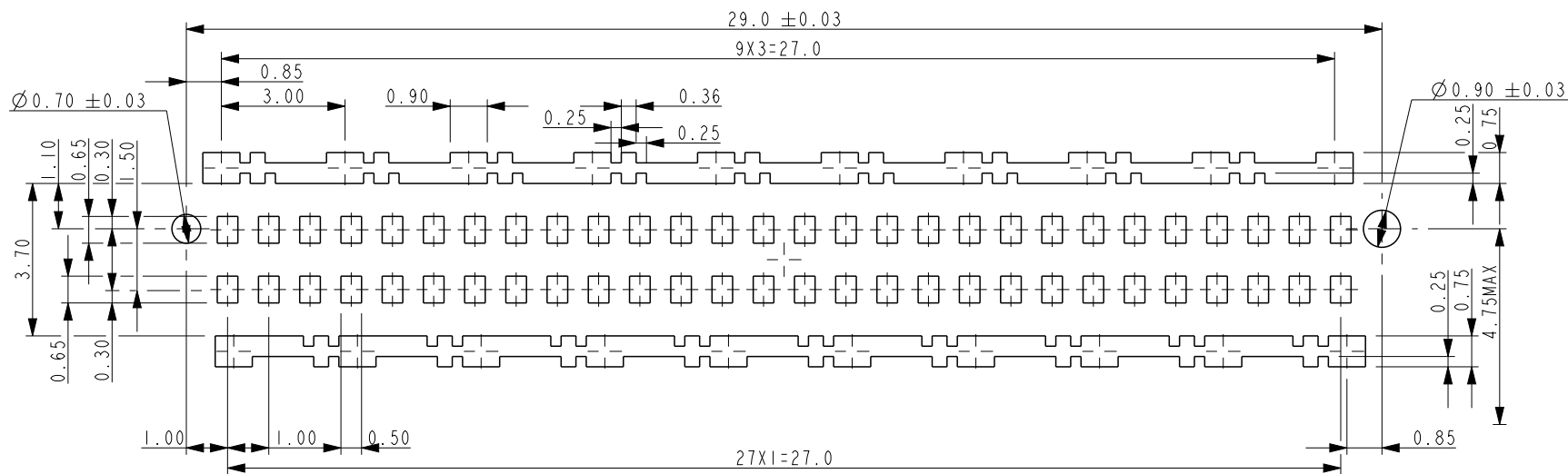


spec ref	*	dr	Li-Qing Lei	2017/12/18	projection	mm	size	A3	scale	8:1											
tolerance std	TOLERANCES UNLESS OTHERWISE SPECIFIED	eng	Li-Qing Lei	2024/05/07			ecn no	ELX-N-51421-1													
surface	<table border="1"> <tr> <td>linear</td> <td>0.X</td> <td>±0.20</td> </tr> <tr> <td></td> <td>0.XX</td> <td>±0.10</td> </tr> <tr> <td></td> <td>0.XXX</td> <td>±0.05</td> </tr> <tr> <td>ASME Y14.5</td> <td>angular</td> <td>0°</td> <td>±2°</td> </tr> </table>	linear	0.X	±0.20				0.XX	±0.10		0.XXX	±0.05	ASME Y14.5	angular	0°	±2°	chr	-	product family	rel level	Released
linear	0.X	±0.20																			
	0.XX	±0.10																			
	0.XXX	±0.05																			
ASME Y14.5	angular	0°	±2°																		
		appr	Tim Yao	2024/05/13	Amphenol FCI Female 4mm SMD Microspeed Vertical Series		dwg no	10146152			rev	B									
		amphenol-icc.com	cat. no.	Product - Customer Drw		sheet 8 of 10															

10146152-5010RLF
10146152-5000RLF
PCB Layout Proposal

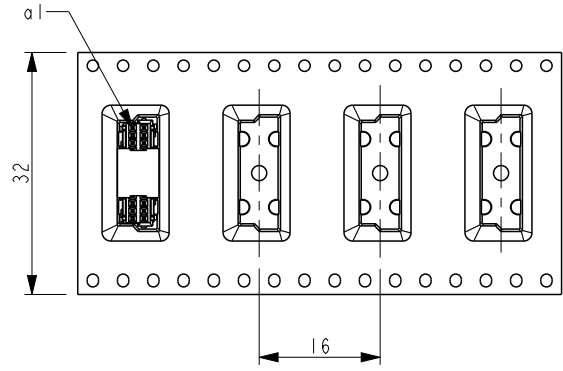


10146152-5600RLF
PCB Layout Proposal

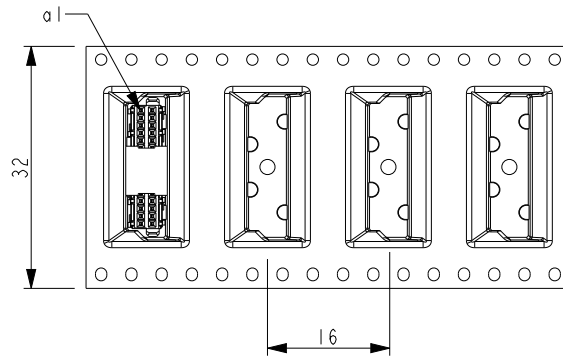


spec ref	*	dr	Li-Qing Lei	2017/12/18	projection	mm	size	A3	scale	1:1											
tolerance std	TOLERANCES UNLESS OTHERWISE SPECIFIED	eng	Li-Qing Lei	2024/05/07			ecn no	ELX-N-51421-1													
surface	<table border="1"> <tr> <td>linear</td> <td>0.X</td> <td>±0.20</td> </tr> <tr> <td></td> <td>0.XX</td> <td>±0.10</td> </tr> <tr> <td></td> <td>0.XXX</td> <td>±0.05</td> </tr> <tr> <td>ASME Y14.5</td> <td>angular</td> <td>0°</td> <td>±2°</td> </tr> </table>	linear	0.X	±0.20				0.XX	±0.10		0.XXX	±0.05	ASME Y14.5	angular	0°	±2°	chr	-	product family	rel level	Released
linear	0.X	±0.20																			
	0.XX	±0.10																			
	0.XXX	±0.05																			
ASME Y14.5	angular	0°	±2°																		
		appr	Tim Yao	2024/05/13	Amphenol FCI Female 4mm SMD Microspeed Vertical Series		dwg no	10146152		rev	B										
		amphenol-icc.com		cat. no.	Product - Customer Drw			sheet 9 of 10													

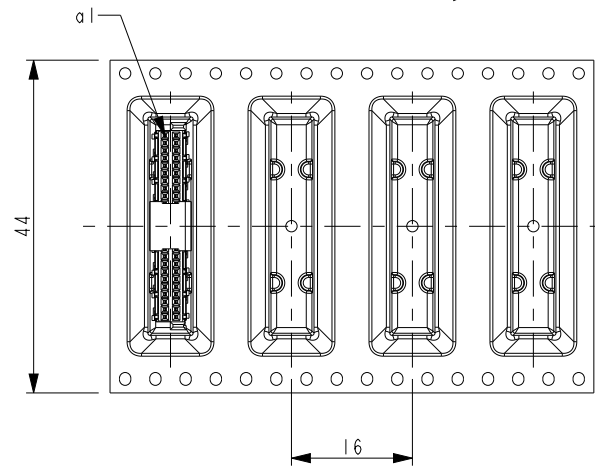
10146152-2600RLF
Reel off direction



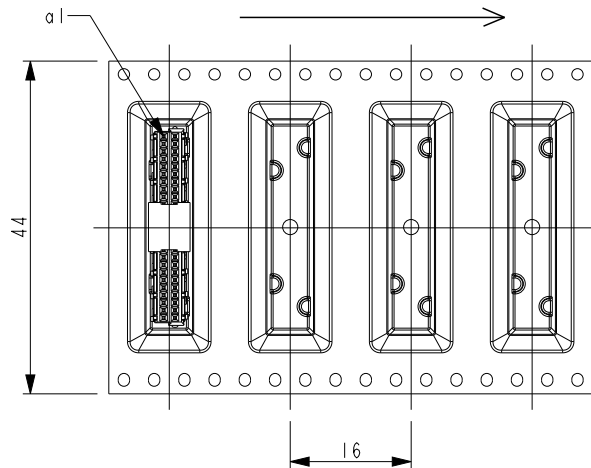
10146152-3220RLF
Reel off direction



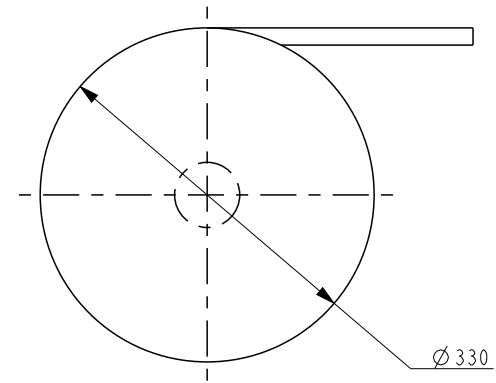
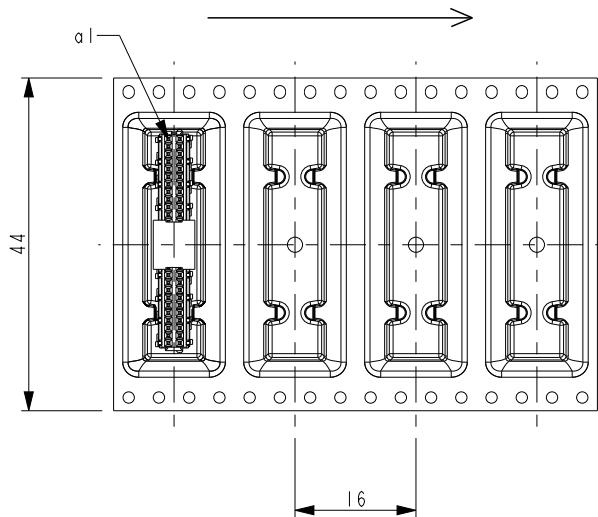
10146152-5010RLF
Reel off direction



10146152-5000RLF
Reel off direction



10146152-5600RLF
Reel off direction



Package Description:
1. External diameter of Reel: $\varnothing 330$
2. Leader/Trailer refer to table
3. Packageing unit: refer to table

P/N	Leader	Trailer	Qty/Reel
10146152-2600RLF	96mm	96mm	600pcs/Reel
10146152-3220RLF	96mm	96mm	550pcs/Reel
10146152-5010RLF	96mm	32mm	460pcs/Reel
10146152-5000RLF	400mm	160mm	400pcs/Reel
10146152-5600RLF	96mm	96mm	460pcs/Reel

spec ref	*	dr	Li-Qing Lei	2017/12/18	projection	mm	size	A3	scale	8:1	
tolerance std	TOLERANCES UNLESS OTHERWISE SPECIFIED	eng	Li-Qing Lei	2024/05/07			ecn no	ELX-N-51421-1			
surface	linear	chr	-	-			rel level	Released			
ASME Y14.5	angular	appr	Tim Yao	2024/05/13	product family		dwg no	10146152		rev	B

Amphenol FCI

amphenol-icc.com

Female 4mm SMD
Microspeed Vertical Series

cat. no.

Product - Customer Drw

sheet 10 of 10