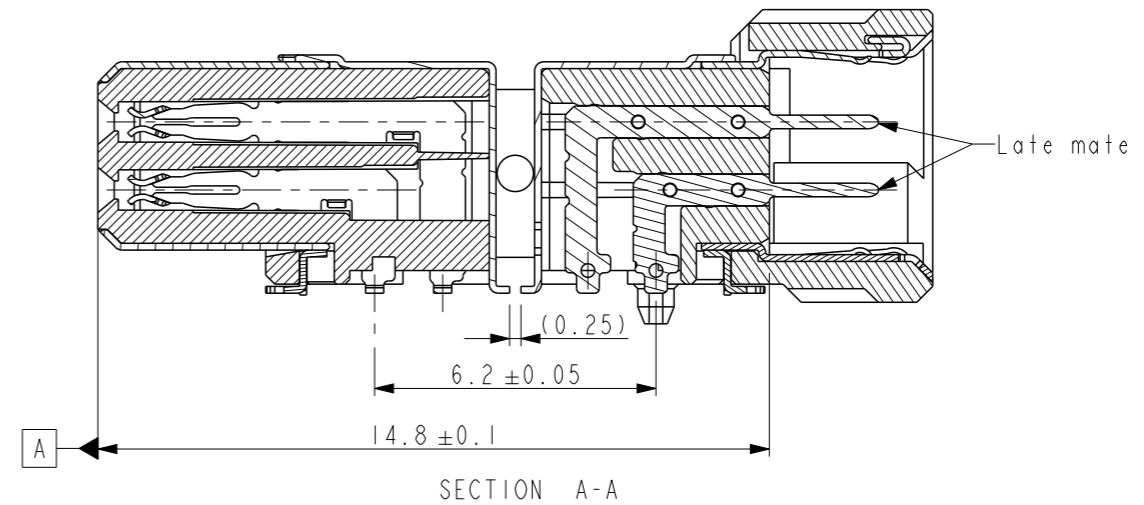
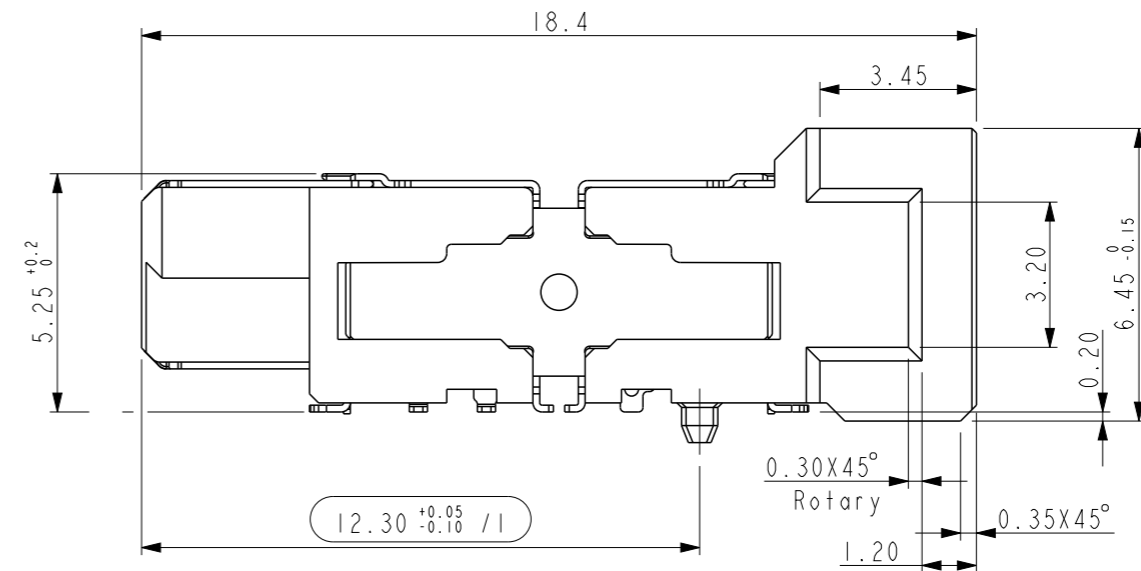
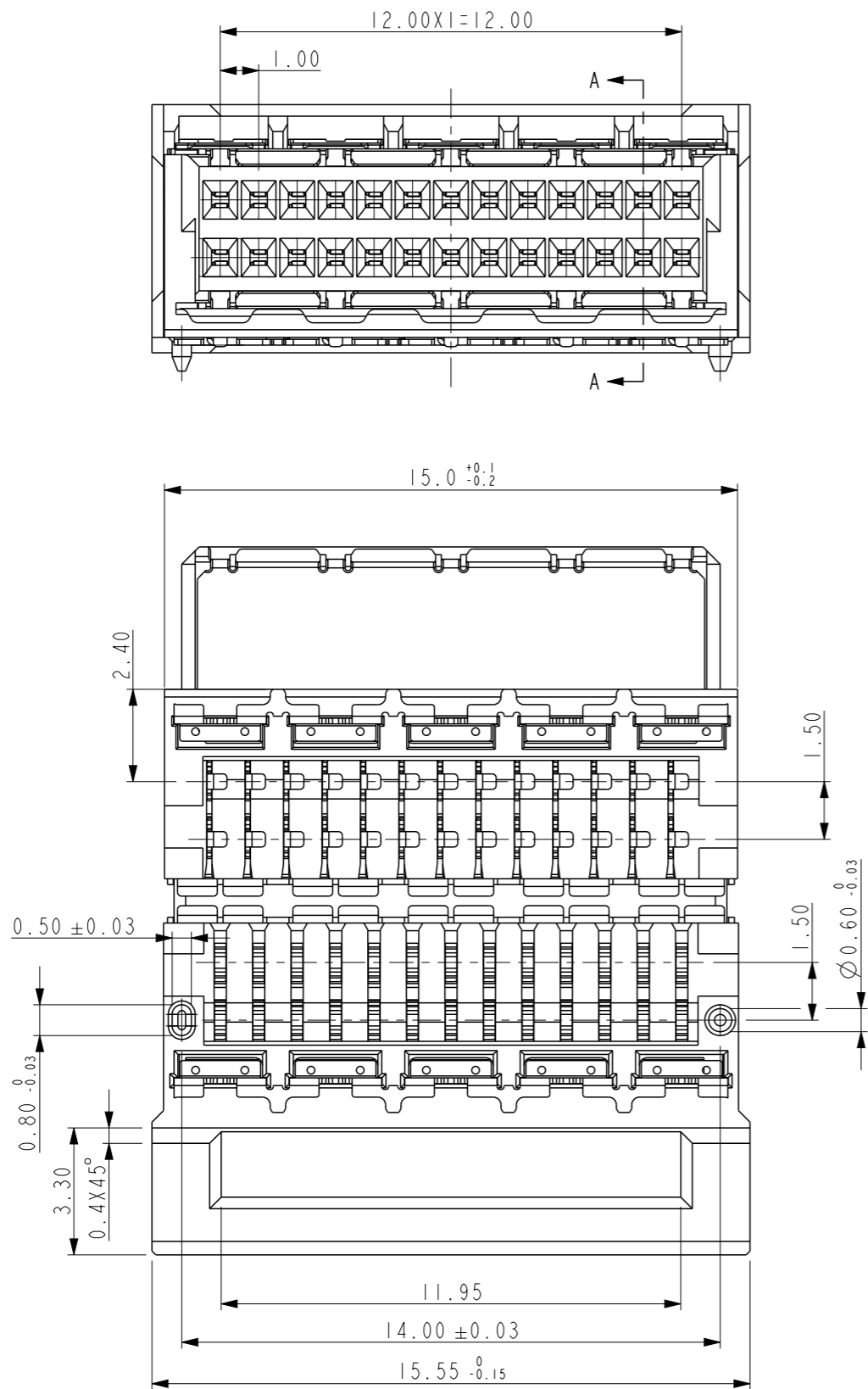


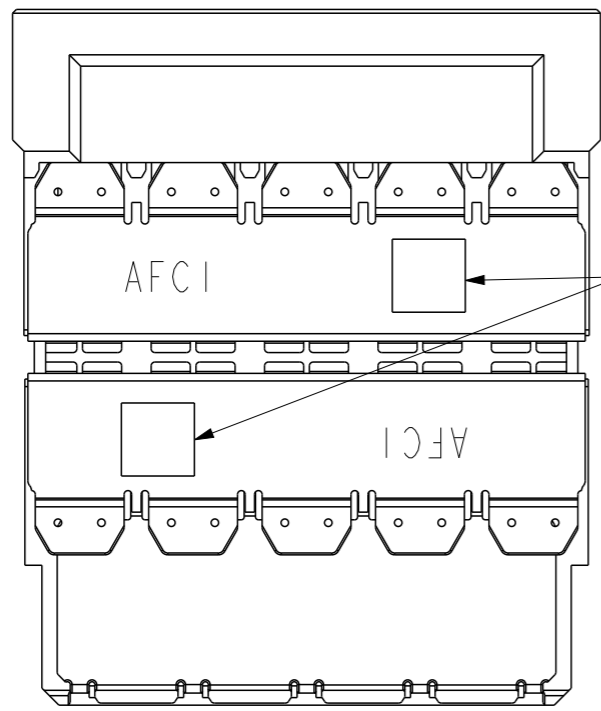
PRODUCT NO.  
10147075-2600RLF



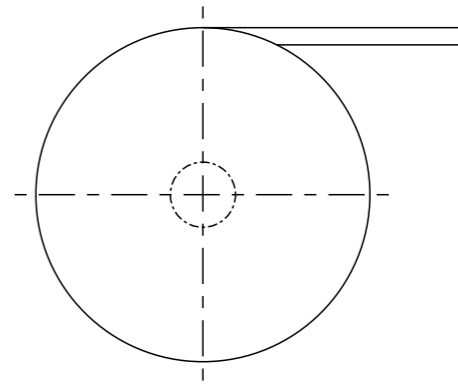
- NOTES:  
1. MATERIAL:  
1.1 HOUSING: LCP 30%GF, E1301 BLACK, TICONA  
2.2 TERMINAL AND SHIELD: CUSN6  
2. PLATING: 1-3μM NI UNDER PLATING, 2-4μM SN ON SOLDER AREA, 0.65 μM PDNI, 0.10μM AU ON MATING AREA.  
3. COPLANARITY AREA OF TERMINATION 0.10MM MAX ( /1)

- ( /1) INSPECTION LEVEL 1: CONTROL CHART REQUIRED  
PROOF OF PROCESS CAPABILITY OR 100% TEST IF PROCESS CAPABILITY IS NOT ACHIEVED  
( /2) INSPECTION LEVEL 2 AND 3: CONTROL CHART REQUIRED  
PROOF OF MEAN VALUE, STANDARD DEVIATION AND MACHINE CAPABILITY  
( /3) PROOF OF VALUES OR PROOF OF ATTRIBUTIVE TEST

spec ref	*	dr	Li-Qing Lei	2018/03/20	projection	mm	size	A3	scale	6:1	
tolerance std	TOLERANCES UNLESS OTHERWISE SPECIFIED	eng	Li-Qing Lei	2021/04/22			ecn no	ELX-N-40729-1			
surface	linear	chr	-	-			rel level	Released			
ASME Y14.5	angular	appr	Tim Yao	2021/04/22	product family		dwg no	10147075		rev	C
	0.X ±0.20	Amphenol FCI		Combo SMD 26 pos		cat. no.	Product - Customer Drw		sheet 1 of 2		
	0.XX ±0.10			Microspeed RA Series							
	0.XXX ±0.05										
	0° ±2°										

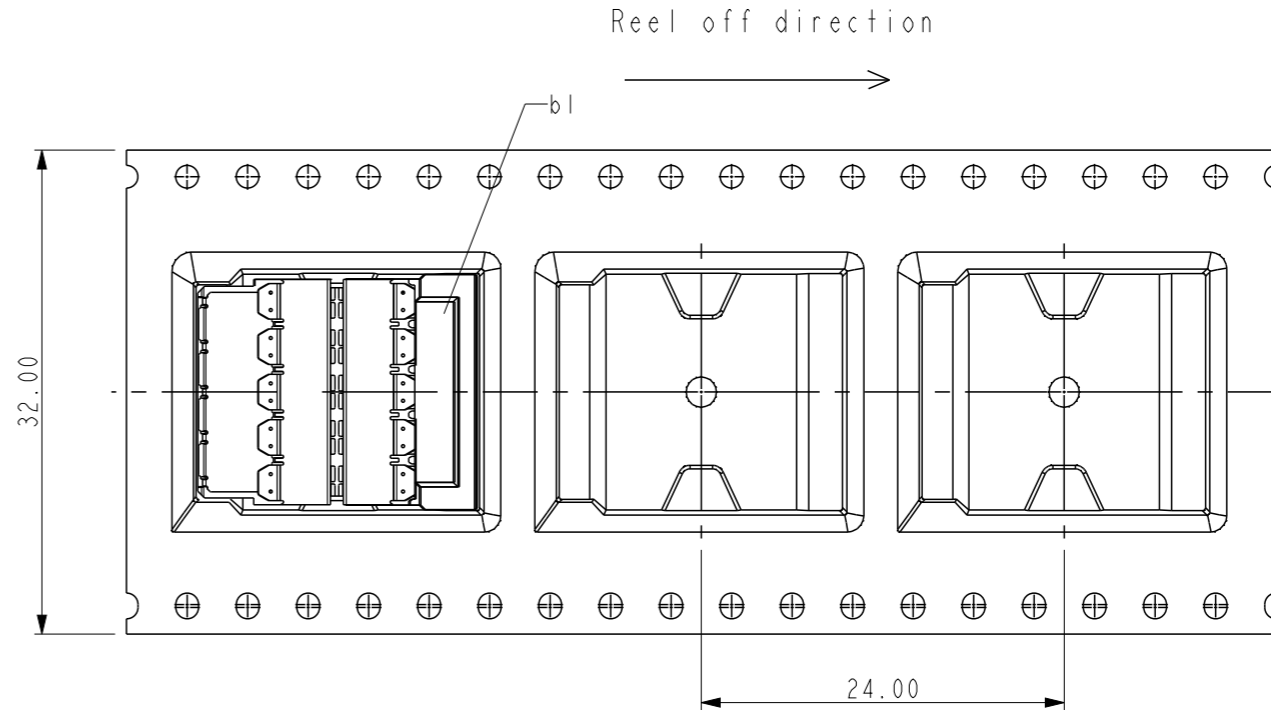
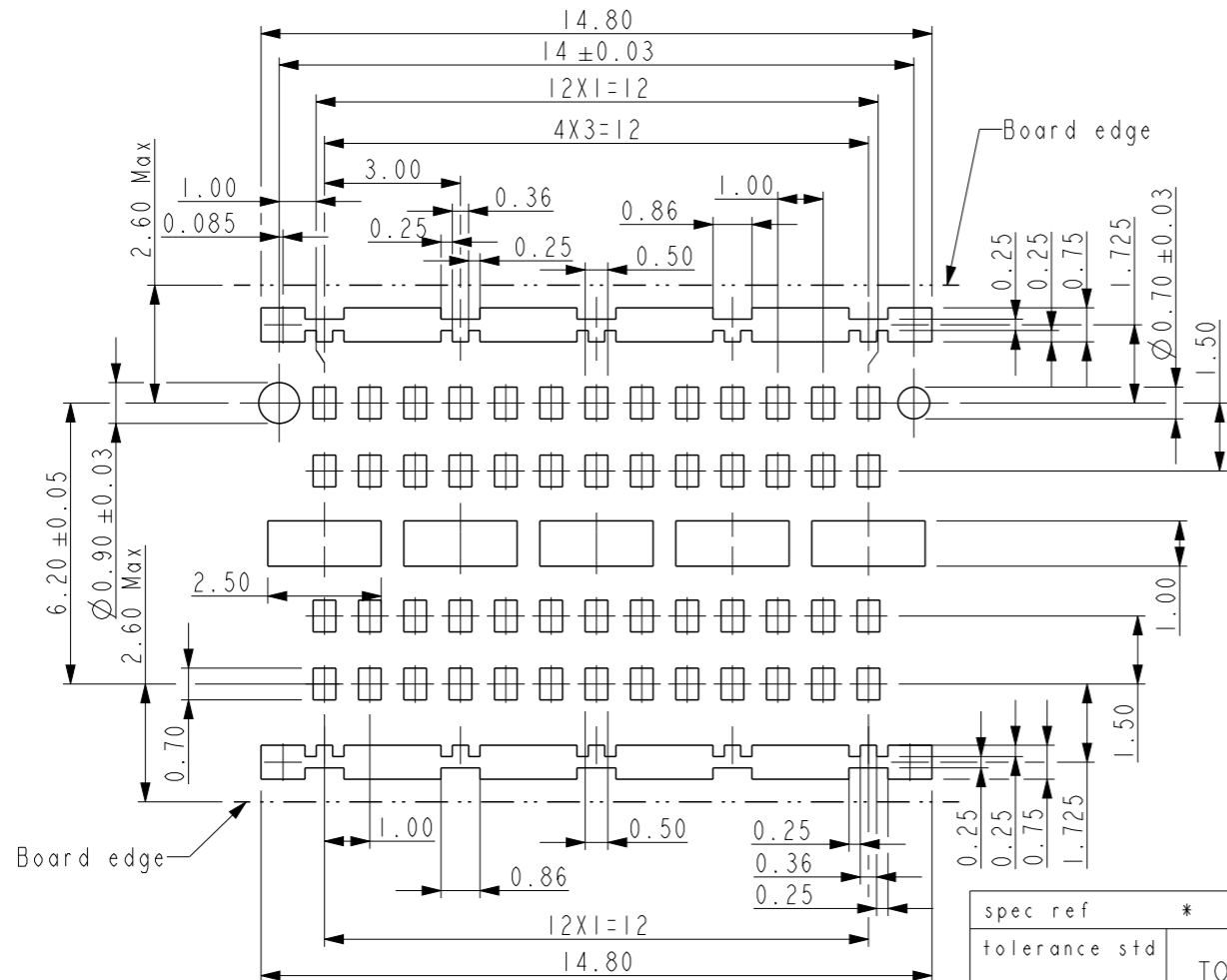


Printing With Data Matrix Code



Package Description:  
 1. External diameter of Reel:  $\varnothing 330$   
 2. Leader 96mm/ Trailer 48mm  
 3. Packageing unit: 390pcs/Reel

PCB Layout Proposal



spec ref	*	dr	Li-Qing Lei	2018/03/20	projection	mm	size	A3	scale	6:1
tolerance std	TOLERANCES UNLESS OTHERWISE SPECIFIED	eng	Li-Qing Lei	2021/04/22			ecn no	ELX-N-40729-1		
surface	linear	chr	-	rel level			Released			
ASME Y14.5	angular	appr	Tim Yao	2021/04/22	product family		rel level	Released		
	0.X ±0.20	<b>Amphenol FCI</b>			title Combo SMD 26 pos Microspeed RA Series	dwg no 10147075	rev C			
	0.XX ±0.10									
	0.XXX ±0.05									
		cat. no.			Product - Customer Drw			sheet 2 of 2		

Creo File:ELX-WC-A3C\_REV F\_2020-12-21