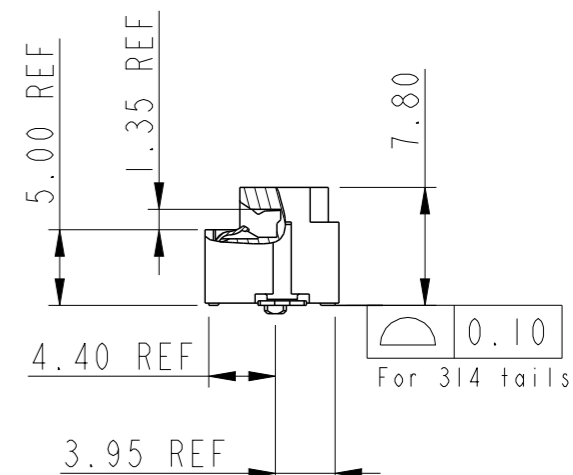
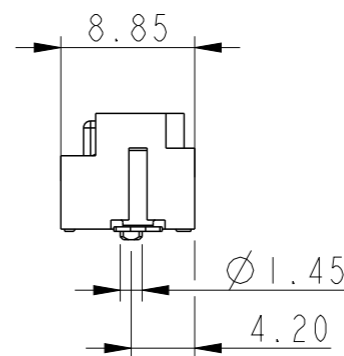
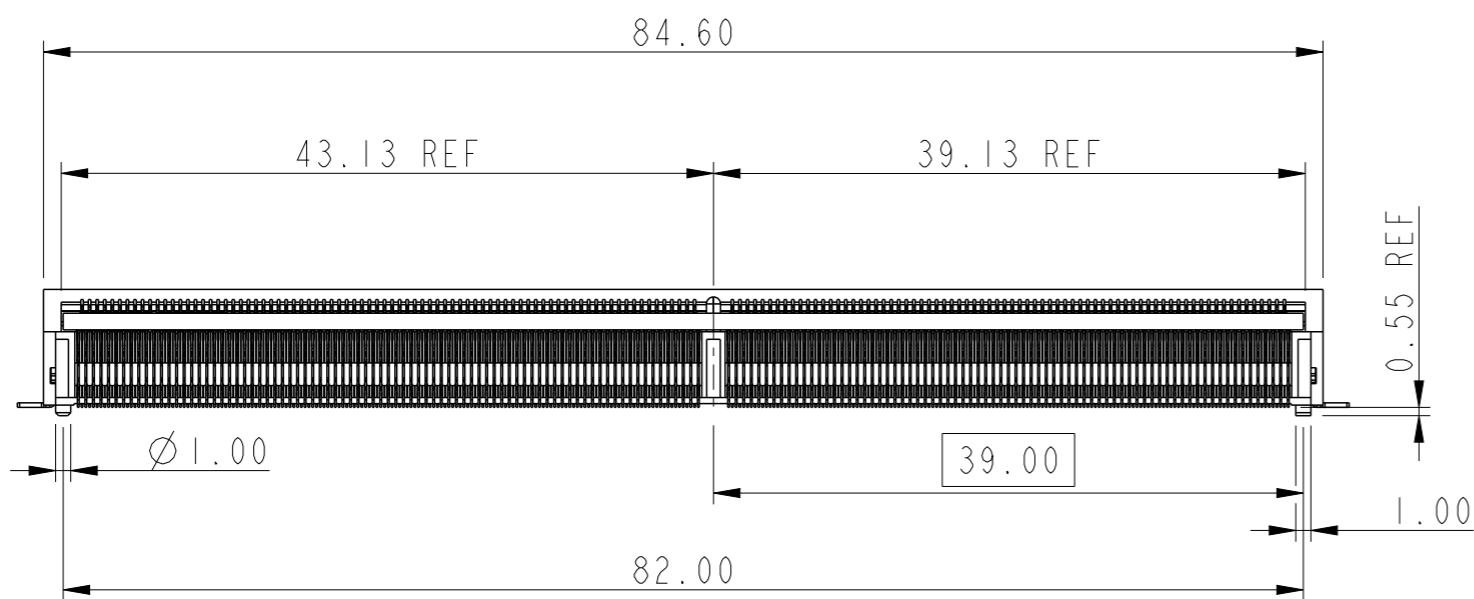
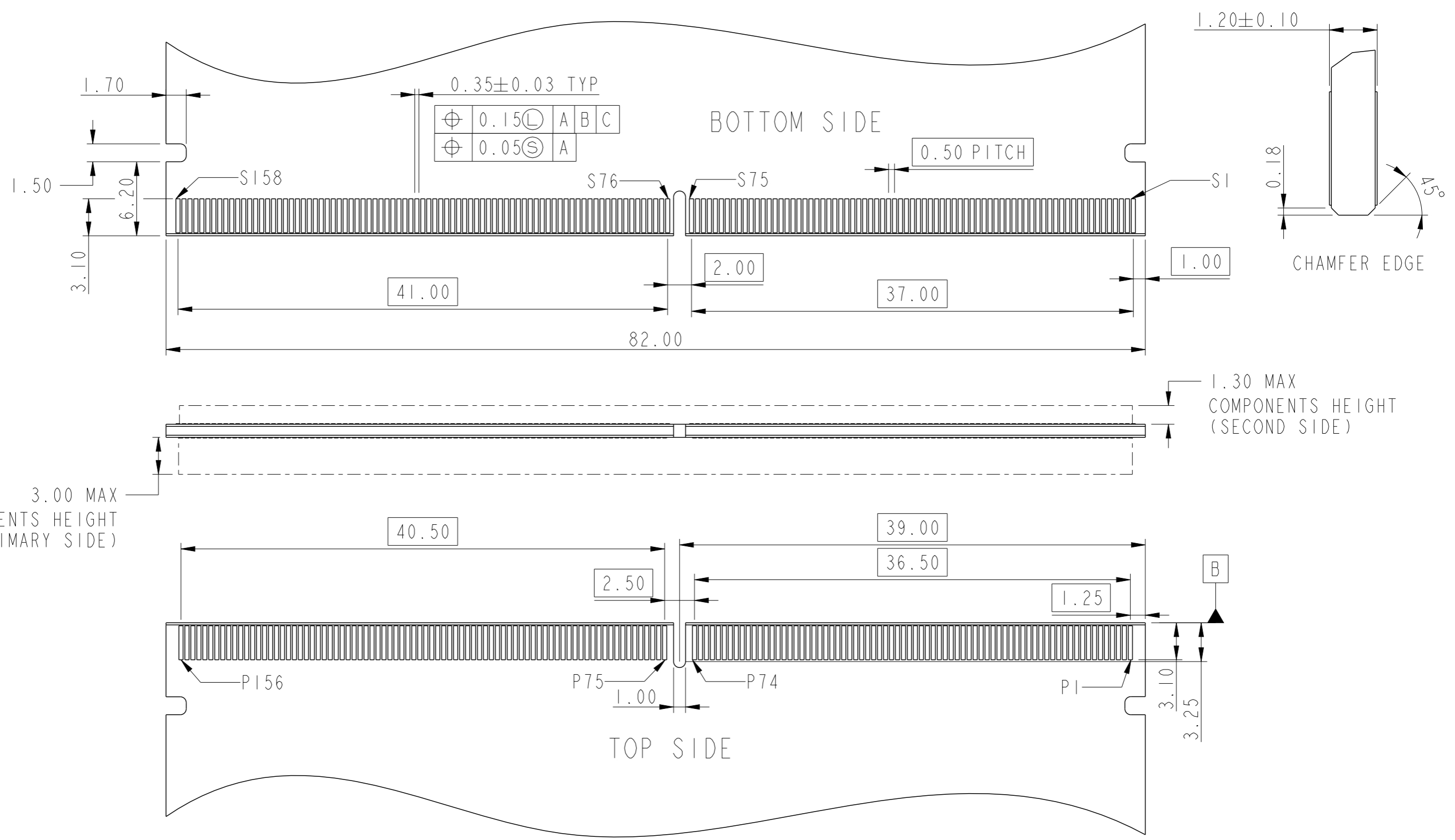


RECOMMENDED CARD INSERTION:
 1: INSERT CARD WITH 30° ANGLE
 2: ROTATE CARD TO HORIZONTAL
 3: WITHDRAW CARD WITH 25° ANGLE



spec ref	-	dr	Zhen-Hua Liu	2020/10/16	projection	mm	size	A3	scale	1:1	
tolerance std	ISO 406 ISO 1101	eng	Huang, Xi-Chen	2023/08/28			ecn no	ELX-DG-49073-1			
TOLERANCES UNLESS OTHERWISE SPECIFIED		chr	-	-			rel level	Released			
surface	linear	0.X	±0.3	Amphenol FCI	product family		-	-		rev	C
		0.XX	±0.20		MXM 3.0 Connector		dwg no	10151114			
	angular	0°	±2°		RA SMT		cat. no.	-	Product - Customer Drw	sheet 1 of 6	



RECOMMENDED SMARC MODULE CARD LAYOUT

CROSS THE PAD

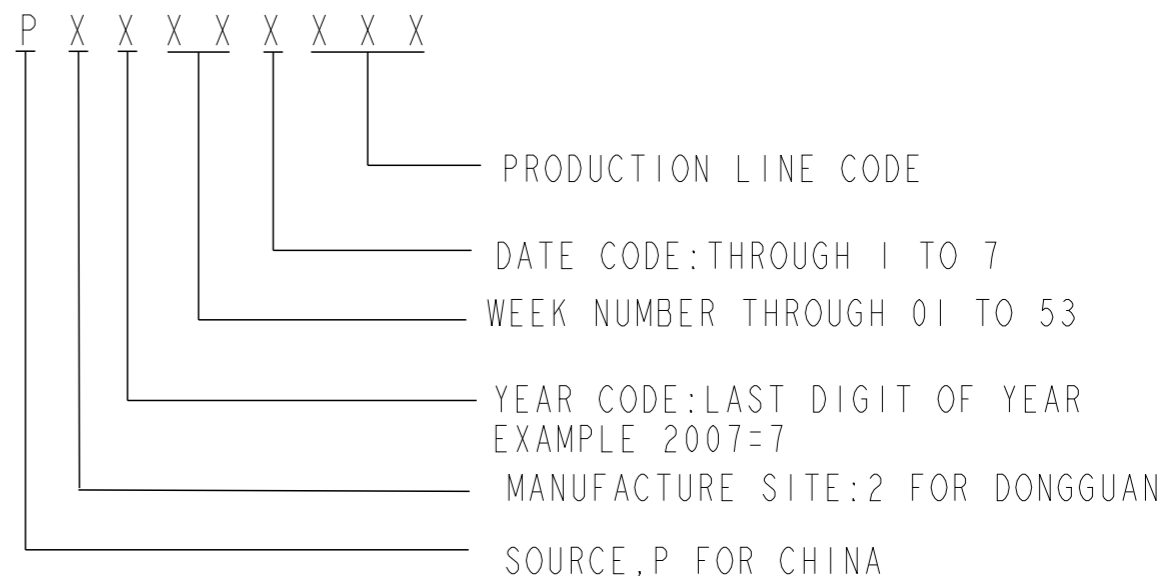
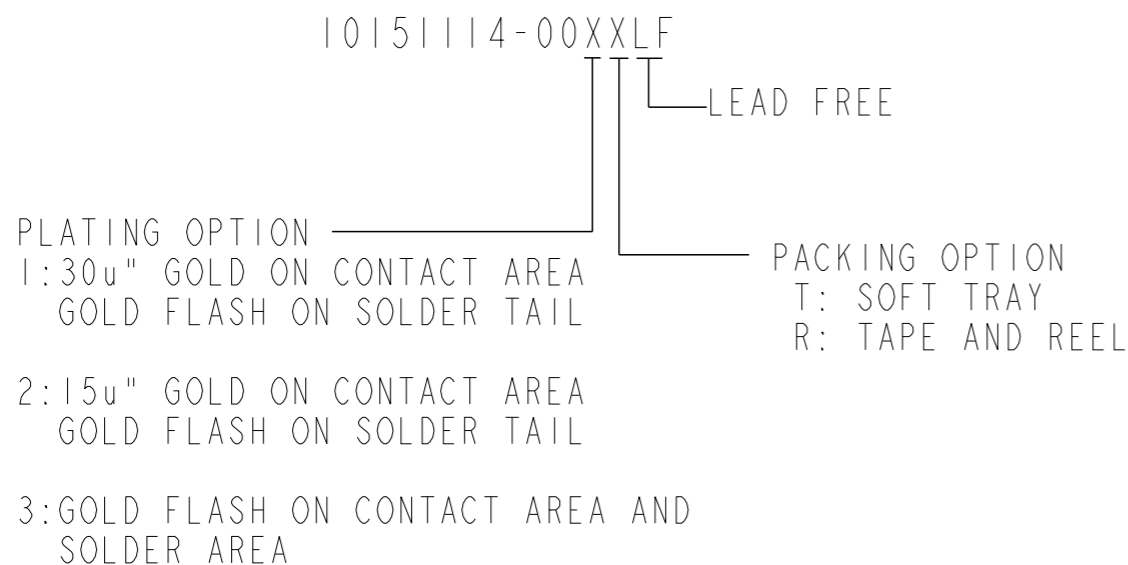
spec ref	-	dr	Zhen-Hua Liu	2020/10/16	projection	mm	size	A3	scale	1:1
tolerance std	ISO 406 ISO 1101	TOLERANCES UNLESS OTHERWISE SPECIFIED			eng	Huang, Xi-Chen	2023/08/28	ecn no	ELX-DG-49073-1	
surface	ISO 1302	linear	0.X	±0.3	chr	-	-	rel level	Released	
		angular	0°	±2°	appr	Heaven Cen	2023/08/29	product family	-	
			0.XX	±0.20	Amphenol FCI			dwg no	10151114	rev
			0.XXX	±0.10	MXM 3.0 Connector					C
			RA SMT		cat. no.	-	Product - Customer Drw	sheet 5 of 6		

NOTES:

1. MATERIAL:
HOUSING: HIGH TEMPERATURE RESIN, HF, BLACK UL 94V-0
TERMINAL: COPPER ALLOY
HOLD DWON: COPPER ALLOY
2. PRODUCT SPEC: GS-12-1531
3. FINISH:
NICKLE UNDERPLATING
CONTACT AREA: Au PLATING or GXT PLATING
SOLDER TAIL: GOLD FLASH PLATING
- 4, THE HOUSING WILL WITHSTAND EXPOSURE TO 260 °C PEAK TEMPERATURE FOR 10 SECONDS IN A CONVECTION, INFRA-RED OR VAPOR PHASE REFLOW OVEN.
- 5, DATE CODE(SSYYWWD) TO BE LASER MARKED ON THIS SURFACE TEXT TO BE AT LEAST 0.8MM TALL.
6. THE MXM CONNECTOR IS ALSO CAPABLE FOR SMARC MODULE APPLICATION , PLEASE REFER TO SMARC SPECIFICATION FOR PCB FOOTPRINT&LAYOUT

DATE CODE INFORMATION

PRODUCT NUMBER CODE



spec ref	-	dr	Zhen-Hua Liu	2020/10/16	projection		size	A3	scale	1:1	
tolerance std	ISO 406 ISO 1101	eng	Huang, Xi-Chen	2023/08/28	mm		ecn no	ELX-DG-49073-1			
	TOLERANCES UNLESS OTHERWISE SPECIFIED	chr	-	-	product family	-	rel level	Released			
surface	linear	appr	Heaven Cen	2023/08/29	Amphenol FCI	MXM 3.0 Connector	dwg no	10151114		rev	C
	angular				cat. no.	-	Product - Customer Drw	sheet 6 of 6			
	0.X ±0.3										
	0.XX ±0.20										
	0.XXX ±0.10										
	0° ±2°										