

PITCH 0.50

2

1.125

3

1.50

4

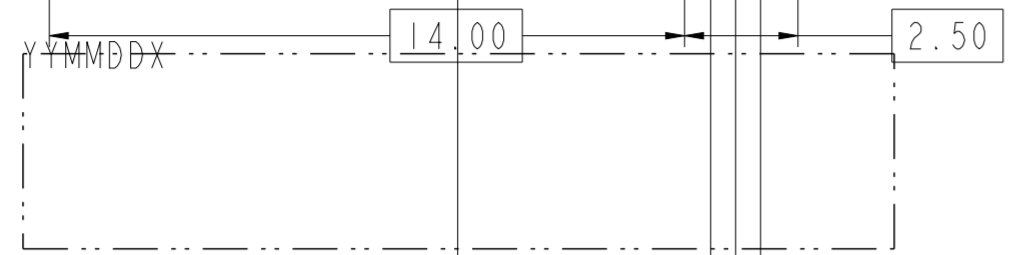
5

6

7

8

ZONE	REV	DESCRIPTION	DATE
NA	I	INITIAL RELEASE	2020/05/13



1.10 ±0.03

F

NOTE:

- MATERIAL:
PLASTIC: HIGH TEMP THERMOPLASTIC, UL 94V-0, BLACK
CONTACT: COPPER ALLOY
BOARD LOCK: COPPER ALLOY
- FINISHED:
2.1 CONTACT:
CONTACT AREA: GOLD PLATING
(THICKNESS SEE THE PN DESCRIPTION) ON CONTACT AREA
SOLDER AREA: GF, NI UNDER PLATED ALL OVER.
2.2 BOARD LOCK: TIN PLATING WITH NI ALL OVER.
- PRODUCT SPECIFICATION: GS-12-XXXX
- PACKAGE SPECIFICATION: GS-14-XXXX
- PRODUCT MARKING, (PART NUMBER & LOT CODE), ON THIS SURFACE
- LEAD FREE PRODUCT MEETS THE EUROPEAN UNION DIRECTIVES & OTHER COUNTRY REGULATIONS AS DESCRIBED IN GS-47-0004
- THE CONNECTOR WILL WITHSTAND EXPOSURE TO 260°C PEAK TEMPERATURE FOR 10-30 SECONDS IN CONVECTION, INFRARED, OR VAPOR PHASE REFLOW OVEN

ORDER P/N SYSTEM:
10157930-00XRLF

- LF: LEAD FREE
- R: TAPE & REEL PACKING
- PLATING CODE:
 - 0.76 MIN MICRONS GOLD PLATING
 - 0.38 MIN MICRONS GOLD PLATING
 - GOLD FLASH

Amphenol FCI

© 2020 Amphenol Corporation

(20.00)

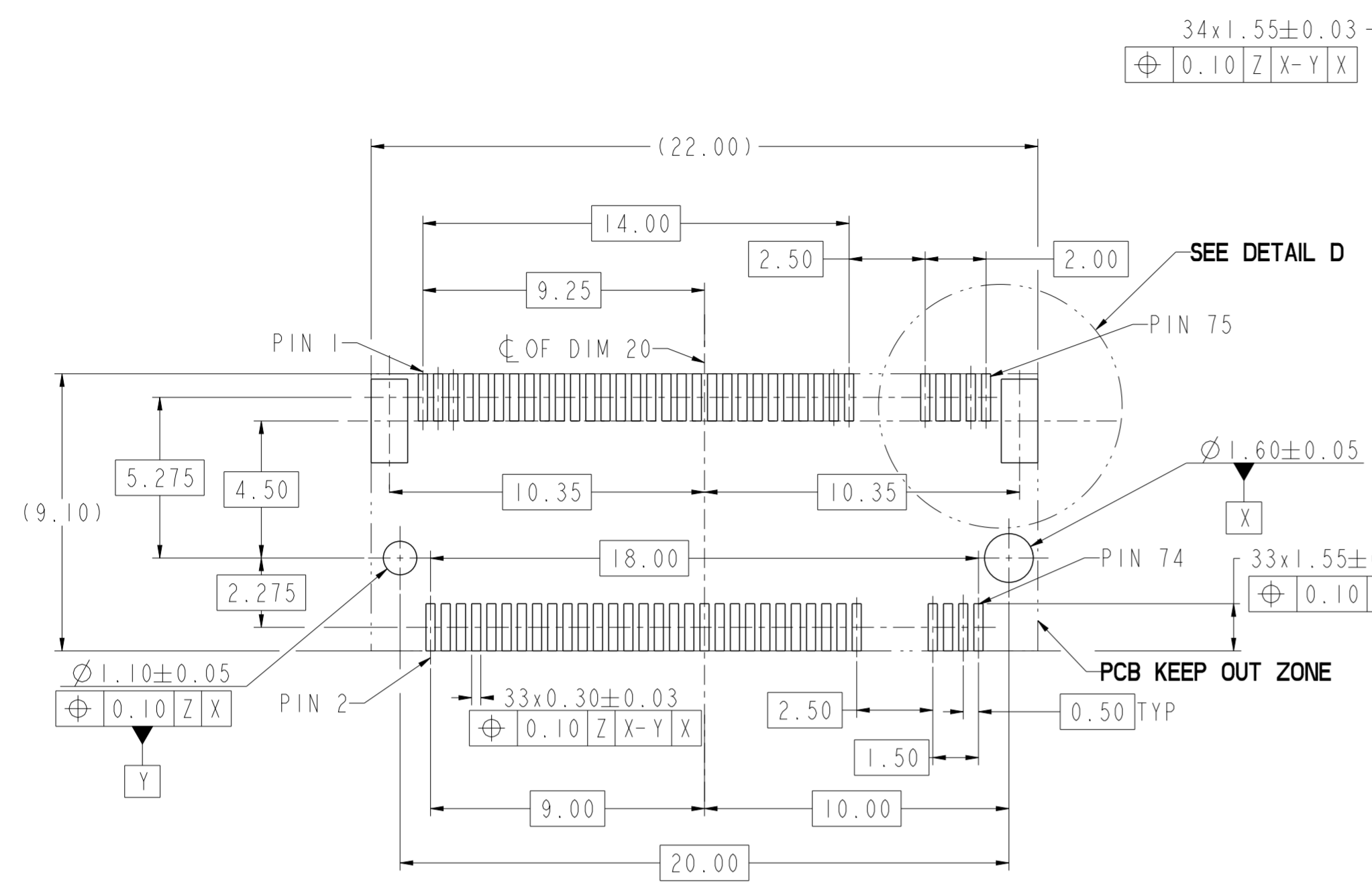
☉ OF CONNECTOR

☉ OF KEY

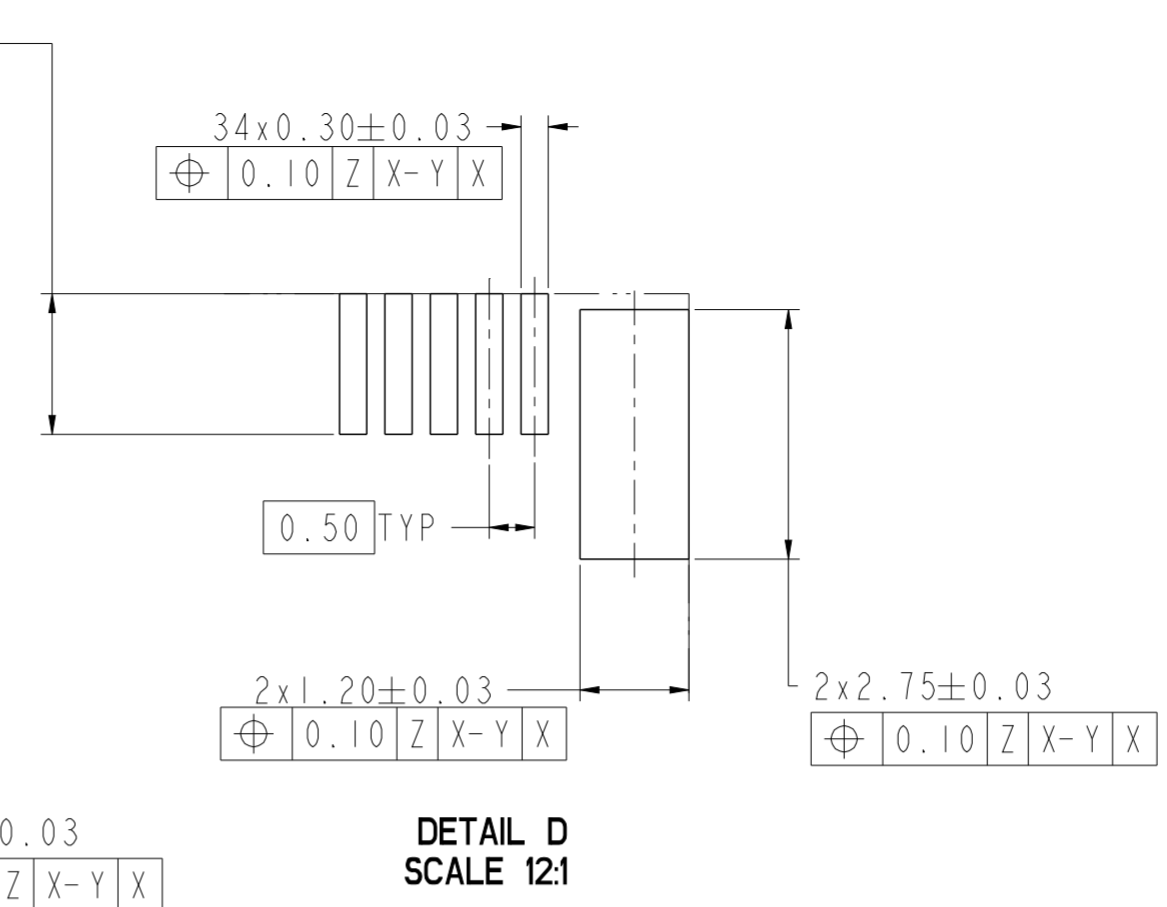
PRELIMINARY

tolerance std ASME Y 14.5	TOLERANCES UNLESS OTHERWISE SPECIFIED			dr Michael Song	2021/01/08	projection 	MM	size A2	scale 6:1
surface ASME Y 14.5	linear	0.X ±0.30	0.XX ±0.10	eng	2021/01/08	product family	rel level	ecn no	rel level
	angular	0° ±1°	0.XXX ±0.05	chr	-				
				appr	-				
				Amphenol FCI	title M.2 4.2H MINI PCIe CONECTOR	cat. no.	Product - Customer Drw	10157930	sheet 1 of 2
					M KEY			rev 1	

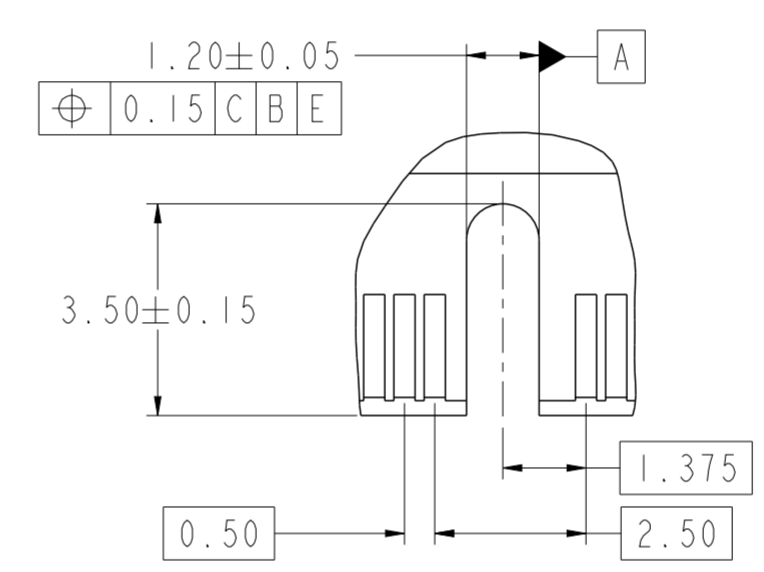
© 2020 Amphenol Corporation
Amphenol FCI



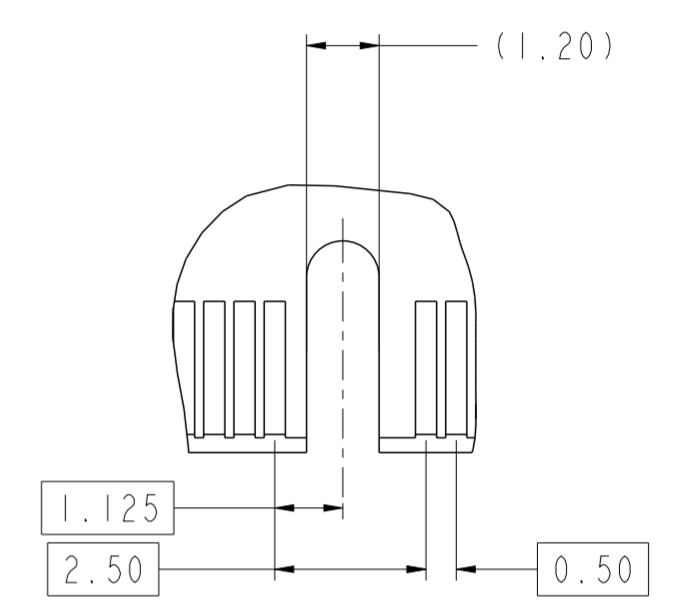
RECOMMENDED M.2 MINI CARD MOUNTING TYPE SMT PCB OUTLINE
DATUM Z:PCB SOLDER SURFACE
KEEP OUT ZONE



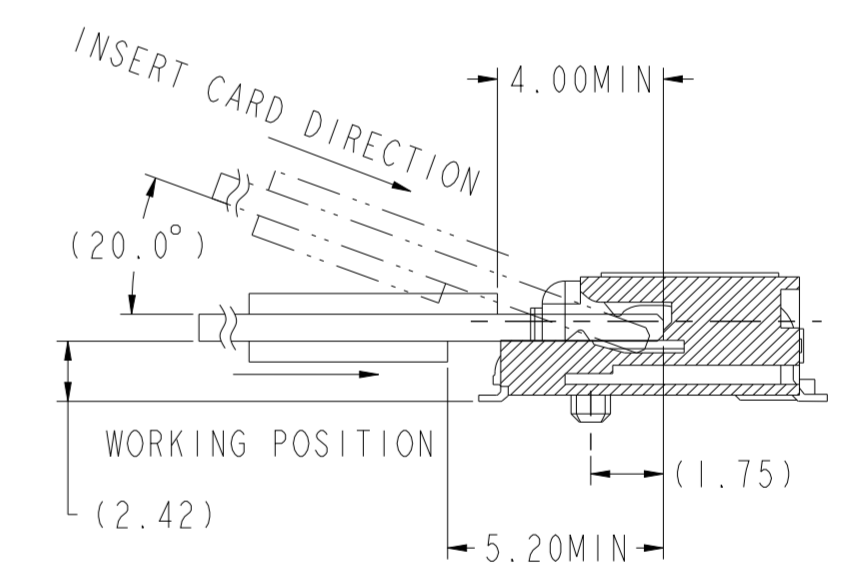
DETAIL D
SCALE 12:1



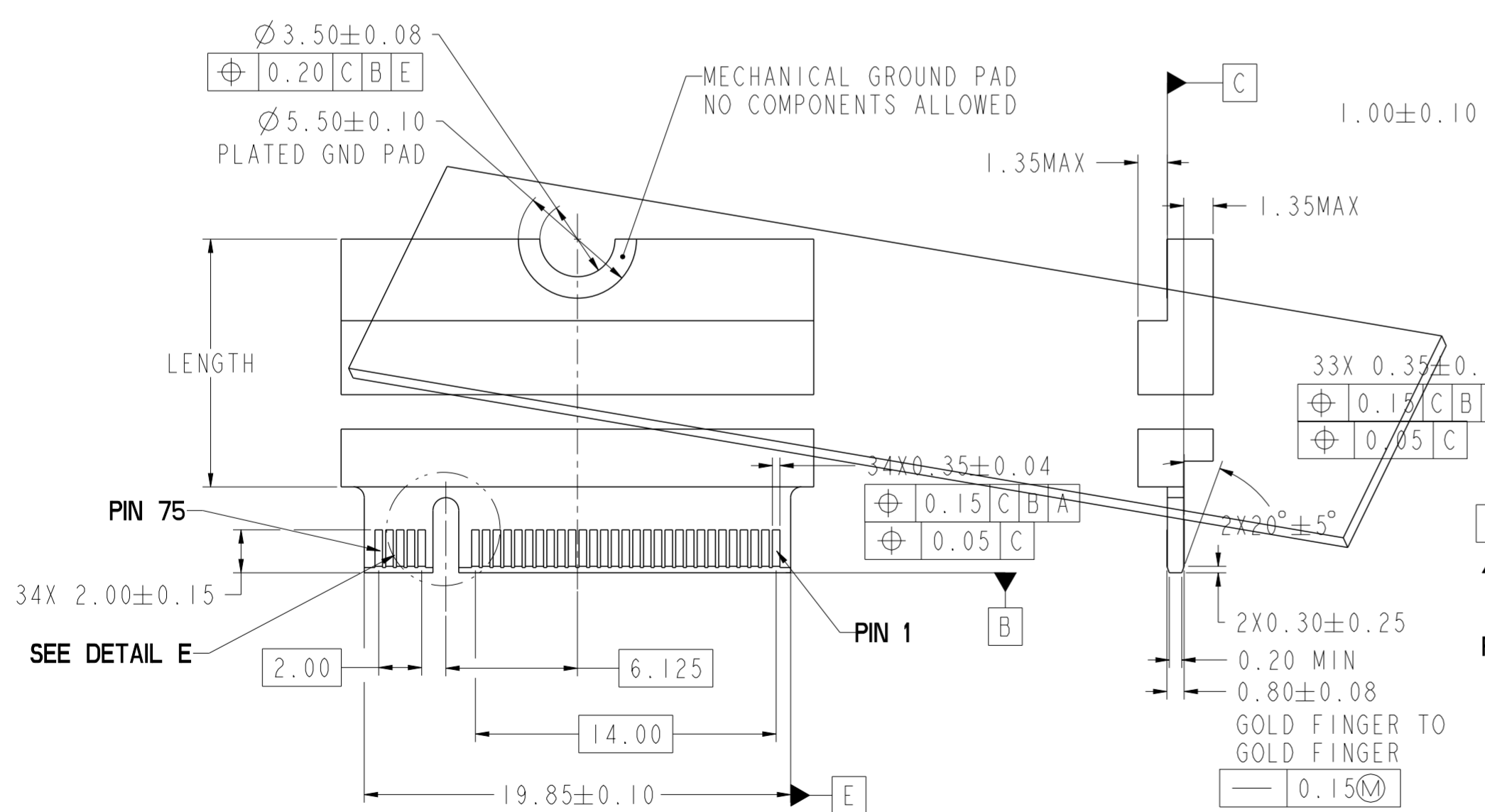
DETAIL E
SCALE 12:1



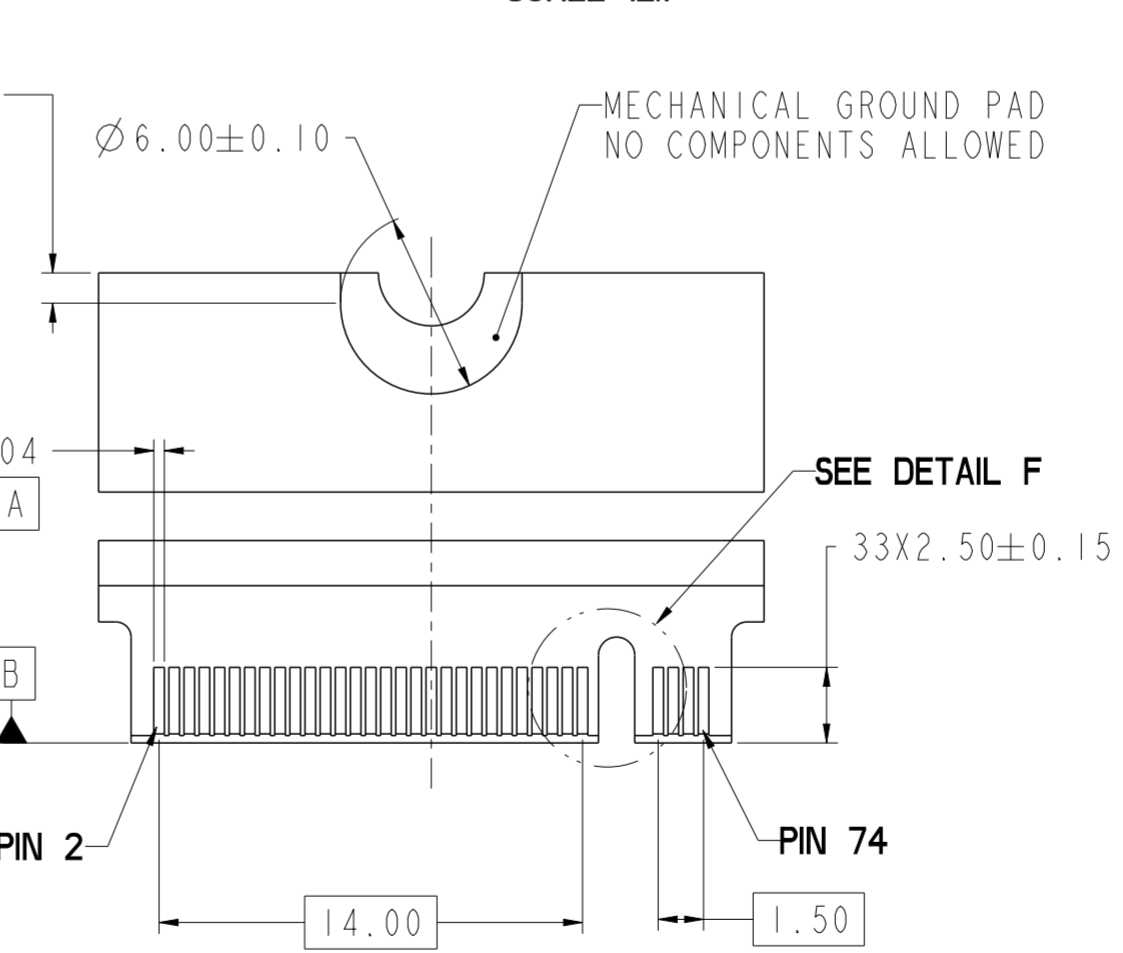
DETAIL F
SCALE 12:1



SECTION B-B



TOP VIEW OF CARD



SEE DETAIL F

tolerance std	ASME Y 14.5	TOLERANCES UNLESS OTHERWISE SPECIFIED	dr	Michael Song	2021/01/08	projection	MM	size	A2	scale	6:1
eng	-	-	chr	-	-	product family	-	ecn no	-	rel level	Preliminary
surface	linear	0.X ±0.30 0.XX ±0.10 0.XXX ±0.05	app	-	-	Amphenol FCI	M.2 4.2H MINI PCIe CONECTOR	dwg no	10157930	rev	1
ASME Y 14.5	angular	0° ±1°	cat. no.	-	-	Product - Customer Drw	sheet 2 of 2				