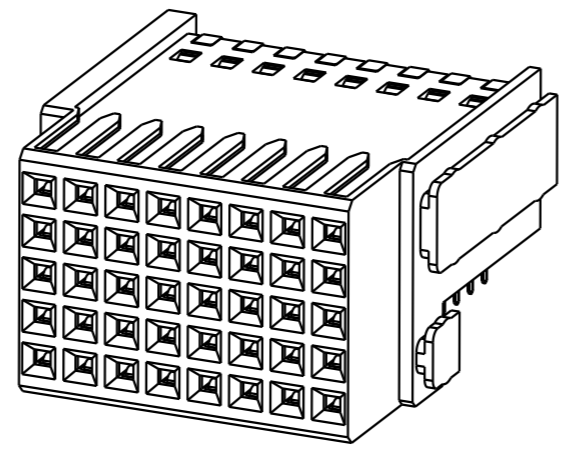
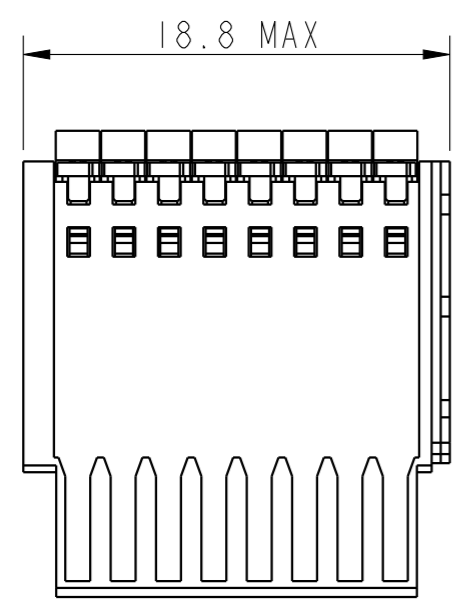
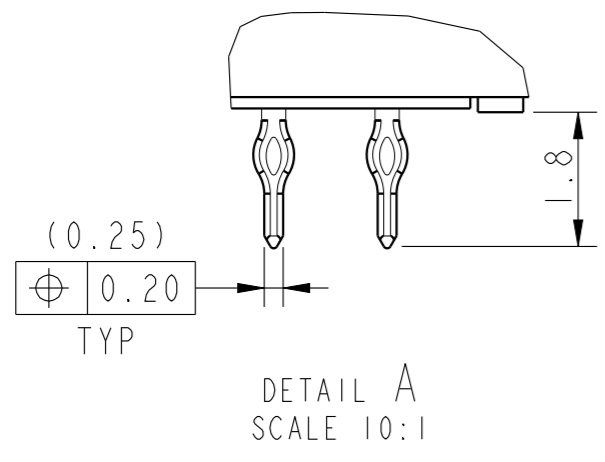
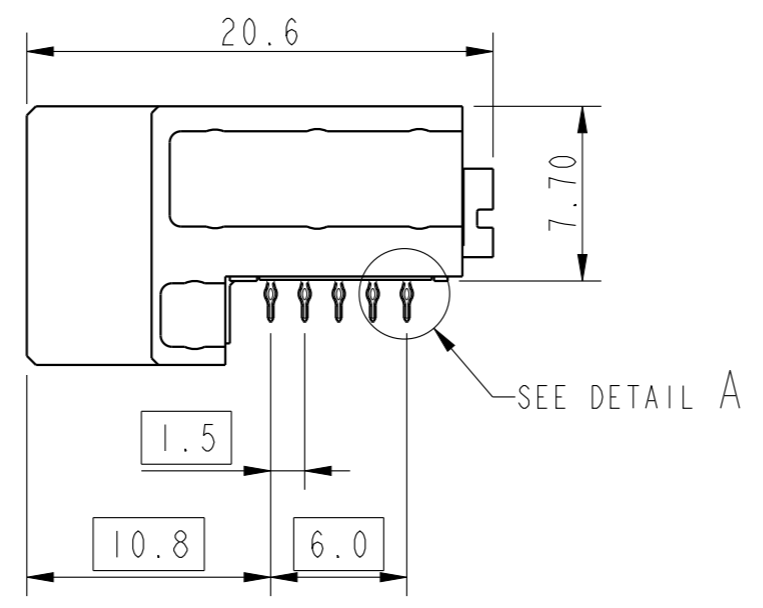
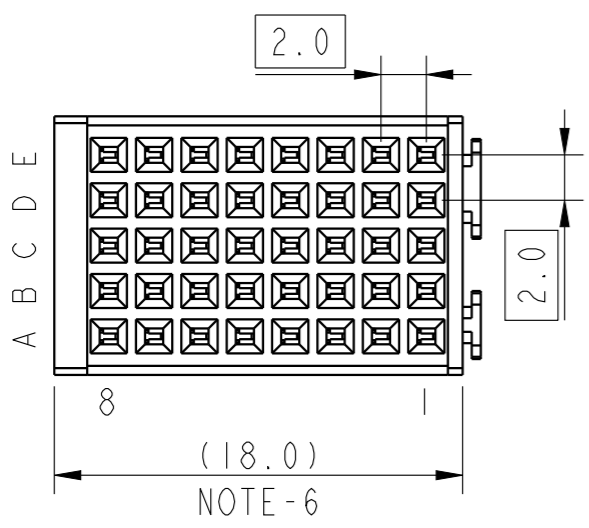
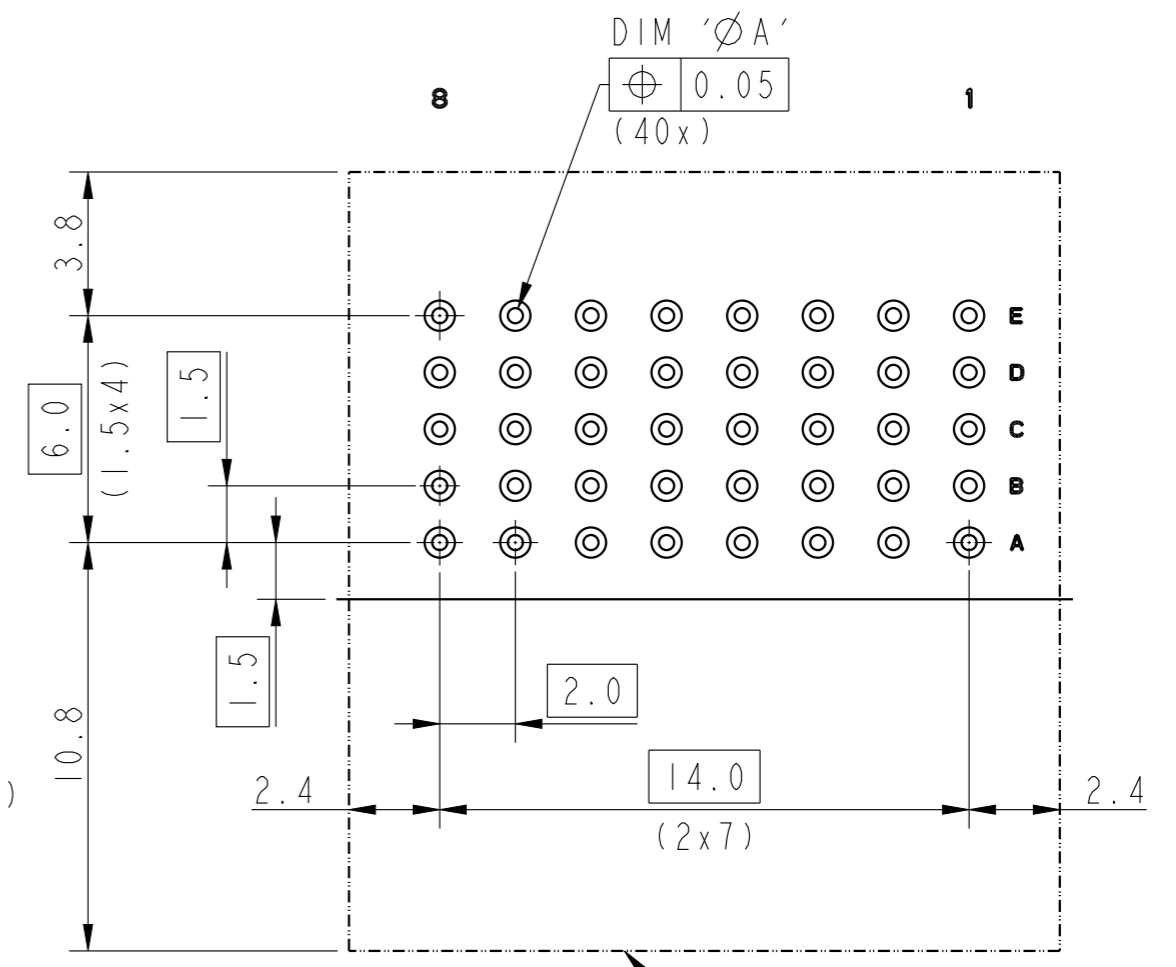


A  
B  
C  
D



10164741-x0xLF  
LOADING PATTERN (SEE PAGE-2)  
PLATING CODE (9-GXT)



CONNECTOR SPACING

RECOMMENDED PLATED THROUGH HOLE DIMENSIONS

DIM	FINISHED HOLE DIA	Cu. THICKNESS	Sn THICKNESS	DRILLED HOLE DIA	LAND DIA
A	0.35-0.45	0.02-0.05	0.0008-0.0012	0.45-0.49	0.80

NOTES:

- MATERIALS
  - HOUSING & IMLA'S : THERMOPLASTIC (UL94 V-0)
  - CONTACT : COPPER ALLOY
- FINISH
  - CONTACT AREA : GXT OVER Ni
  - TERMINAL AREA : Sn OVER Ni
- MATES WITH IEC 61076-4-101 SERIES 2MM HM HEADERS WITH CONTACT MATING LEVEL 1 & 2 IN SIGNAL ROWS.
- MOUNTING STYLE : PRESS FIT, FLAT ROCK INSERTION.
- MINIMUM PCB THICKNESS : 1.40 MM
- PITCH FOR SCALING

spec ref	dr	Aswin T-S	2023/02/17	projection	MM	size	A3	scale	3:1
tolerance std	eng	Aswin T-S	2023/02/20			ecn no		rel level	
ISO 406 ISO 1101	chr	-	-			Released			
surface	linear	0.X	±0.3		product family MILLIPACS	title MILLIPACS RA RECEPTACLE TYPE B8 SCALABLE VERTICAL PINNING_NON-SHIELDED	dwg no 10164741	rev A	cat. no. 10164741-xxxLF
		0.XX	±0.20						
ISO 1302	angular	0°	±3°	PDS: Rev :A		STATUS:Released		Printed: Feb 24, 2023	

10164741-x01LF								
0	0	0	0	0	0	0	0	
HS	G	HS	G	HS	G	HS	G	
HS	G	HS	G	HS	G	HS	G	
G	G	G	G	G	G	G	G	
HS	G	HS	G	HS	G	HS	G	
HS	G	HS	G	HS	G	HS	G	
0	0	0	0	0	0	0	0	
01							08	

10164741-x04LF								
0	0	0	0	0	0	0	0	
LS	LS	LS	LS	LS	LS	LS	LS	
LS	LS	LS	LS	LS	LS	LS	LS	
LS	LS	LS	LS	LS	LS	LS	LS	
LS	LS	LS	LS	LS	LS	LS	LS	
LS	LS	LS	LS	LS	LS	LS	LS	
0	0	0	0	0	0	0	0	
01							08	

10164741-x02LF								
0	0	0	0	0	0	0	0	
HS	G	HS	G	HS	G	HS	G	
HS	G	HS	G	HS	G	HS	G	
LS	G	LS	G	LS	G	LS	G	
HS	G	HS	G	HS	G	HS	G	
HS	G	HS	G	HS	G	HS	G	
0	0	0	0	0	0	0	0	
01							08	

10164741-x03LF								
0	0	0	0	0	0	0	0	
HS	LS	HS	LS	HS	LS	HS	LS	
HS	LS	HS	LS	HS	LS	HS	LS	
LS	LS	LS	LS	LS	LS	LS	LS	
HS	LS	HS	LS	HS	LS	HS	LS	
HS	LS	HS	LS	HS	LS	HS	LS	
0	0	0	0	0	0	0	0	
01							08	

HS	HIGH SPEED SIGNAL
LS	LOW SPEED SIGNAL
G	GROUND
0	EMPTY

spec ref	dr	Aswin T-S	2023/02/17	projection	MM	size	A3	scale	3:1
tolerance std	eng	Aswin T-S	2023/02/20		← →	ecn no		rel level	
ISO 406 ISO 1101	chr	-	-			MILLIPACS		Released	
surface	linear	0.X	±0.3	<b>Amphenol FCI</b>	product family	MILLIPACS RA RECEPTACLE TYPE B8 SCALABLE		dwg no	10164741
		0.XX	±0.20			VERTICAL PINNING_NON-SHIELDED			
		0.XXX	±0.15						
ISO 1302	angular	0°	±3°	cat. no.	10164741-xxxLF	Product - Customer Drw		sheet 2 of 2	