

RECOMMENDED P.C.B LAYOUT(Both sides are sample)  
Tolerance: ±0.05, Thickness=0.60mm

NOTE:

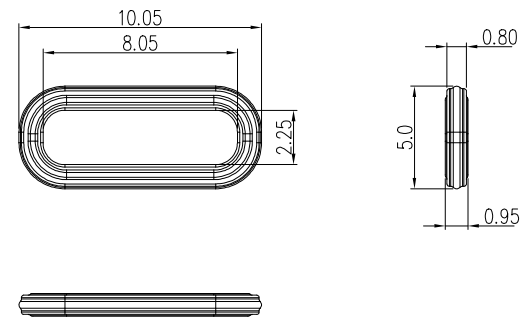
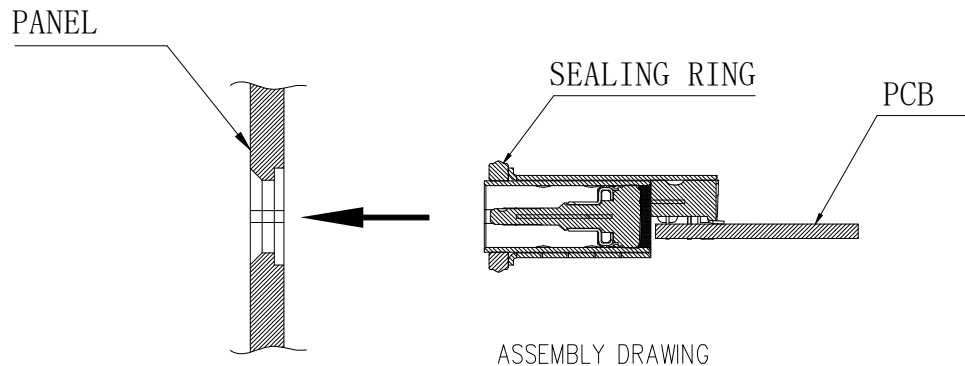
- 1.MATERIAL SPECIFICATION:
  - 1-1.HOUSING: HIGH TEMPERATURE THERMAL PLASTIC, UL94 V-0.
  - 1-2.TERMINAL: COPPER ALLOY
  - 1-3.MID PLATE: STAINLESS STEEL
  - 1-4.GND: STAINLESS STEEL
  - 1-5.SHELL: STAINLESS STEEL
  - 1-6.GLUE WATER: EPOXY
- 2.PLATING SPECIFICATION:
  - 2-1.CONTACTS:
    - NICKEL PLATING UNDER PLATED OVER ALL.
    - AU PLATED ON THE CONTACT AREA.
    - (GOLD PLATING THICKNESS FOLLOW THE P/N)
    - GOLD FLASH ON THE SOLDER AREA
  - 2-2.GND PLATE AND SHELL
    - NICKEL PLATING. UNDER PLATED OVER ALL.
  - 2-3.MIDDLE PLATE:
    - CLEAR ONLY
- 3.ELECTRICAL :
  - 3-1.CONTACT CURRENT RATING :
    - 5A(VBUS PIN 1.5A/PIN),
    - 5A(GND PIN 1.25A/PIN MAX),0.25A/PIN(OTHER PIN).
  - 3-2.INSULATION RESISTANCE : 100 MEGAOHMS MIN. AT 250VDC.
  - 3-3.DIELECTRIC WITHSTANDING VOLTAGE : 100VAC MIN.
  - 3-4.LOW LEVEL CONTACT RESISTANCE :
    - INITIAL 40mΩ MAX.
    - AFTER 50mΩ MAX.
- 4.MECHANICAL CHARACTERISTICS :
  - 4-1. MATING FORCE: 5~20N.
  - 4-2. UNMATING FORCE: 8~20N(INITIAL),6~20N(AFTER 10000 CYCLES);
  - 4-3.DURABILITY : 10,000 MATING CYCLES.
  - 4-4.OPERATING TEMPERATURE : -40°C TO +80°C

PART NUMBER DESCRIPTION:  
10164986-000 X X LF

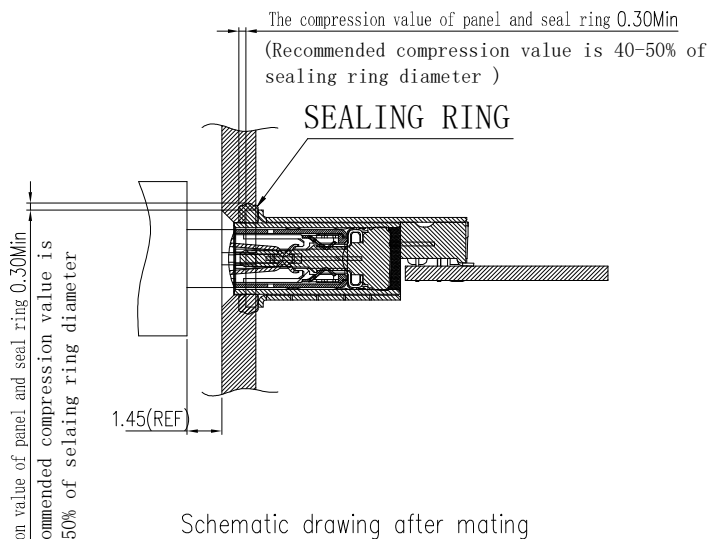
- PACKAGING
  1. TRAY
- CONTACT PLATING
  1. GOLD FLASH
  2. 30u" Au
  3. 15u" Au

mat'l. code		surface	tolerance	projection	product family
		ISO 1302 ✓	ISO 406 ISO	1101	HPL 511
ltr	ecn no	dr	date	tolerances unless otherwise specified	title
A	-	YY	2022/03/14	angles linear	USB TYPE C FEMALE
				0°±2'	R/A HYBRID SINK TYPE IP67
				dr Y-Y Bao 2022/03/14	dwg no sheet 1 of 2 size
				engr Y-Y Bao 2022/03/14	10164986 A3
				chr LQ Lei 2022/03/14	type Product Customer Drawing
				appd Tim Yao 2022/03/14	
sheet	revision				
index	sheet				

# RECOMMENDED SEALING METHOD



RECOMMENDED SPECIFICATION OF SEALING ORING  
(MATERIAL: SILICONE RUBBER)



mat'l. code		surface	tolerance	projection	product family
		ISO 1302 ✓	ISO 406 ISO 1101		HPL 511
ltr	ecn no	dr	date	tolerances unless otherwise specified	title
A				linear	USB TYPE C FEMALE R/A HYBRID SINK TYPE IP67
				mm	
				0°±2'	scale 1:1
		dr	Y-Y Bao	2022/03/14	dwg no
		engr	Y-Y Bao	2022/03/14	sheet 1 of 2
		chr	LQ Lei	2022/03/14	size
		appd	Tim Yao	2022/03/14	A3
sheet index		revision sheet			type Product Customer Drawing