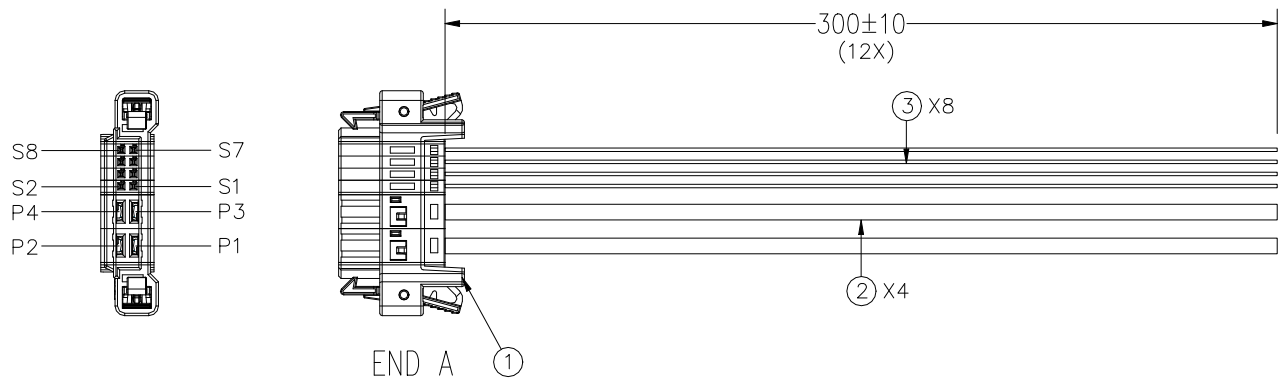


1 2 3 4

FCI P/N
10166495-1LA0007LF



HOUSING P/N: 10164610-005

WIRING LIST	
END A	WIRE
P1~P4	UL10530 12AWG BLACK
S1~S8	UL1007 22AWG BLACK

NOTES:

- UNLESS OTHERWISE SPECIFIED ASSEMBLED LENGTH TOLERANCE =
 < 1 METER: ±15.0mm
 > 1 METER TO 10 METER: ±2% OF L1
 > 10 METER: +0.00% / -4% OF L1
- ALL CABLE ASSEMBLIES SHALL BE TESTED 100% FOR CONTINUITY AS DEFINED IN WIRING LIST.
- UNLESS OTHERWISE SPECIFIED ALL CABLE ASSEMBLIES SHALL BE 100% HI-POT TESTED BY APPLYING 300V DC FOR MINIMUM OF 10ms, UNLESS ACTIVE COMPONENTS ARE USED IN THIS ASSEMBLY.
- ALL CUSTOMER DRAWINGS ARE SUPPLIED WITH METRIC DIMENSIONS.
- CONNECTOR ASSEMBLIES SHOWN ARE FOR REFERENCE ONLY AND MAY NOT SHOW ALL PART DETAIL. REFERENCE CONNECTOR HOUSING DRAWINGS FOR COMPLETE DETAILS.

AR	M	UL1007 22AWG PVC WIRE, BLACK	3
AR	M	UL10530 12AWG TPE WIRE, BLACK	2
1	PC	PWRBLADE MINI 4P+8S STR CONNECTOR KIT	1
Qty	Unit	Description	Item
dr	Peter Xu	03/04'23	
eng	Peter Xu	03/04'23	
rvwr	Siny Hu	03/04'23	
appr	Siny Hu	03/04'23	
A Division of Amphenol Corporation		amphenol-icc.com	rel level
projection	title PWRBLADE MINI CABLE ASSEMBLY		rev A
product family		Product - Customer Drw	sheet 1 of 1

1 2 3 4