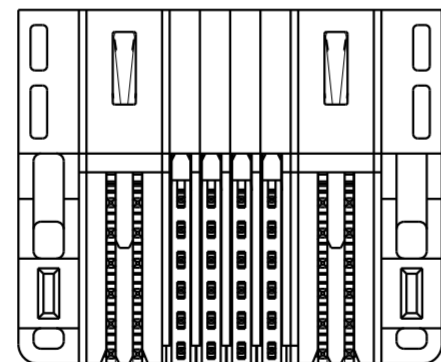
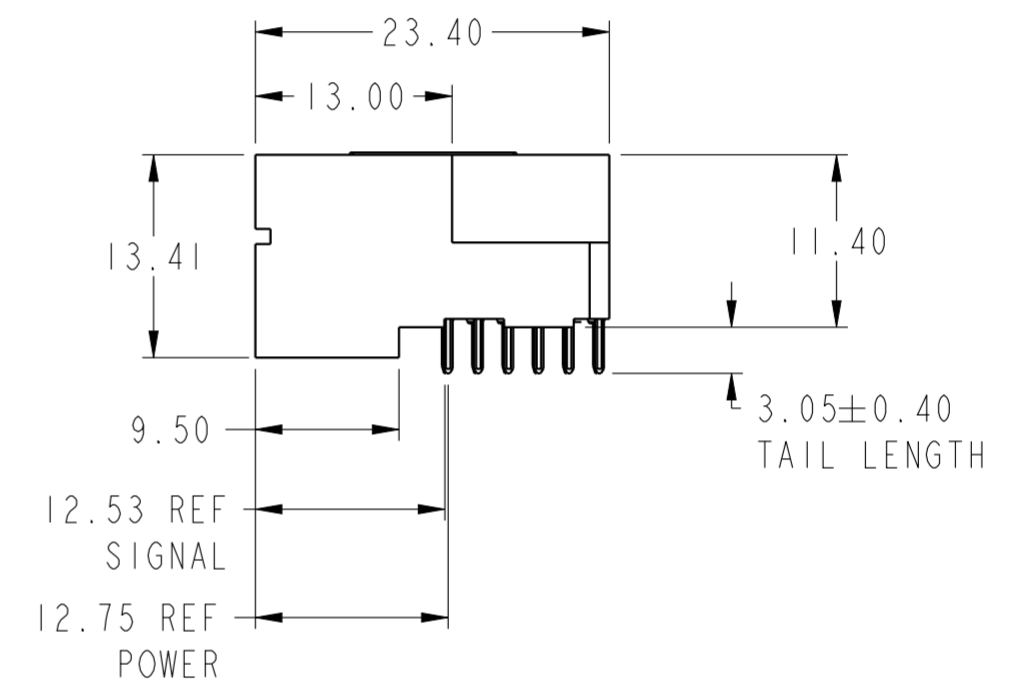
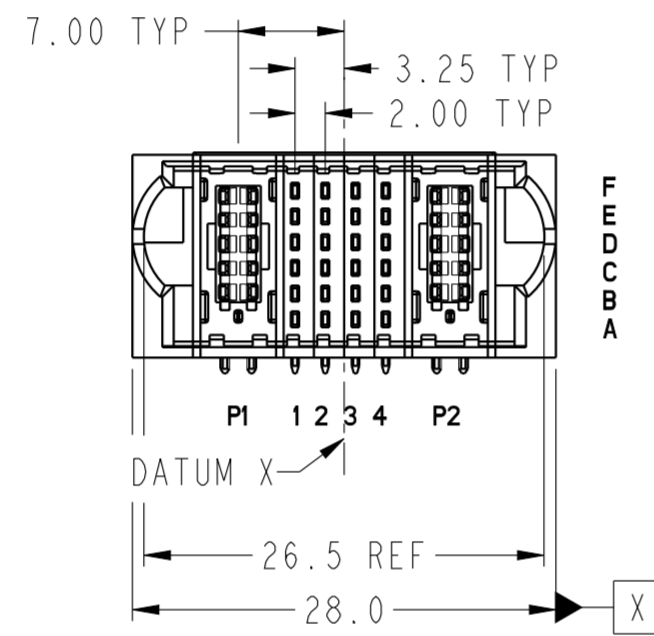
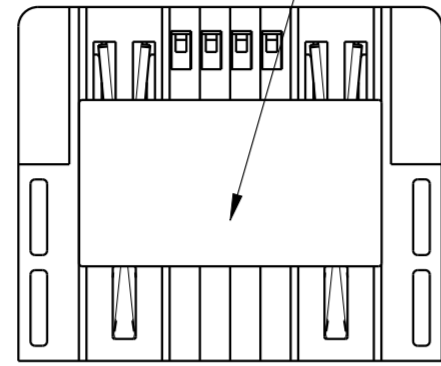


PRODUCT NUMBER
10169891-240000SLF

SEE NOTE 1
PRODUCT MARK ON THE
HOUSING SURFACE



Amphenol
Power Solutions

© 2021 Amphenol Corporation

spec ref	-	dr	Zhi-Jun He	2024/06/27	Amphenol Power Solutions A Division of Amphenol Corporation amphenol-hcc.com	MM	scale	2:1	size	A2
tolerance std	ISO 406 ISO 1101	eng	Zhi-Jun He	2024/09/24		ecn no				
TOLERANCES UNLESS OTHERWISE SPECIFIED		r vwr	-	-		rel level	Released			
surface	linear	0.X	±0.5	projection	IHP24SIHP, STB R/A Header, PwrBlade ULTRA HD+	deg no	10169891-240000S	rev	A	
ISO 1302	angular	0°	±2°			cat. no.		Product - Customer Drw	sheet 1 of 3	

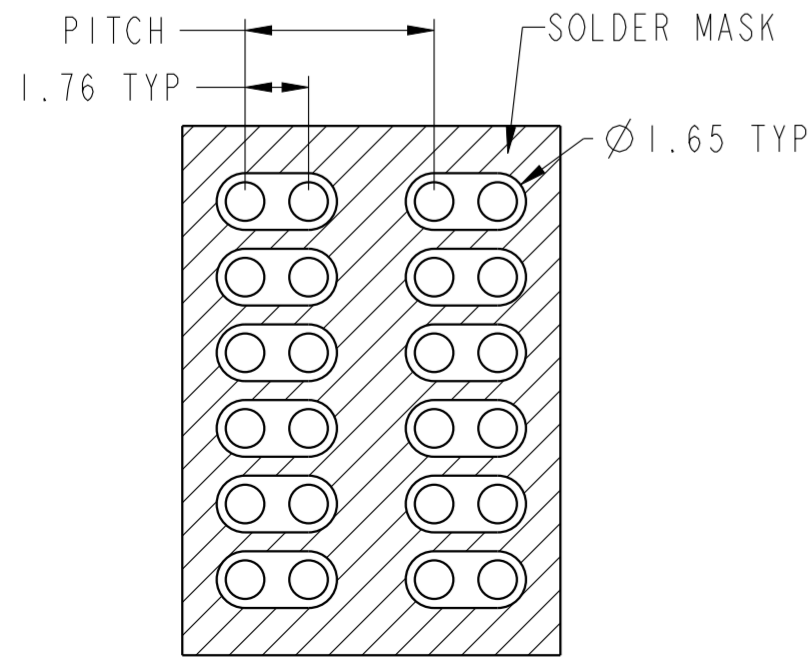
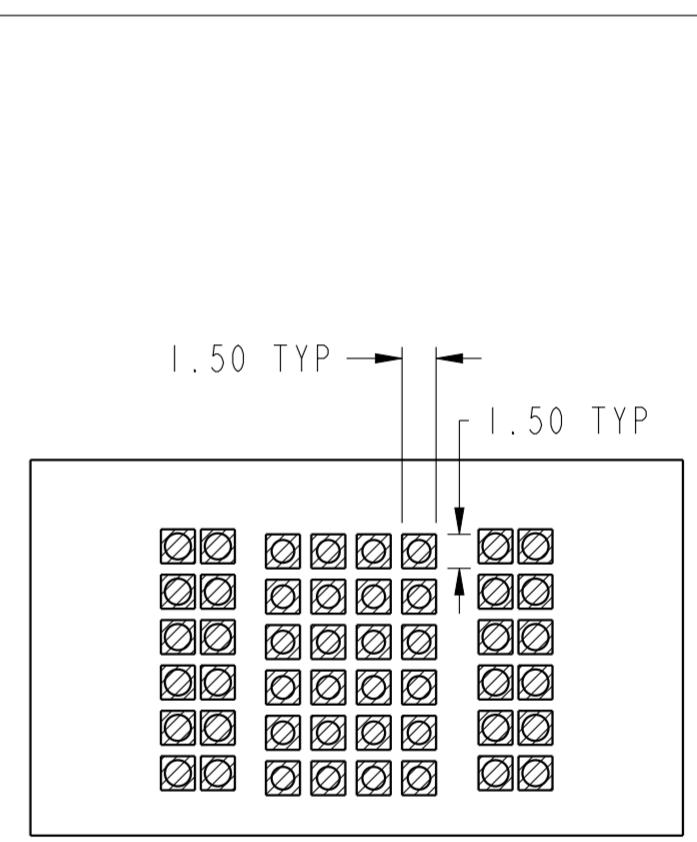
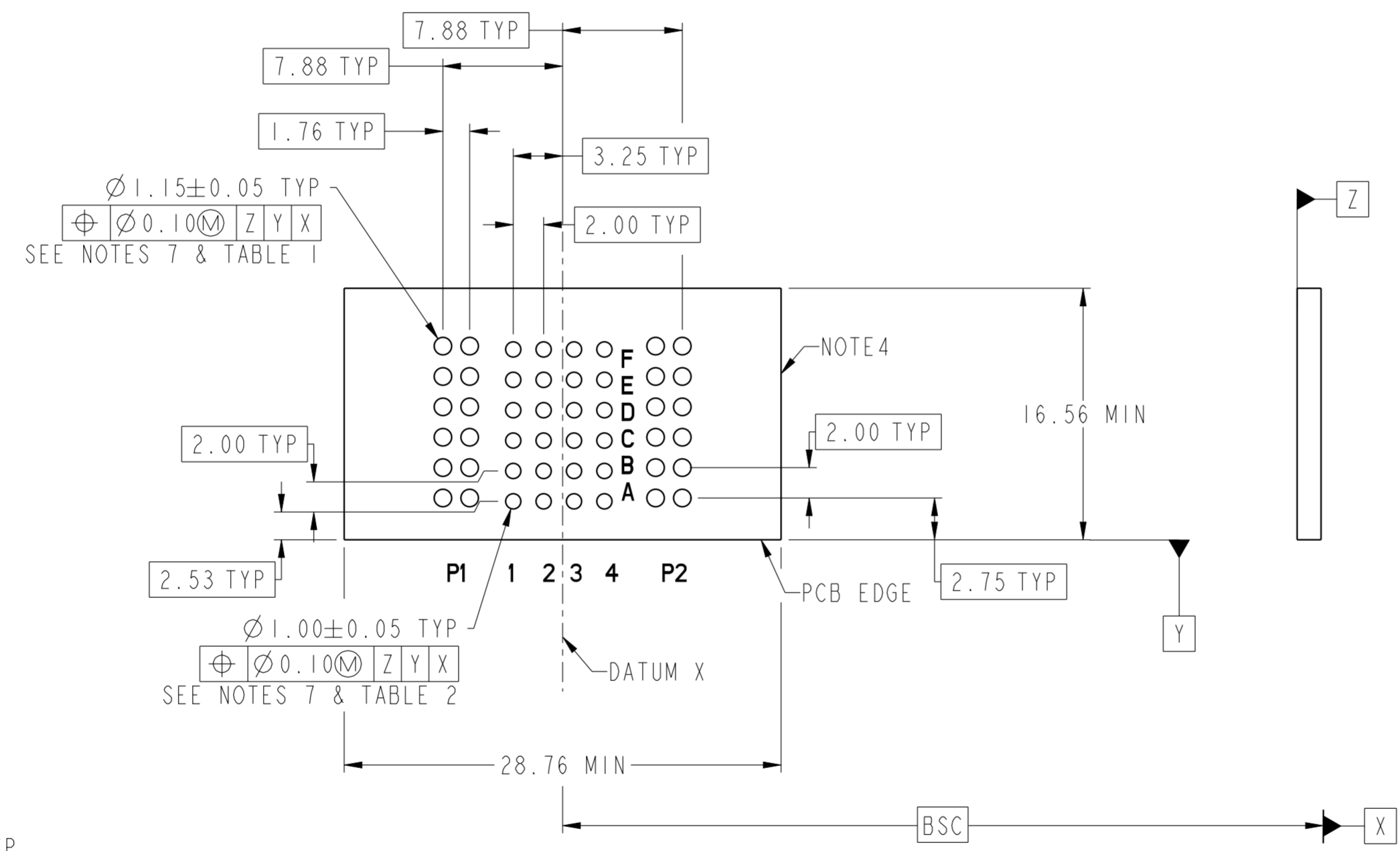
PDS: Rev :A

STATUS:Released

Printed: Sep 24, 2024

TOP LAYER DESCRIPTION	TABLE 1 (PB ULTRA HD+ POWER CONTACT) PLATED THROUGH-HOLE REQUIREMENTS						
	DRILLED HOLE DIAMETER	COPPER THICKNESS	NICKEL THICKNESS	GOLD THICKNESS	TIN THICKNESS	SILVER THICKNESS	FINISHED HOLE DIAMETER
IMMERSION TIN	1.225-1.275 (1.25 DRILL)	0.025 - 0.075	--	--	0.9 - 1.5um	--	1.10 - 1.20
IMMERSION SILVER		0.025 - 0.075	--	--	--	0.15 - 0.65um	1.10 - 1.20
COPPER		0.025 - 0.075	--	--	--	--	1.10 - 1.20
GOLD		0.025 - 0.075	0.003 - 0.007	FLASH UP TO 0.0002	--	--	1.09 - 1.20

TOP LAYER DESCRIPTION	TABLE 2 (PB ULTRA HD+ SIGNAL CONTACT) PLATED THROUGH-HOLE REQUIREMENTS						
	DRILLED HOLE DIAMETER	COPPER THICKNESS	NICKEL THICKNESS	GOLD THICKNESS	TIN THICKNESS	SILVER THICKNESS	FINISHED HOLE DIAMETER
IMMERSION TIN	1.075-1.125 (1.10 DRILL)	0.025 - 0.075	--	--	0.9 - 1.5um	--	0.95 - 1.05
IMMERSION SILVER		0.025 - 0.075	--	--	--	0.15 - 0.65um	0.95 - 1.05
COPPER		0.025 - 0.075	--	--	--	--	0.95 - 1.05
GOLD		0.025 - 0.075	0.003 - 0.007	FLASH UP TO 0.0002	--	--	0.94 - 1.05



RECOMMEND PCB LAYOUT TOP VIEW

RECOMMEND SOLDER PASTE LAYOUT FOR PIP PROCESS(T=0.20MM) TOP VIEW

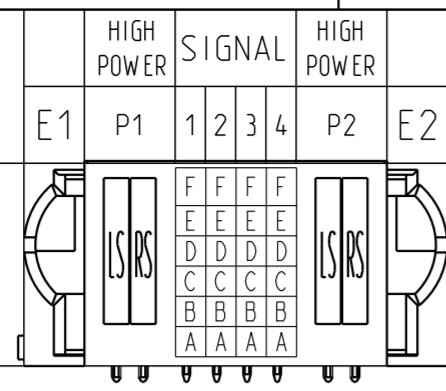
spec ref	-	dr	Zhi-Jun He	2024/06/27	Amphenol Power Solutions A Division of Amphenol Corporation amphenol-hcc.com	MM	scale	2:1	size	A2	
tolerance std	ISO 406 ISO 1101	eng	Zhi-Jun He	2024/09/24		ecn no					
TOLERANCES UNLESS OTHERWISE SPECIFIED		fwvr				rel level	Released				
surface	linear	0.X	±0.5	projection							
		0.XX	±0.25								
		0.XXX	±0.130								
	angular	0°	±2°								
ISO 1302		product family		IHP24SIHP, STB R/A Header, PwrBlade ULTRA HD+		cat. no.		10169891-240000S		rev	A
Product - Customer Drw						sheet 2 of 3					

PRODUCT NO.

ROWS

10169891-240000SLF

FEDCBA



CODE	DESCRIPTION	REMARK
A	SIGNAL CONTACT	STD
B	SIGNAL CONTACT	STD
C	SIGNAL CONTACT	STD
D	SIGNAL CONTACT	STD
E	SIGNAL CONTACT	STD
F	SIGNAL CONTACT	STD
LS	LEFT POWER CONTACT	/
RS	RIGHT POWER CONTACT	/

NOTES:

- PRODUCT MARK:
PART NUMBER AND DATE CODE TO BE MARKED ON THIS SURFACE.
THE MARK CAN BE OMITTED IF THERE IS NOT ENOUGH SPACE ON THIS SURFACE.
- MATERIALS:
HOUSING: HIGH TEMP THERMOPLASTIC WITH GLASS FIBER, UL94V-0, BLACK.
POWER CONTACTS: HIGH CONDUCTIVITY COPPER ALLOY.
SIGNAL CONTACTS: COPPER ALLOY.
HOLD DOWN: COPPER ALLOY.
- PLATING SPECIFICATION: 10135186.
- DENOTES CONNECTOR KEEP OUT ZONE.
- DATUM AND BASIC DIMENSION ARE ESTABLISHED BY CUSTOMER.
- RECOMMEND PCB THICKNEES 1.6MM.
- 1.250±0.025mm DRILLED HOLE PLATED WITH 7.62µm MIN Sn OVER
25.4µm-76.2µm Cu PLATING TO ACHIEVE A 1.15±0.05mm FINISHED HOLE.

1.100±0.025mm DRILLED HOLE PLATED WITH 7.62µm MIN Sn OVER
25.4µm-76.2µm Cu PLATING TO ACHIEVE A 1.00±0.05mm FINISHED HOLE.
- THE HOUSING WILL WITHSTAND EXPOSURE TO 260° PEAK TEMPERATURE FOR 10~30 SECONDS IN A CONVECTION, INFRA-RED OR VAPOR PHASE REFLOW OVEN.
- THE VOID CORING BETWEEN POWER MODULES, SIGNAL MODULES AND END MODULES ARE OPTIONAL AND THE SHAPE MAY BE DIFFERENT TO OPTIMIZE THE MOLDING PROCESS. THE VOID CORING WILL NOT EFFECT THE PRODUCT FUNCTION.
- THIS PRODUCT MEETS EUROPEAN UNION DIRECTIVES AND OTHER COUNTRY REGULATIONS AS DESCRIBED IN GS-47-0004.
- PRODUCT SPECIFICATION: GS-12-1895.
APPLICATION SPECIFICATION: GS-20-0849.
PRODUCT PACKAGE SPECIFICATION: GS-14-3094.

Amphenol Power Solutions

© 2021 Amphenol Corporation

F

spec ref	-	dr	Zhi-Jun He	2024/06/27		MM	scale	2:1	size	A2	
tolerance std	ISO 406 ISO 1101	eng	Zhi-Jun He	2024/09/24		ecn no					
TOLERANCES UNLESS OTHERWISE SPECIFIED		fvwr	-	-		rel level	Released				
surface	linear	0.X	±0.5	projection		IHP24SIHP, STB		deg no	10169891-240000S	rev	A
	0.XX	±0.25				R/A Header, PwrBlade ULTRA HD+		cat. no.			
	0.XXX	±0.130				Product - Customer Drw		sheet 3 of 3			
ISO 1302	angular	0°	±2°								

PDS: Rev :A

STATUS:Released

Printed: Sep 24, 2024