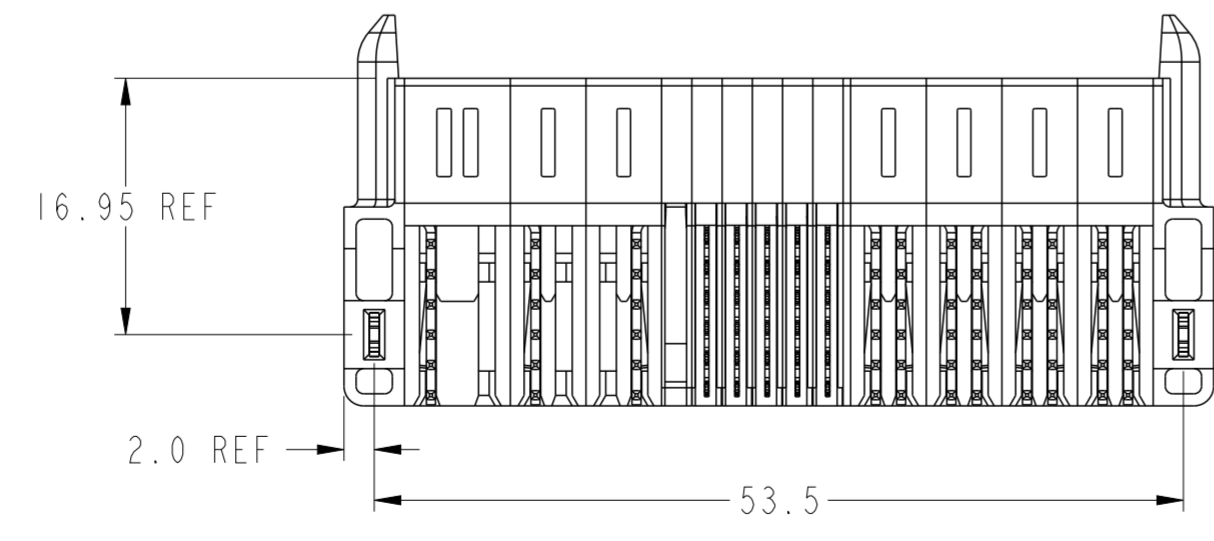
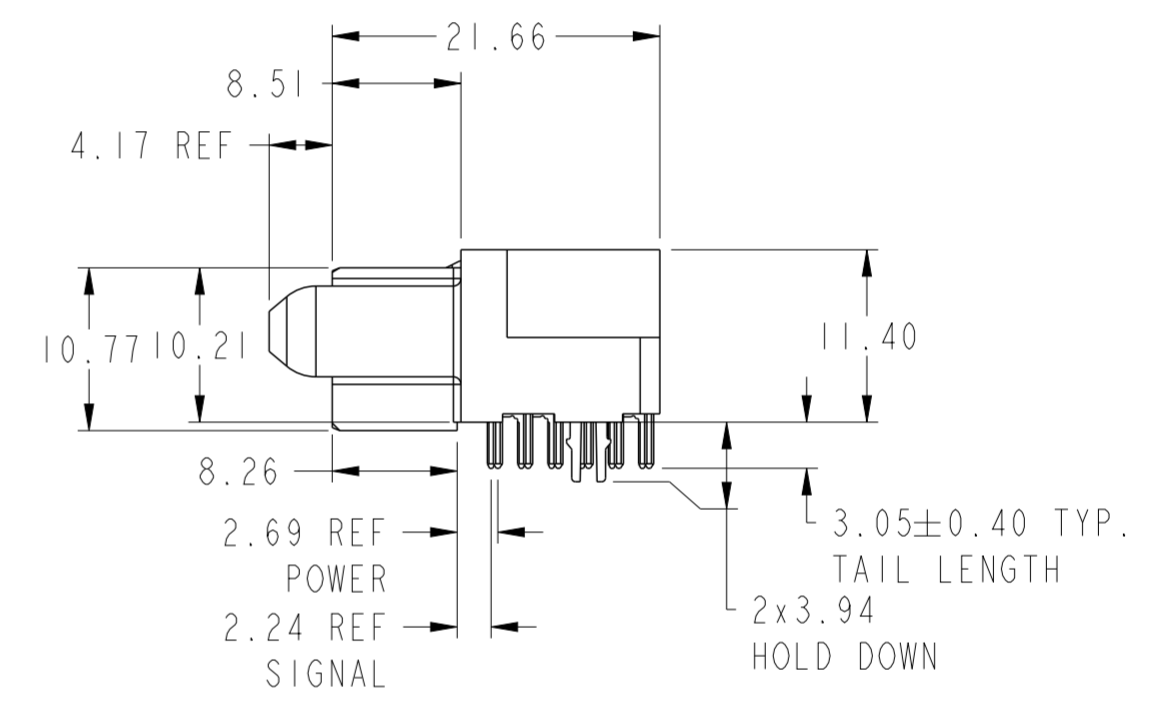
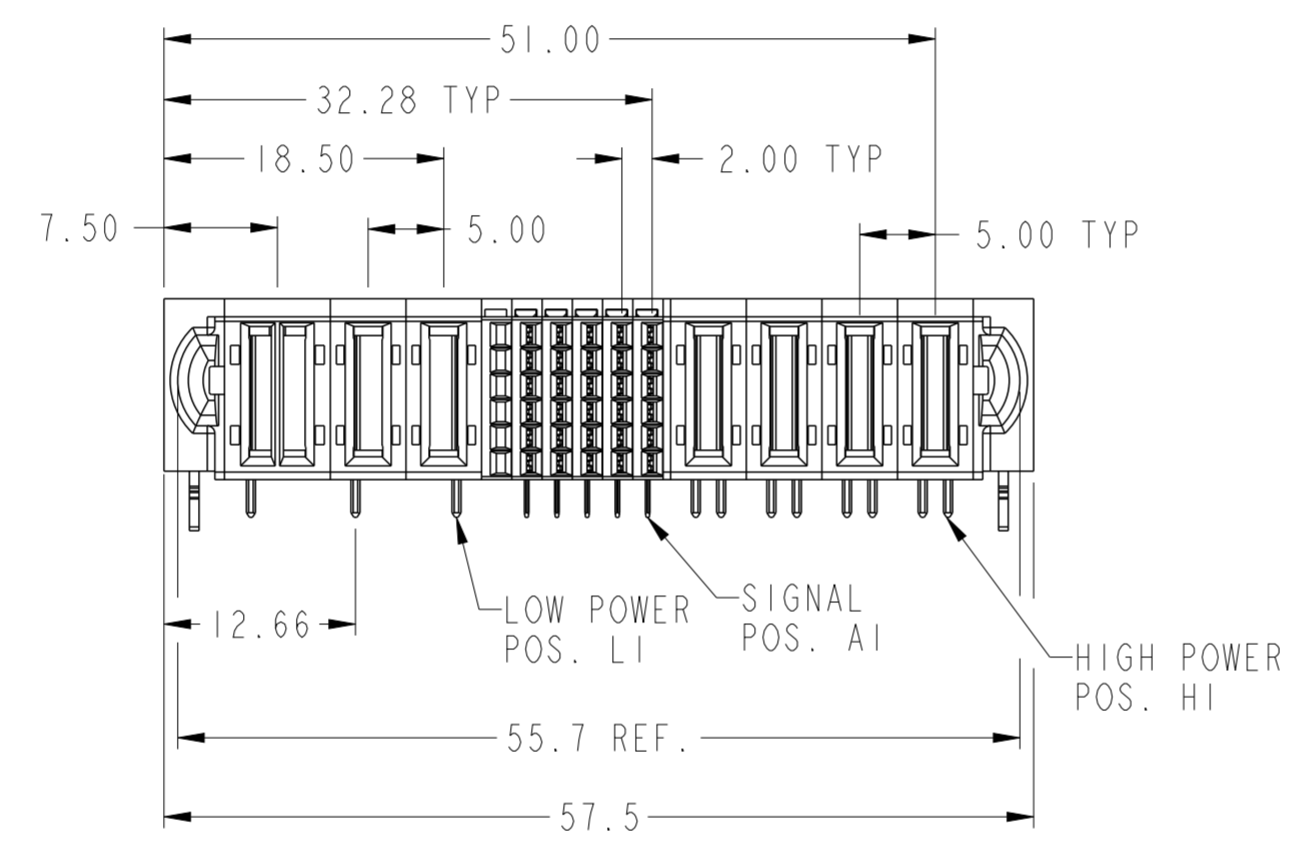
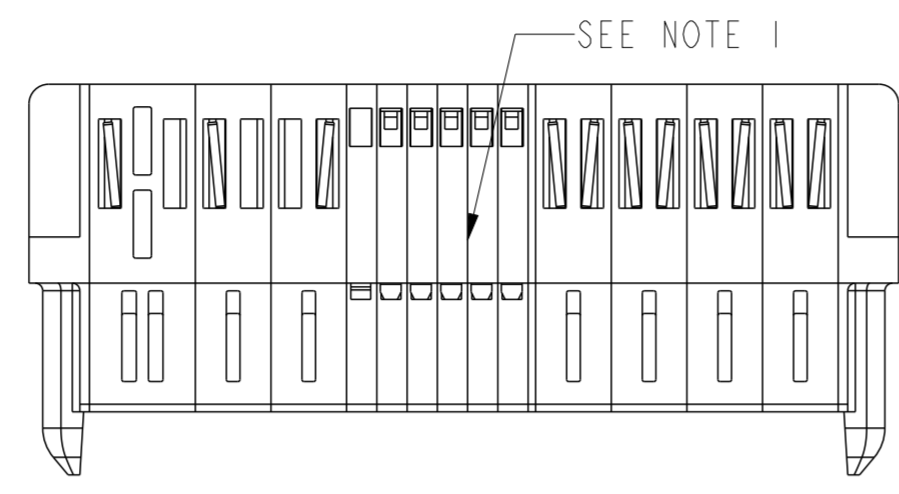


PRODUCT NUMBER
10169892-453001SLF

revision history				
rev	ecn no	description	dr	date
A	NEW	NA	ZJ HE	2023/12/12
-	-	-	-	YYYY/MM/DD
-	-	-	-	YYYY/MM/DD



Amphenol Power Solutions

© 2021 Amphenol Corporation

spec ref	-	dr	Zhi-Jun He	2023/12/07	Amphenol Power Solutions A Division of Amphenol Corporation amphenol-hcc.com	MM	scale	2:1	size	A2
tolerance std	ISO 406 ISO 1101	eng	Zhi-Jun He	2024/06/24		ecn no				
TOLERANCES UNLESS OTHERWISE SPECIFIED		r wvr	-	-		rel level	Released			
surface	linear	0.X	±0.5	projection 	title	4HP+30HDS+3LP, STB	dig no	10169892-453001S	rev	A
		0.XX	±0.25			cat. no.	-			
		0.XXX	±0.130			product family	PwrBlade ULTRA	Product - Customer Drw	sheet 1 of 3	
	angular	0°	±2°							

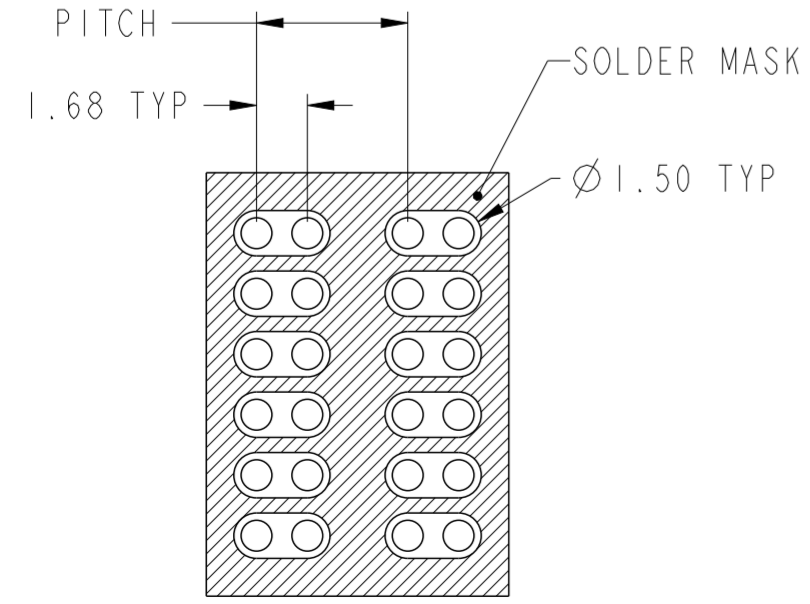
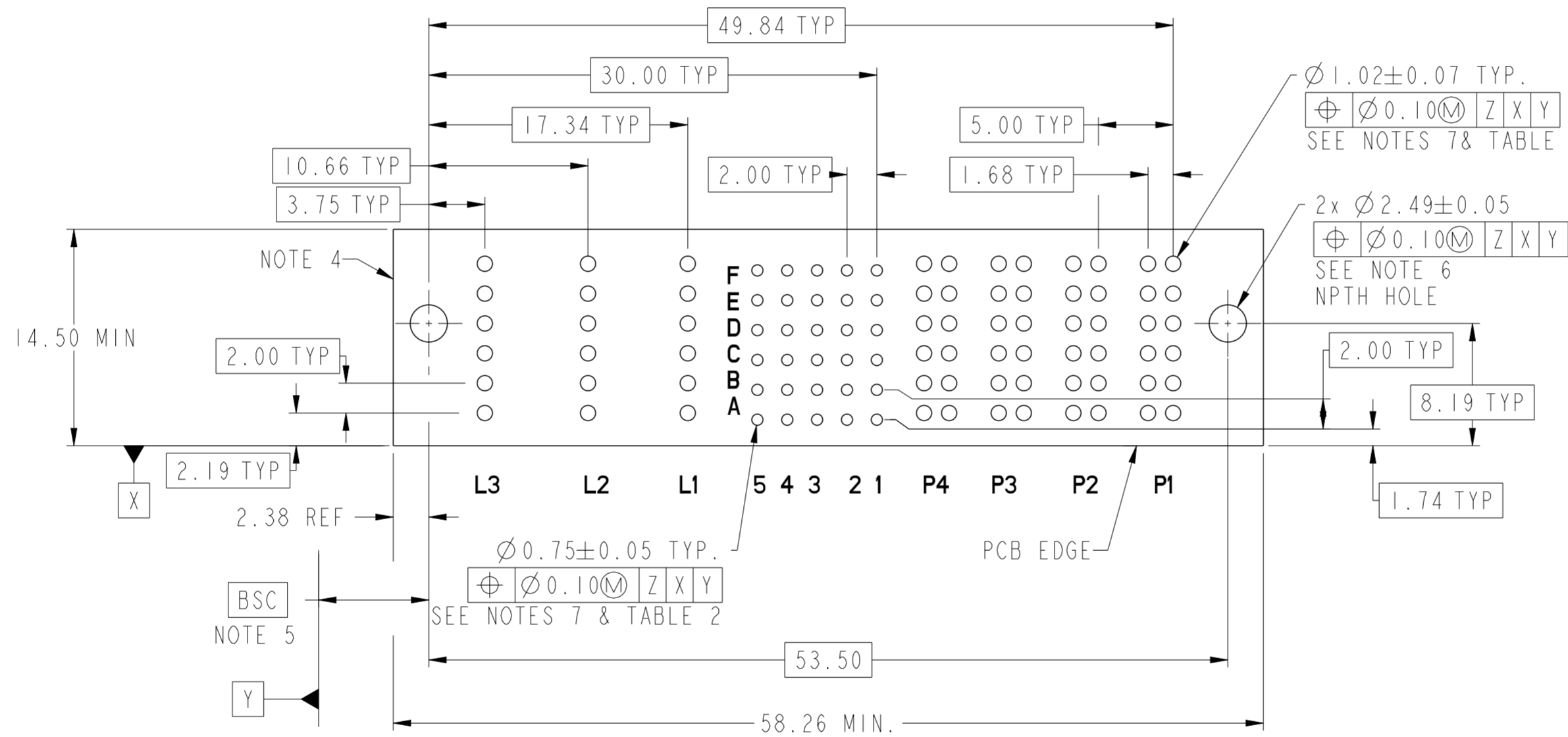
PDS: Rev :A

STATUS:Released

Printed: Jun 24, 2024

TOP LAYER DESCRIPTION	TABLE 1 (PB ULTRA HD+ POWER CONTACT) PLATED THROUGH-HOLE REQUIREMENTS						
	DRILLED HOLE DIAMETER	COPPER THICKNESS	NICKEL THICKNESS	GOLD THICKNESS	TIN THICKNESS	SILVER THICKNESS	FINISHED HOLE DIAMETER
IMMERSION TIN	1.125-1.175 (1.15 DRILL)	0.025 - 0.050	--	--	0.9 - 1.5um	--	0.95 - 1.09
IMMERSION SILVER		0.025 - 0.050	--	--	--	0.15 - 0.65um	0.95 - 1.09
COPPER		0.025 - 0.050	--	--	--	--	0.95 - 1.09
GOLD		0.025 - 0.050	0.003 - 0.007	FLASH UP TO 0.0002	--	--	0.95 - 1.09

TOP LAYER DESCRIPTION	TABLE 2 (PB ULTRA HD+ SIGNAL CONTACT) PLATED THROUGH-HOLE REQUIREMENTS						
	DRILLED HOLE DIAMETER	COPPER THICKNESS	NICKEL THICKNESS	GOLD THICKNESS	TIN THICKNESS	SILVER THICKNESS	FINISHED HOLE DIAMETER
IMMERSION TIN	0.81-0.86 (0.85 DRILL)	0.025 - 0.050	--	--	0.9 - 1.5um	--	0.70 - 0.80
IMMERSION SILVER		0.025 - 0.050	--	--	--	0.15 - 0.65um	0.70 - 0.80
COPPER		0.025 - 0.050	--	--	--	--	0.70 - 0.80
GOLD		0.025 - 0.050	0.003 - 0.007	FLASH UP TO 0.0002	--	--	0.69 - 0.80



RECOMMEND PCB LAYOUT TOP VIEW

spec ref	-	dr	Zhi-Jun He	2023/12/07	Amphenol Power Solutions A Division of Amphenol Corporation amphenol-hcc.com	MM	scale	2:1	size	A2	
tolerance std	ISO 406 ISO 1101	eng	Zhi-Jun He	2024/06/24		ec n no					
surface	ISO 1302	fvwr	-	-		rel level	Released				
		appr	Zheng, Pei-Min	2024/06/24	product family	PwrBlade ULTRA	Product - Customer Drw	sheet 2 of 3			
		projection			title	4HP+30HDS+3LP, STB		cat. no.	10169892-453001S	rev	A

PDS: Rev :A

STATUS:Released

Printed: Jun 24, 2024

Amphenol Power Solutions

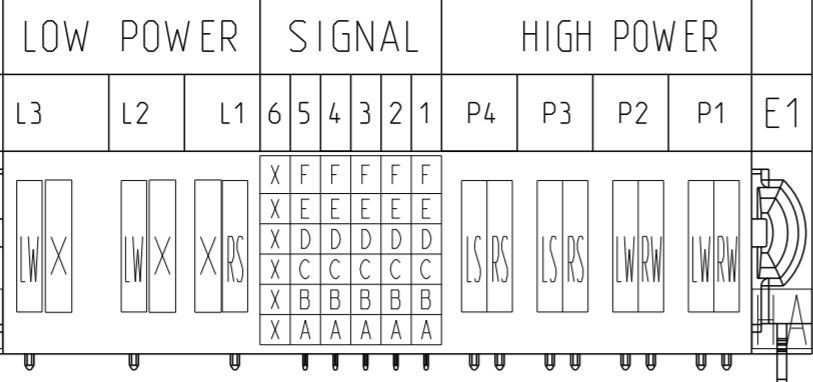
© 2021 Amphenol Corporation

PRODUCT NO.

10169892-453001SLF

ROWS

F
E
D
C
B
A



CODE	DESCRIPTION	REMARK
A	SIGNAL CONTACT	/
B	SIGNAL CONTACT	/
C	SIGNAL CONTACT	/
D	SIGNAL CONTACT	/
E	SIGNAL CONTACT	/
F	SIGNAL CONTACT	/
LS	LEFT POWER CONTACT	MFBL
RS	RIGHT POWER CONTACT	MFBL
LW	LEFT POWER CONTACT	STD
RW	RIGHT POWER CONTACT	STD
HA	HOLD DOWN	/
X	OMITTED	/

NOTES:

- PRODUCT MARK:
PART NUMBER AND DATE CODE TO BE MARKED ON THIS SURFACE.
THE MARK CAN BE OMITTED IF THERE IS NOT ENOUGH SPACE ON THIS SURFACE.
- MATERIALS:
HOUSING: HIGH TEMP THERMOPLASTIC WITH GLASS FIBER, UL94V-0, BLACK.
POWER CONTACTS: HIGH CONDUCTIVITY COPPER ALLOY.
SIGNAL CONTACTS: COPPER ALLOY.
HOLD DOWN: COPPER ALLOY.
- PLATING SPECIFICATION: 10135186.
- DENOTES CONNECTOR KEEP OUT ZONE.
- DATUM AND BASIC DIMENSION ARE ESTABLISHED BY CUSTOMER.
- RECOMMEND PCB THICKNESSES 1.6MM.
- 1.150±0.025mm DRILLED HOLE PLATED WITH 7.62µm MIN Sn OVER
25.4µm-76.2µm Cu PLATING TO ACHIEVE A 1.02±0.07mm FINISHED HOLE.

0.850±0.025mm DRILLED HOLE PLATED WITH 7.62µm MIN Sn OVER
25.4µm-76.2µm Cu PLATING TO ACHIEVE A 0.75±0.05mm FINISHED HOLE.
- THE HOUSING WILL WITHSTAND EXPOSURE TO 260° PEAK TEMPERATURE FOR 10-30 SECONDS IN A WAVE SOLDERING APPLICATION.
- THE VOID CORING BETWEEN POWER MODULES, SIGNAL MODULES AND END MODULES ARE OPTIONAL AND THE SHAPE MAY BE DIFFERENT TO OPTIMIZE THE MOLDING PROCESS. THE VOID CORING WILL NOT EFFECT THE PRODUCT FUNCTION.
- THIS PRODUCT MEETS EUROPEAN UNION DIRECTIVES AND OTHER COUNTRY REGULATIONS AS DESCRIBED IN GS-47-0004.
- PRODUCT SPECIFICATION: GS-12-1895.
APPLICATION SPECIFICATION: GS-20-0849.
PRODUCT PACKAGE SPECIFICATION: GS-14-3094.

Amphenol Power Solutions

© 2021 Amphenol Corporation

spec ref	-	dr	Zhi-Jun He	2023/12/07		MM	scale	2:1	size	A2
tolerance std	ISO 406 ISO 1101	eng	Zhi-Jun He	2024/06/24		ec n no				
TOLERANCES UNLESS OTHERWISE SPECIFIED		r v w r	-	-		rel level	Released			
		appr	Zheng, Pei-Min	2024/06/24		A Division of Amphenol Corporation	amphenol-hcc.com			
surface	linear	0.X	±0.5		title 4HP+30HDS+3LP, STB R/A RECEPTACLE, PwrBlade ULTRA HD+	deg no	10169892-453001S	rev	A	
		0.XX	±0.25			cat. no.	-			
		0.XXX	±0.130			product family	PwrBlade ULTRA	Product - Customer Drw	sheet 3 of 3	
ISO 1302	angular	0°	±2°							

PDS: Rev :A

STATUS:Released

Printed: Jun 24, 2024