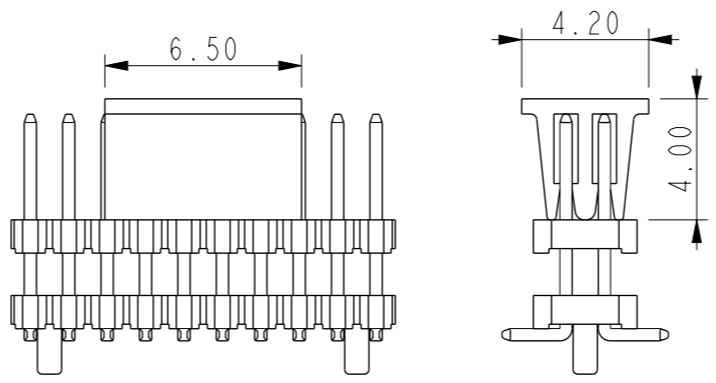
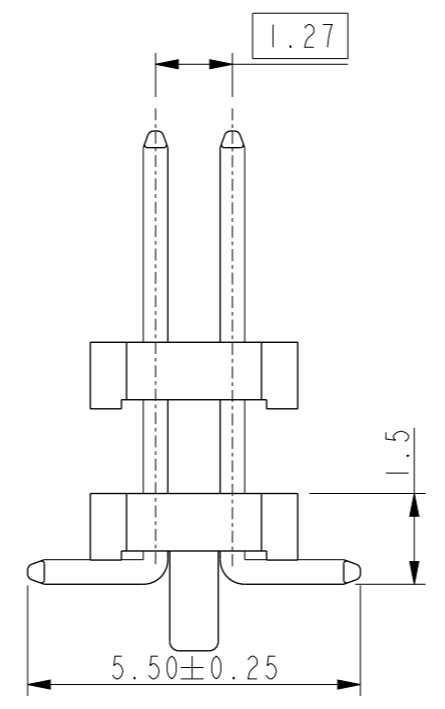
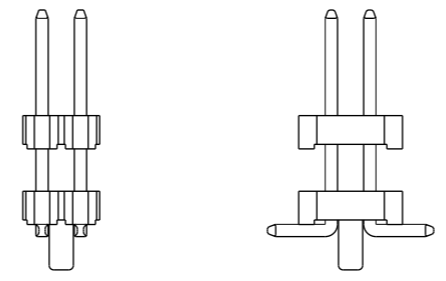


RECOMMENDED PCB LAYOUT



DIMENSION OF STANDARD CAP



4PIN WITH POST
(ONLY ONE POST)

- NOTES:
- MATERIAL:
HOUSING: HIGH TEMP THERMAL PLASTIC, UL94-V0
TERMINAL: COPPER ALLOY
 - FINISH:
TERMINAL: 50u" MIN Ni UNDER PLATING
CONTACT AREA: SEE PRODUCT DESCRIPTION
SOLDER AREA: SEE PRODUCT DESCRIPTION
 - SPEC:
PRODUCT SPEC.: GS-12-629
 - THE HSG. WILL WITHSTAND EXPOSURE TO 260°C PEAK TEMP. FOR 10 SEC. IN A WAVE SOLDER OR REFLOW APPLICATION.
 - STACKING HEIGHT AND MATING LENGTH IS DETERMINED BY CUSTOMER;
 - PRODUCT DESCRIPTION:

10170636- X X XX XX X LF

- LEAD FREE OPTION
- PACKING TYPE:
U= TUBE
P= TUBE WITH CAP
A= TAPE REEL WITH CAP
- PIN NUMBER:
04: 2X2
06: 2X3
...
28: 2X14
30: 2X15
40: 2X20
50: 2X25
- MATING LENGTH (DIM.A)&
STACKING HEIGHT (DIM.B):
SEE SHEET2
- PLATING:
0= 1.27um MATTE TIN OVERALL
1= GOLD FLASH ON CINTACT AREA
1.27um MIN. MATTE TIN ON SOLDER AREA
- POST OPTION:
0= WITHOUT POST
1= WITH POST

spec ref	dr	Tian-Yu Tang	2023/05/29	projection	MM	size	A3	scale	1:1
tolerance std	eng	Sanford Lu	2023/05/30			ecn no		rel level	
ISO 406 ISO 1101	chr	-	-			Released			
surface	linear	0.X	±0.35			MINITEK 1.27 HEADER VERTICAL SAMT TYPE		dwg no 10170636 rev A	
		0.XX	±0.25						
0.XXX	±0.15								
ISO 1312	angular	0°	±3°	amphenol-icc.com		cat. no.		Product - Customer Drw	

TABLE 1

P/N	POS.	DIM.C	DIM.D	DIM.E	
				WITHOUT POST	WITH POST
10170636-XXXX04XLF	2 X 2	2.54	1.27	/	/
10170636-XXXX06XLF	2 X 3	3.81	2.54		1.27
10170636-XXXX08XLF	2 X 4	5.08	3.81		2.54
10170636-XXXX10XLF	2 X 5	6.35	5.08		3.81
10170636-XXXX12XLF	2 X 6	7.62	6.35		5.08
10170636-XXXX14XLF	2 X 7	8.89	7.62		6.35
10170636-XXXX16XLF	2 X 8	10.16	8.89		7.62
10170636-XXXX18XLF	2 X 9	11.43	10.16		8.89
10170636-XXXX20XLF	2 X 10	12.7	11.43		10.16
10170636-XXXX22XLF	2 X 11	13.97	12.7		11.43
10170636-XXXX24XLF	2 X 12	15.24	13.97		12.7
10170636-XXXX26XLF	2 X 13	16.51	15.24		13.97
10170636-XXXX28XLF	2 X 14	17.78	16.51		15.24
10170636-XXXX30XLF	2 X 15	19.05	17.78		16.51
10170636-XXXX40XLF	2 X 20	25.4	24.13		22.86
10170636-XXXX50XLF	2 X 25	31.75	30.48	29.21	

TABLE 2

ITEM		DIM A				
		6.15	7.11	8.05	9.11	10
DIM B	3.50	A1	A2	A3	A4	A5
	4.50	/	B2	B3	B4	B5
	5.50	/	/	C3	C4	C5
	6.50	/	/	/	D4	D5
	7.50	/	/	/	/	E5

spec ref		dr	Tian-Yu Tang	2023/05/29	projection 	MM 	size	A3	scale	1:1
tolerance std ISO 406 ISO 1101		eng	Sanford Lu	2023/05/30			ecn no			
TOLERANCES UNLESS OTHERWISE SPECIFIED		chr	-	-	product family		rel level	Released		
		appr	Tim Yao	2023/05/30	-					
surface	 linear angular	0.X	±0.35	 MINITEK 1.27 HEADER VERTICAL SAMT TYPE		cat. no. - Product - Customer Drw	dwg no 10170636	rev	A	
0.XX		±0.25								
0.XXX		±0.15								
ISO 1312	0°	±3°	amphenol-icc.com	sheet 2 of 2						