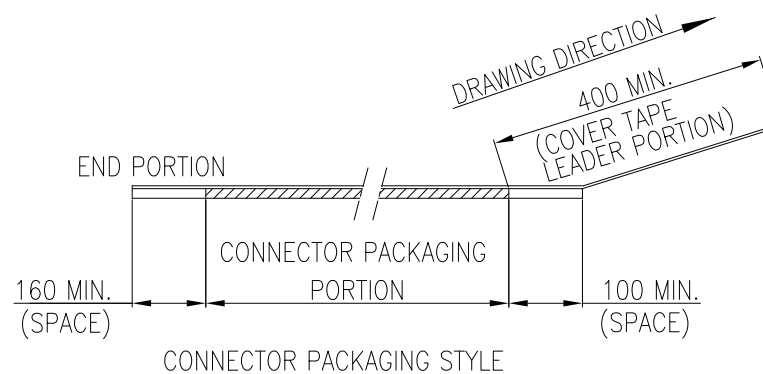
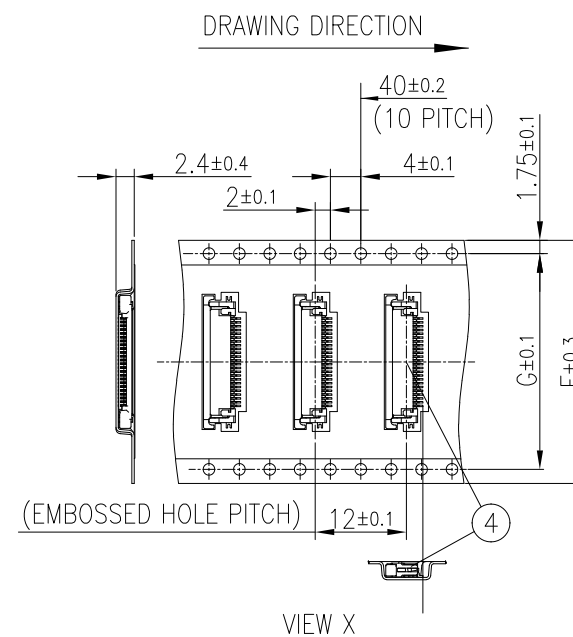
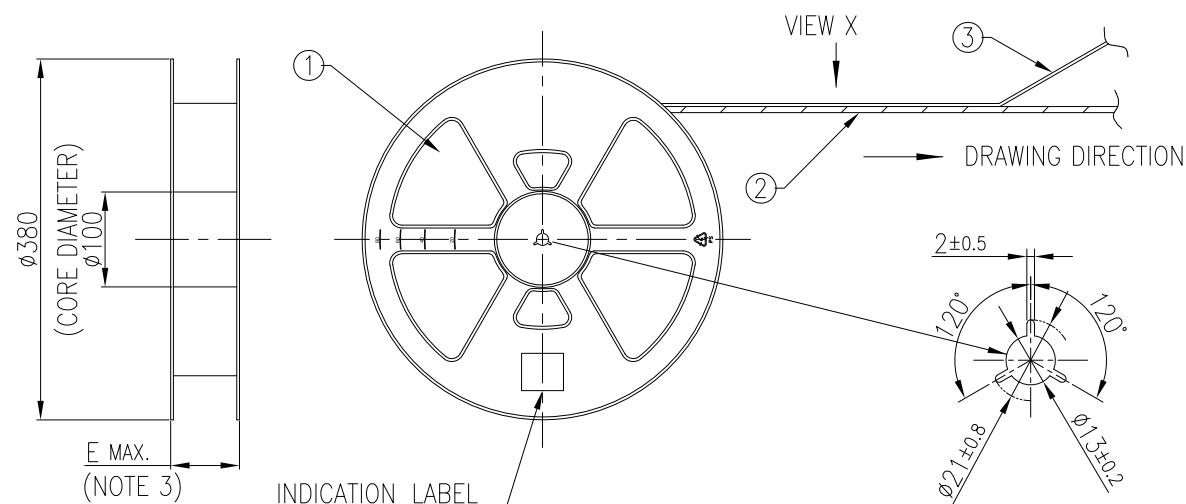


PRODUCT NO.
SFV__R-3STE1HLF
SFV__R-3STAE1HLF
SFV__R-3STBE1HLF

CAT. NO. & DIMENSIONS

NO. OF CONT (n)	CAT. NO.	DIMENSIONS		
		E	F	G
4	SFV4R-3ST_E1HLF	22.4	16	—
5	SFV5R-3ST_E1HLF	22.4	16	—
6	SFV6R-3ST_E1HLF	22.4	16	—
7	SFV7R-3ST_E1HLF	30.4	24	—
8	SFV8R-3ST_E1HLF	30.4	24	—
9	SFV9R-3ST_E1HLF	30.4	24	—
10	SFV10R-3ST_E1HLF	30.4	24	—
11	SFV11R-3ST_E1HLF	30.4	24	—
12	SFV12R-3ST_E1HLF	30.4	24	—
13	SFV13R-3ST_E1HLF	30.4	24	—
14	SFV14R-3ST_E1HLF	30.4	24	—
15	SFV15R-3ST_E1HLF	30.4	24	—
16	SFV16R-3ST_E1HLF	30.4	24	—
17	SFV17R-3ST_E1HLF	30.4	24	—
18	SFV18R-3ST_E1HLF	30.4	24	—
19	SFV19R-3ST_E1HLF	30.4	24	—
20	SFV20R-3ST_E1HLF	30.4	24	—
21	SFV21R-3ST_E1HLF	30.4	24	—
22	SFV22R-3ST_E1HLF	30.4	24	—
23	SFV23R-3ST_E1HLF	38.4	32	28.4
24	SFV24R-3ST_E1HLF	38.4	32	28.4
25	SFV25R-3ST_E1HLF	38.4	32	28.4
26	SFV26R-3ST_E1HLF	38.4	32	28.4
27	SFV27R-3ST_E1HLF	38.4	32	28.4
28	SFV28R-3ST_E1HLF	38.4	32	28.4
29	SFV29R-3ST_E1HLF	38.4	32	28.4
30	SFV30R-3ST_E1HLF	38.4	32	28.4
31	SFV31R-3ST_E1HLF	50.4	44	40.4
32	SFV32R-3ST_E1HLF	50.4	44	40.4
33	SFV33R-3ST_E1HLF	50.4	44	40.4
34	SFV34R-3ST_E1HLF	50.4	44	40.4
35	SFV35R-3ST_E1HLF	50.4	44	40.4

FOR E1 PACKAGING OPTION



MATERIAL TABLE

PT. NO.	PARTS NAME	CAT. NO.	MATERIAL	COLOR
1	REEL		△ POLYSTYRENE	△ BLACK
2	EMBOSS TAPE		PS	TRANSPARENT
3	COVER TAPE		POLYESTER,POLYETHYLENE	TRANSPARENT
4	CONNECTOR	SFV__R-3ST__HLF	SEE SHEET 2	

PACKAGING OPTION TABLE

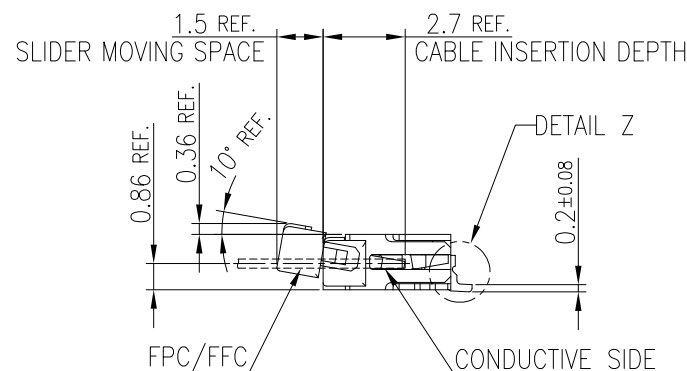
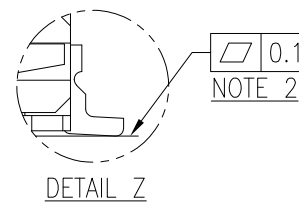
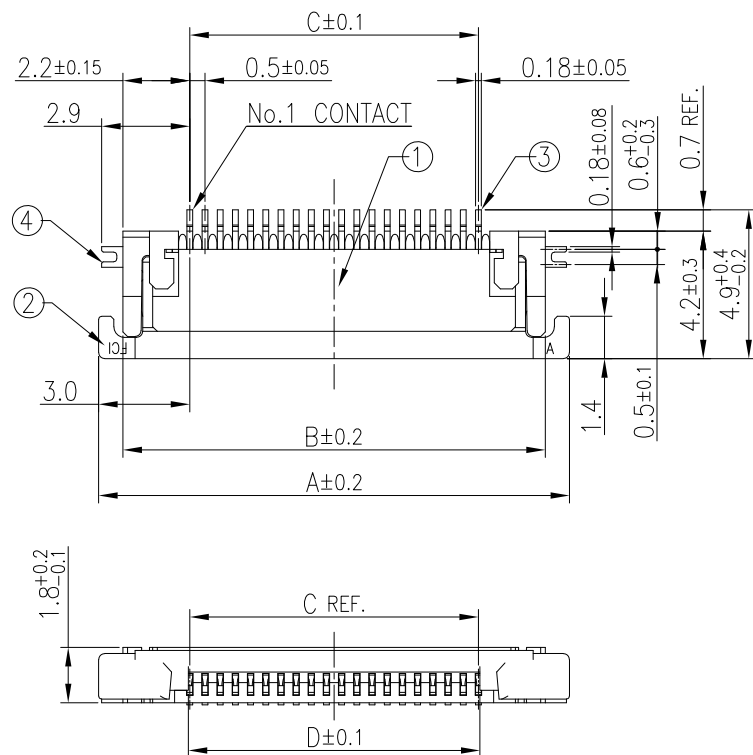
PRODUCT NUMBER	PACKAGING OPTION	REEL MATERIAL	REEL DIAMETER	CONNECTOR QUANTITY
SFV__R-3STE1HLF	E1	△ PLASTIC	△ ø380	3000 / REEL
SFV__R-3STAE1HLF				
SFV__R-3STBE1HLF				

NOTES

- THIS IS PLASTIC TAPE PACKAGED CONNECTOR DESIGNED TO TERMINATE FPC/FFC AND COPES WITH AUTOMATIC MOUNTING (SMT).
- SEE JIS C 0806 (PACKING OF ELECTRONIC COMPONENTS ON CONTINUOUS TAPES (SURFACE MOUNTING DEVICES)) FOR SHAPE AND DIMENSIONS OF PLASTIC (EMBOSS) TAPE AND REEL.
- E DIMENSION IS PORTION OF THE CORE.

mat'l. code SEE_TABLE		surface ISO 1302 ✓		tolerance ISO 406 ISO 1101		projection MM		product family 58EF	
ltr A		ecn no S.W.		dr 2023-12-21		date 2023-12-21		title PLASTIC TAPE PACKAGED 0.5MM CONTACT SPACING CONNECTOR (Cat. No. SFV__R-3ST_E1HLF)	
		angles 0°±5'		linear 0.X/±0.5 0.XX/±0.5 0.XXX/±0.5		scale N/A		dwg no sheet 1 of 5 size A3	
		dr S.WATANABE		2023-12-21		enr S.WATANABE		2023-12-21	
		chr AN.MOHAMMAD-NABEEL		2023-12-21		app Y.KAMEDA		2023-12-21	
sheet index		revision sheet		A 1		A 2		A 3	
				A 4		A 5			

PRODUCT NO.
SFV__R-3ST__HLF
SFV__R-3STA__HLF
SFV__R-3STB__HLF



CAT. NO. & DIMENSIONS

NO. OF CONT (n)	CAT. NO.	DIMENSIONS			
		A	B	C	D
4	SFV4R-3ST__HLF	7.5	5.9	1.5	1.6
5	SFV5R-3ST__HLF	8.0	6.4	2.0	2.1
6	SFV6R-3ST__HLF	8.5	6.9	2.5	2.6
7	SFV7R-3ST__HLF	9.0	7.4	3.0	3.1
8	SFV8R-3ST__HLF	9.5	7.9	3.5	3.6
9	SFV9R-3ST__HLF	10.0	8.4	4.0	4.1
10	SFV10R-3ST__HLF	10.5	8.9	4.5	4.6
11	SFV11R-3ST__HLF	11.0	9.4	5.0	5.1
12	SFV12R-3ST__HLF	11.5	9.9	5.5	5.6
13	SFV13R-3ST__HLF	12.0	10.4	6.0	6.1
14	SFV14R-3ST__HLF	12.5	10.9	6.5	6.6
15	SFV15R-3ST__HLF	13.0	11.4	7.0	7.1
16	SFV16R-3ST__HLF	13.5	11.9	7.5	7.6
17	SFV17R-3ST__HLF	14.0	12.4	8.0	8.1
18	SFV18R-3ST__HLF	14.5	12.9	8.5	8.6
19	SFV19R-3ST__HLF	15.0	13.4	9.0	9.1
20	SFV20R-3ST__HLF	15.5	13.9	9.5	9.6
21	SFV21R-3ST__HLF	16.0	14.4	10.0	10.1
22	SFV22R-3ST__HLF	16.5	14.9	10.5	10.6
23	SFV23R-3ST__HLF	17.0	15.4	11.0	11.1
24	SFV24R-3ST__HLF	17.5	15.9	11.5	11.6
25	SFV25R-3ST__HLF	18.0	16.4	12.0	12.1
26	SFV26R-3ST__HLF	18.5	16.9	12.5	12.6
27	SFV27R-3ST__HLF	19.0	17.4	13.0	13.1
28	SFV28R-3ST__HLF	19.5	17.9	13.5	13.6
29	SFV29R-3ST__HLF	20.0	18.4	14.0	14.1
30	SFV30R-3ST__HLF	20.5	18.9	14.5	14.6
31	SFV31R-3ST__HLF	21.0	19.4	15.0	15.1
32	SFV32R-3ST__HLF	21.5	19.9	15.5	15.6
33	SFV33R-3ST__HLF	22.0	20.4	16.0	16.1
34	SFV34R-3ST__HLF	22.5	20.9	16.5	16.6
35	SFV35R-3ST__HLF	23.0	21.4	17.0	17.1

MATERIAL TABLE

PT. NO.	PARTS NAME	MATERIAL	Q'TY	NOTE
1	HOUSING	13~35pin : LCP RESIN GLASS REINFORCED (UL94V-0)	1	COLOR : BLACK (HALOGEN FREE)
		4~12pin : POLYAMIDE RESIN GLASS REINFORCED (UL94V-0)		
2	SLIDER	PPS RESIN GLASS REINFORCED (UL94V-0)	1	COLOR : GRAY (HALOGEN FREE)
3	CONTACT	PHOSPHOR BRONZE	n	PLATING : SEE PLATING OPTION (LEAD FREE)
4	MOUNTING PLATE		2	PLATING : MATTE TIN 1.5um min (LEAD FREE) NICKEL UNDER PLATING 1.27um min.

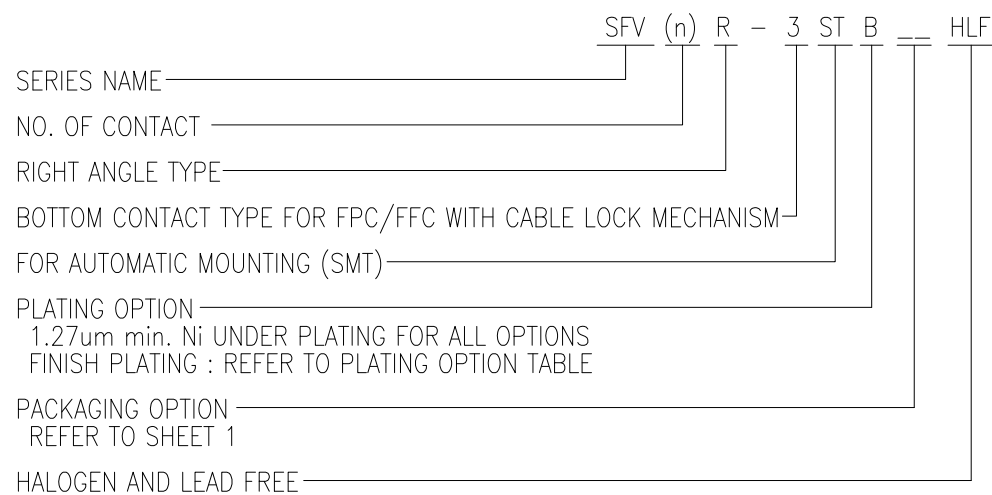
n : NO. OF CONTACTS

NOTES

- THIS PRODUCT IS THE BOTTOM CONTACT TYPE CONNECTOR WITH CABLE LOCK MECHANISM DESIGNED TO TERMINATE FPC/FFC AND COPES WITH AUTOMATIC MOUNTING (SMT).
- FLATNESS OF CONTACT TERMINAL AND MOUNTING PLATE TO HOUSING MUST BE WITHIN TOLERANCE IN Z PORTION DETAILED DRAWING.
- THIS PRODUCT MEETS EUROPEAN UNION DIRECTIVES AND OTHER COUNTRY REGULATIONS AS DESCRIBED IN GS47-0004.
- THE HOUSING WILL WITHSTAND EXPOSURE TO 260°C PEAK TEMPERATURE FOR 10 SECONDS IN A REFLOW SOLDERING OVEN.
- APPLICATION SPEC : BJM-SFV102. PRODUCT SPEC : REFER TO PLATING OPTION TABLE.
- CATALOG NUMBER STRUCTURE IS AS FOLLOWINGS.

PLATING OPTION TABLE

PRODUCT NUMBER	PLATING OPTION	CONTACT PLATING	TERMINAL PLATING	PRODUCT SPEC
SFV__R-3ST__HLF	BRANK	MATTE THIN TIN PLATING	MATTE TIN : 1um min.	GS-12-0844
SFV__R-3STA__HLF	A	GOLD : 0.05um min.	MATTE TIN : 1.5um min.	GS-12-0783
SFV__R-3STB__HLF	B	GOLD : 0.05um min. WITH Ni DAM	GOLD : 0.05um min.	GS-12-0783



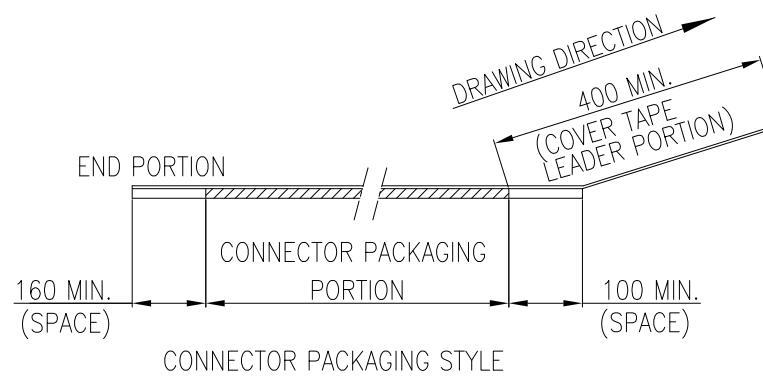
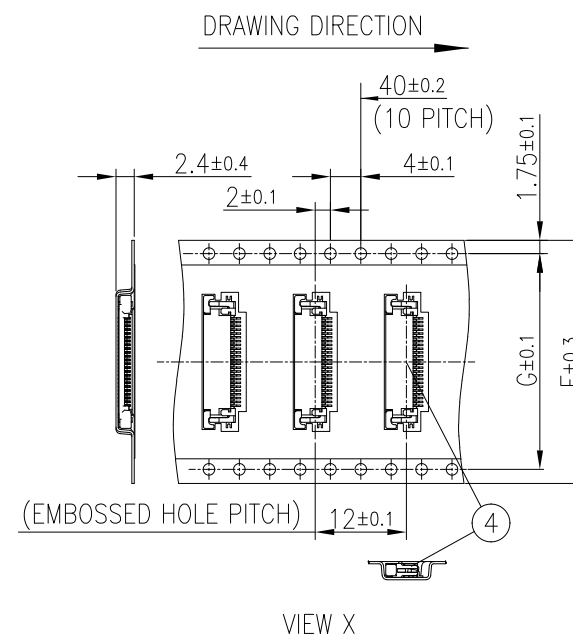
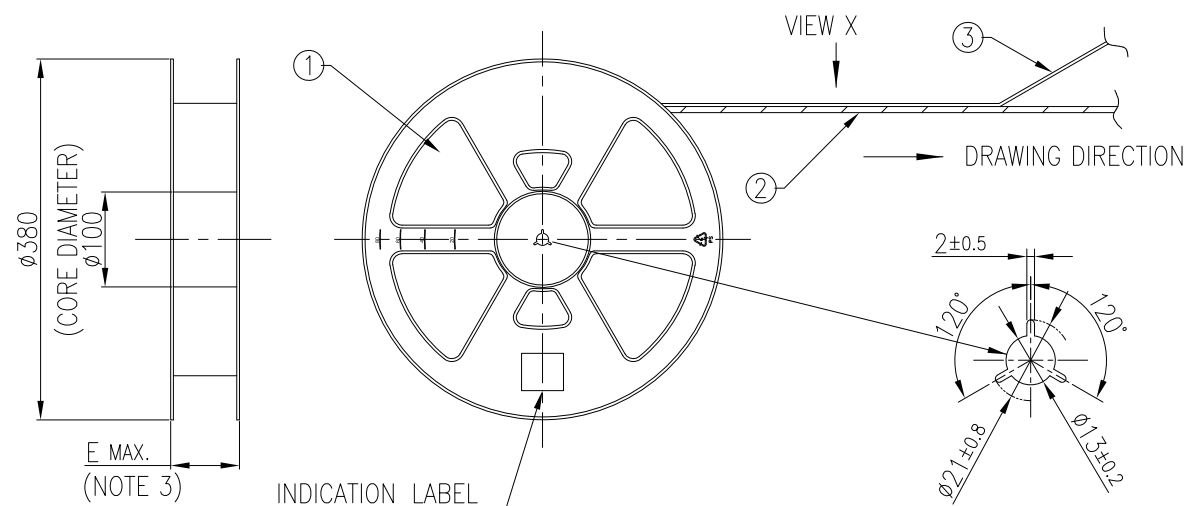
mat'l. code		surface		tolerance		projection		product family	
SEE_TABLE		ISO 1302 ✓		ISO 406 ISO 1101				58EF	
ltr		ecn no		dr		date		title	
A								CONNECTOR USED FOR FPC/FFC WITH 0.5MM CONTACT SPACING (Cat. No. SFV__R-3ST__HLF)	
				angles		linear		MM	
				0°±2'		0.X/±0.2		scale 4:1	
				0.XX/±0.2		0.XXX/±0.2			
		dr		S.WATANABE		2023-12-21		dwg no	
		enrg		S.WATANABE		2023-12-21		sheet 2 of 5	
		chr		AN.MOHAMMAD-NABEEL		2023-12-21		size	
		appd		Y.KAMEDA		2023-12-21		A3	
sheet index		revision sheet						type	
								PRODUCT CUSTOMER DRAWING	

PRODUCT NO.
SFV__R-4STE1HLF
SFV__R-4STAE1HLF
SFV__R-4STBE1HLF

CAT. NO. & DIMENSIONS

NO. OF CONT (n)	CAT. NO.	DIMENSIONS		
		△E	F	G
4	SFV4R-4ST_E1HLF	22.4	16	—
5	SFV5R-4ST_E1HLF	22.4	16	—
6	SFV6R-4ST_E1HLF	22.4	16	—
7	SFV7R-4ST_E1HLF	30.4	24	—
8	SFV8R-4ST_E1HLF	30.4	24	—
9	SFV9R-4ST_E1HLF	30.4	24	—
10	SFV10R-4ST_E1HLF	30.4	24	—
11	SFV11R-4ST_E1HLF	30.4	24	—
12	SFV12R-4ST_E1HLF	30.4	24	—
13	SFV13R-4ST_E1HLF	30.4	24	—
14	SFV14R-4ST_E1HLF	30.4	24	—
15	SFV15R-4ST_E1HLF	30.4	24	—
16	SFV16R-4ST_E1HLF	30.4	24	—
17	SFV17R-4ST_E1HLF	30.4	24	—
18	SFV18R-4ST_E1HLF	30.4	24	—
19	SFV19R-4ST_E1HLF	30.4	24	—
20	SFV20R-4ST_E1HLF	30.4	24	—
21	SFV21R-4ST_E1HLF	30.4	24	—
22	SFV22R-4ST_E1HLF	30.4	24	—
23	SFV23R-4ST_E1HLF	38.4	32	28.4
24	SFV24R-4ST_E1HLF	38.4	32	28.4
25	SFV25R-4ST_E1HLF	38.4	32	28.4
26	SFV26R-4ST_E1HLF	38.4	32	28.4
27	SFV27R-4ST_E1HLF	38.4	32	28.4
28	SFV28R-4ST_E1HLF	38.4	32	28.4
29	SFV29R-4ST_E1HLF	38.4	32	28.4
30	SFV30R-4ST_E1HLF	38.4	32	28.4
31	SFV31R-4ST_E1HLF	50.4	44	40.4
32	SFV32R-4ST_E1HLF	50.4	44	40.4
33	SFV33R-4ST_E1HLF	50.4	44	40.4
34	SFV34R-4ST_E1HLF	50.4	44	40.4
35	SFV35R-4ST_E1HLF	50.4	44	40.4

△ FOR E1 PACKAGING OPTION



MATERIAL TABLE

PT. NO.	PARTS NAME	CAT. NO.	MATERIAL	COLOR
1	REEL		△ POLYSTYRENE	△ BLACK
2	EMBOSS TAPE		PS	TRANSPARENT
3	COVER TAPE		POLYESTER,POLYETHYLENE	TRANSPARENT
4	CONNECTOR	SFV__R-4ST__HLF	SEE SHEET 4	

PACKAGING OPTION TABLE

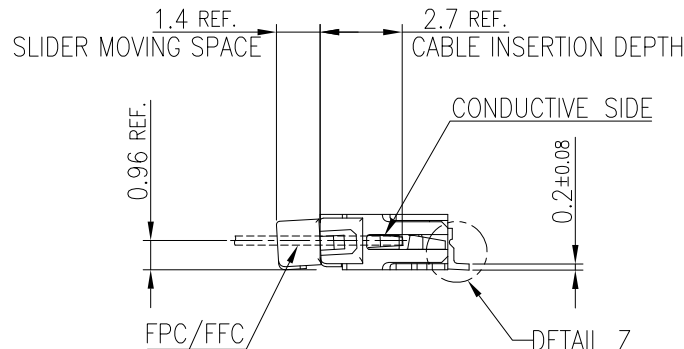
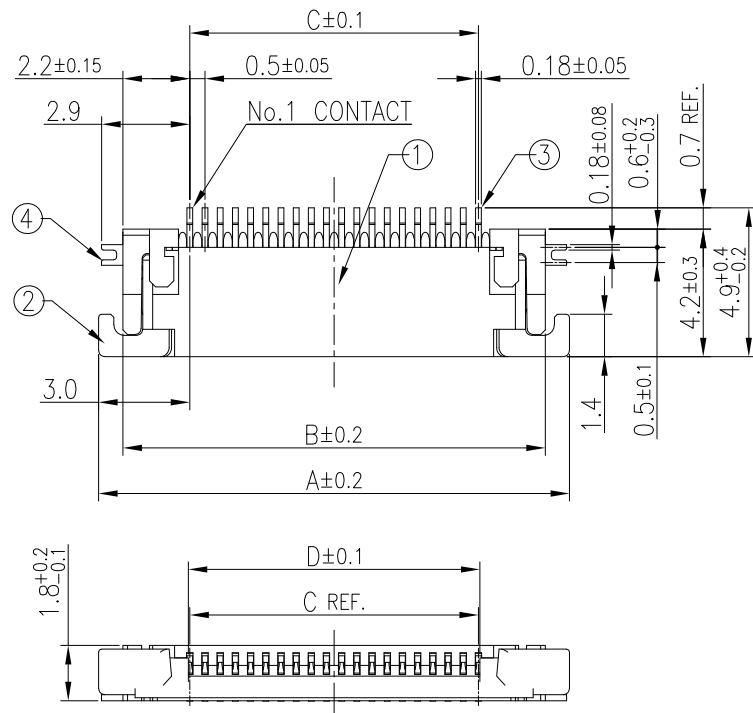
PRODUCT NUMBER	PACKAGING OPTION	REEL MATERIAL	REEL DIAMETER	CONNECTOR QUANTITY
SFV__R-4STE1HLF	E1	△ PLASTIC	△ ø380	3000 / REEL
SFV__R-4STAE1HLF				
SFV__R-4STBE1HLF				

NOTES

- THIS IS PLASTIC TAPE PACKAGED CONNECTOR DESIGNED TO TERMINATE FPC/FFC AND COPES WITH AUTOMATIC MOUNTING (SMT).
- SEE JIS C 0806 (PACKING OF ELECTRONIC COMPONENTS ON CONTINUOUS TAPES (SURFACE MOUNTING DEVICES)) FOR SHAPE AND DIMENSIONS OF PLASTIC (EMBOSS) TAPE AND REEL.
- E DIMENSION IS PORTION OF THE CORE.

mat'l. code SEE_TABLE		surface ISO 1302 ✓	tolerance ISO 406 ISO 1101	projection MM	product family 58EF
ltr	ecn no	dr	date	tolerances unless otherwise specified	title PLASTIC TAPE PACKAGED 0.5MM CONTACT SPACING CONNECTOR (Cat. No. SFV__R-4ST_E1HLF)
A				angles linear 0°±5'	
				0.X/±0.5 0.XX/±0.5 0.XXX/±0.5	scale N/A
		dr	S.WATANABE	2023-12-21	Amphenol FCI dwg no 10171071 sheet 3 of 5 size A3 type PRODUCT CUSTOMER DRAWING
		enr	S.WATANABE	2023-12-21	
		chr	AN.MOHAMMAD-NABEEL	2023-12-21	
		app	Y.KAMEDA	2023-12-21	
sheet index	revision sheet				

PRODUCT NO.
SFV__R-4ST__HLF
SFV__R-4STA__HLF
SFV__R-4STB__HLF



CAT. NO. & DIMENSIONS

NO. OF CONT (n)	CAT. NO.	DIMENSIONS			
		A	B	C	D
4	SFV4R-4ST__HLF	7.5	5.9	1.5	1.6
5	SFV5R-4ST__HLF	8.0	6.4	2.0	2.1
6	SFV6R-4ST__HLF	8.5	6.9	2.5	2.6
7	SFV7R-4ST__HLF	9.0	7.4	3.0	3.1
8	SFV8R-4ST__HLF	9.5	7.9	3.5	3.6
9	SFV9R-4ST__HLF	10.0	8.4	4.0	4.1
10	SFV10R-4ST__HLF	10.5	8.9	4.5	4.6
11	SFV11R-4ST__HLF	11.0	9.4	5.0	5.1
12	SFV12R-4ST__HLF	11.5	9.9	5.5	5.6
13	SFV13R-4ST__HLF	12.0	10.4	6.0	6.1
14	SFV14R-4ST__HLF	12.5	10.9	6.5	6.6
15	SFV15R-4ST__HLF	13.0	11.4	7.0	7.1
16	SFV16R-4ST__HLF	13.5	11.9	7.5	7.6
17	SFV17R-4ST__HLF	14.0	12.4	8.0	8.1
18	SFV18R-4ST__HLF	14.5	12.9	8.5	8.6
19	SFV19R-4ST__HLF	15.0	13.4	9.0	9.1
20	SFV20R-4ST__HLF	15.5	13.9	9.5	9.6
21	SFV21R-4ST__HLF	16.0	14.4	10.0	10.1
22	SFV22R-4ST__HLF	16.5	14.9	10.5	10.6
23	SFV23R-4ST__HLF	17.0	15.4	11.0	11.1
24	SFV24R-4ST__HLF	17.5	15.9	11.5	11.6
25	SFV25R-4ST__HLF	18.0	16.4	12.0	12.1
26	SFV26R-4ST__HLF	18.5	16.9	12.5	12.6
27	SFV27R-4ST__HLF	19.0	17.4	13.0	13.1
28	SFV28R-4ST__HLF	19.5	17.9	13.5	13.6
29	SFV29R-4ST__HLF	20.0	18.4	14.0	14.1
30	SFV30R-4ST__HLF	20.5	18.9	14.5	14.6
31	SFV31R-4ST__HLF	21.0	19.4	15.0	15.1
32	SFV32R-4ST__HLF	21.5	19.9	15.5	15.6
33	SFV33R-4ST__HLF	22.0	20.4	16.0	16.1
34	SFV34R-4ST__HLF	22.5	20.9	16.5	16.6
35	SFV35R-4ST__HLF	23.0	21.4	17.0	17.1

MATERIAL TABLE

PT. NO.	PARTS NAME	MATERIAL	Q'TY	NOTE
1	HOUSING	13~35pin : LCP RESIN GLASS REINFORCED (UL94V-0)	1	COLOR : BLACK (HALOGEN FREE)
		4~12pin : POLYAMIDE RESIN GLASS REINFORCED (UL94V-0)		
2	SLIDER	PPS RESIN GLASS REINFORCED (UL94V-0)	1	COLOR : GRAY (HALOGEN FREE)
3	CONTACT	PHOSPHOR BRONZE	n	PLATING : SEE PLATING OPTION (LEAD FREE)
4	MOUNTING PLATE		2	PLATING : MATTE TIN 1.5um min (LEAD FREE) NICKEL UNDER PLATING 1.27um min.

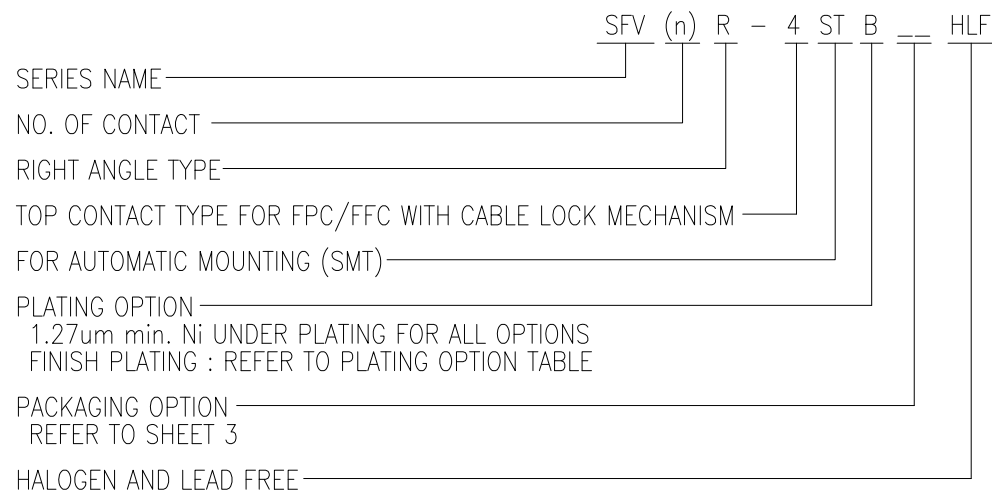
n : NO. OF CONTACTS

NOTES

- THIS PRODUCT IS THE TOP CONTACT TYPE CONNECTOR WITH CABLE LOCK MECHANISM DESIGNED TO TERMINATE FPC/FFC AND COPES WITH AUTOMATIC MOUNTING (SMT).
- FLATNESS OF CONTACT TERMINAL AND MOUNTING PLATE TO HOUSING MUST BE WITHIN TOLERANCE IN Z PORTION DETAILED DRAWING.
- THIS PRODUCT MEETS EUROPEAN UNION DIRECTIVES AND OTHER COUNTRY REGULATIONS AS DESCRIBED IN GS47-0004.
- THE HOUSING WILL WITHSTAND EXPOSURE TO 260°C PEAK TEMPERATURE FOR 10 SECONDS IN A REFLOW SOLDERING OVEN.
- APPLICATION SPEC : BJM-SFV102. PRODUCT SPEC : REFER TO PLATING OPTION TABLE.
- CATALOG NUMBER STRUCTURE IS AS FOLLOWINGS.

PLATING OPTION TABLE

PRODUCT NUMBER	PLATING OPTION	CONTACT PLATING	TERMINAL PLATING	PRODUCT SPEC
SFV__R-4ST__HLF	BRANK	MATTE THIN TIN PLATING	MATTE TIN : 1um min.	GS-12-0844
SFV__R-4STA__HLF	A	GOLD : 0.05um min.	MATTE TIN : 1.5um min.	GS-12-0783
SFV__R-4STB__HLF	B	GOLD : 0.05um min. WITH Ni DAM	GOLD : 0.05um min.	GS-12-0783



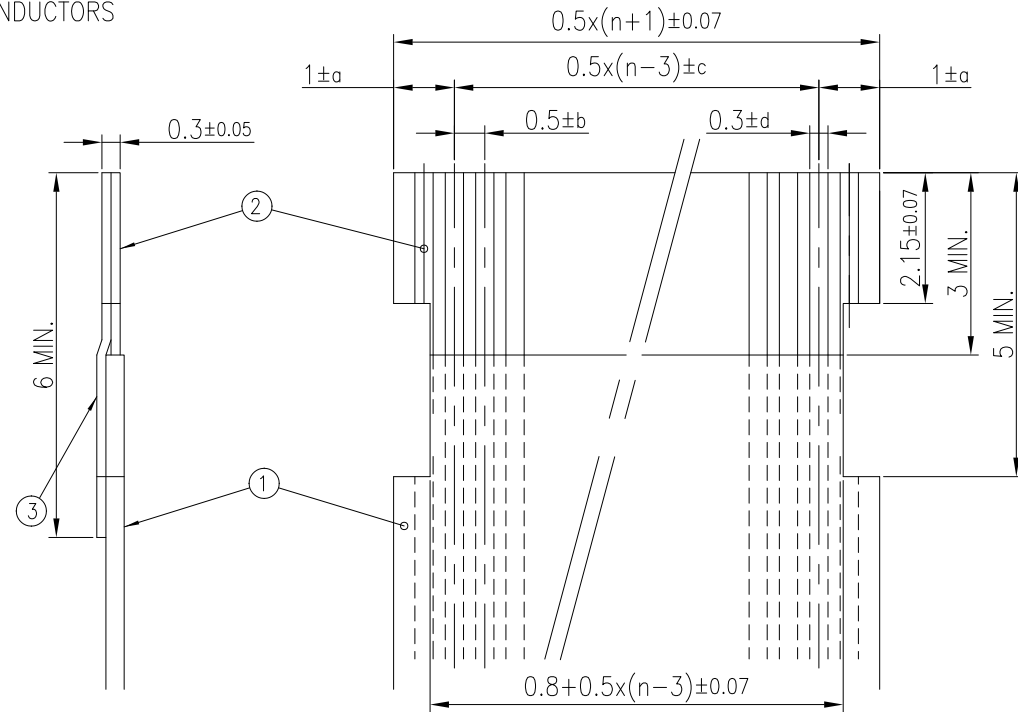
mat'l. code SEE_TABLE		surface ISO 1302 <input checked="" type="checkbox"/> ISO 406 ISO 1101	tolerance ISO 1302 <input checked="" type="checkbox"/> ISO 406 ISO 1101	projection 	product family 58EF
ltr	ecn no	dr	date	tolerances unless otherwise specified	title CONNECTOR USED FOR FPC/FFC WITH 0.5MM CONTACT SPACING (Cat. No. SFV__R-4ST__HLF)
A				angles linear 0.X/±0.2 0.XX/±0.2 0.XXX/±0.2	
sheet index		revision sheet		scale 4:1	dwg no 10171071
					sheet 4 of 5 size A3
					type PRODUCT CUSTOMER DRAWING



RECOMMENDED CABLE (FFC)

(NOTE1, NOTE2, NOTE7)

n : NO. OF CONDUCTORS



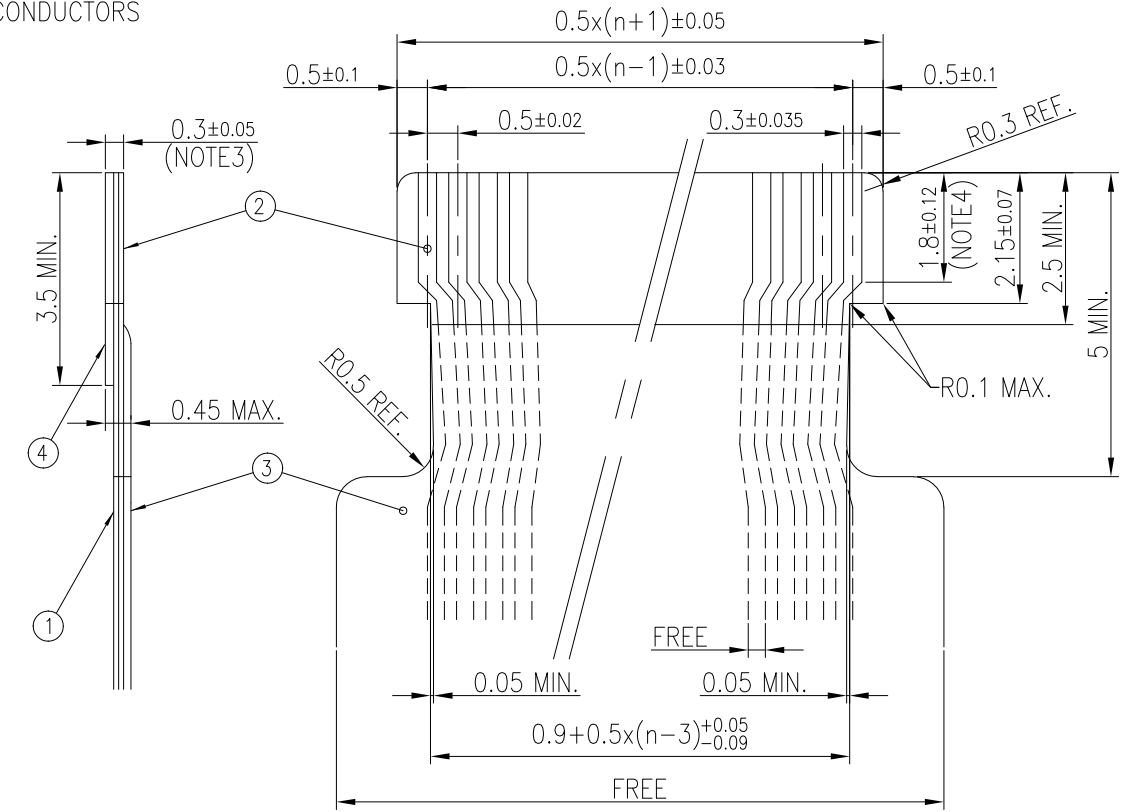
(NOTE5)	a	b	c	d
1	±0.07	±0.04	±0.05	±0.02
2	±0.1	±0.03	±0.03	±0.025

PT. NO.	DESCRIPTION	MATERIAL
1	INSULATOR	FLAME RESISTING POLYESTER OR EQUIVALENT
2	CONDUCTOR	COPPER FOIL (PLATING : TIN OR GOLD) (NOTE6)
3	SUPPORTING TAPE	FLAME RESISTING POLYESTER OR EQUIVALENT

RECOMMENDED CABLE (FPC)

(NOTE1, NOTE2)

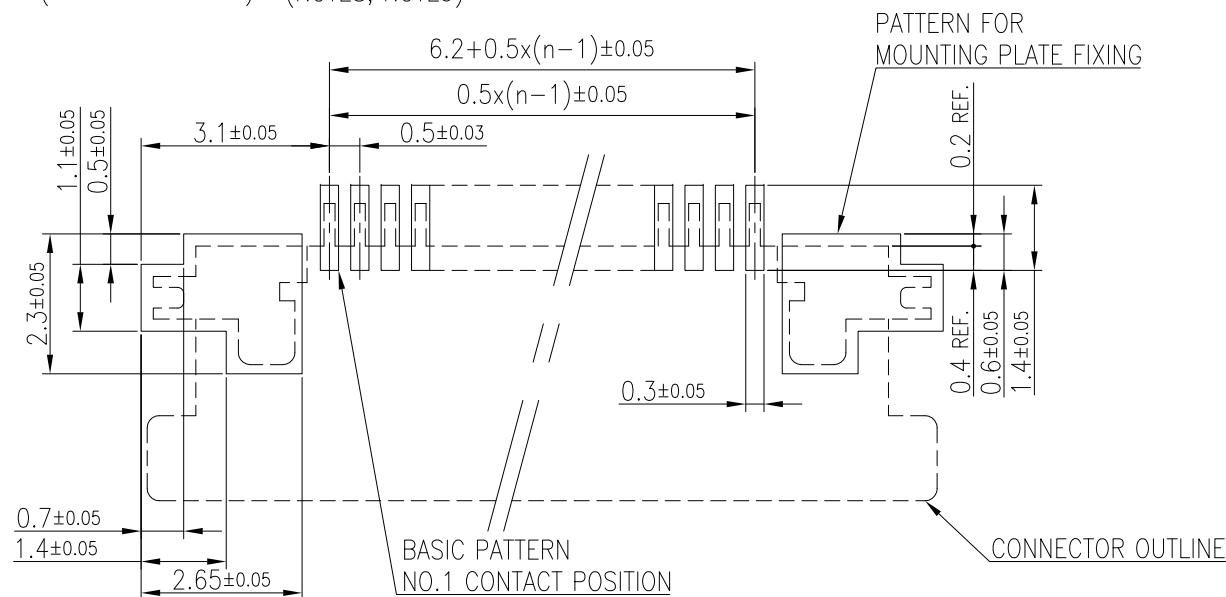
n : NO. OF CONDUCTORS



PT. NO.	DESCRIPTION	MATERIAL	THICKNESS (um)
1	BASE FILM	POLYIMIDE OR POLYESTER OR EQUIVALENT	25
2	CONDUCTOR	COPPER FOIL (PLATING : TIN OR GOLD) (NOTE6)	35
3	OVERLAY	POLYIMIDE OR POLYESTER OR EQUIVALENT	—
4	SUPPORTING TAPE	POLYESTER OR POLYIMIDE OR EQUIVALENT	188

RECOMMENDED PC BOARD LAYOUT

(COMPONENT SIDE) (NOTE8, NOTE9)



NOTES

- NO BURR AT EACH PORTION.
- NO PEELING IN COMMON USE.
- TOTAL THICKNESS LIMIT OF EACH MATERIAL (INCLUDING ADHESIVE AGENT) IS SPECIFIED.
- THIS DIMENSION IS APPLIED FOR 0.3±0.035 CONDUCTOR WIDTH.
- BOTH COMBINATIONS ARE ALLOWED.
- FINISH PLATING OF CABLE CONDUCTOR AND CONTACT SHOULD BE MATCHED.
- WHEN USING FFC CABLE, CONDUCTORS ON BOTH ENDS CANNOT BE USED AS CIRCUIT. IF CUSTOMER NEEDS 20 ACTIVE PINS, SELECT 22 PIN CONNECTOR.
- RECOMMENDED STENCIL THICKNESS IS 120~150um.
- RECOMMENDED STENCIL OPENING RATIO IS 100%.

mat'l. code SEE_TABLE		surface ISO 1302 ✓	tolerance ISO 406 ISO 1101	projection MM	product family 58EF
ltr	ecn no	dr	date	tolerances unless otherwise specified	title RECOMMENDED CABLE AND PCB (Cat. No. SFV__R-3/4ST_E1HLF)
A				angles linear 0°±2'	scale 8:1
		dr	S.WATANABE	2023-12-21	dwg no
		enr	S.WATANABE	2023-12-21	sheet 5 of 5
		chr	AN.MOHAMMAD-NABEEL	2023-12-21	size A3
		app	Y.KAMEDA	2023-12-21	type PRODUCT CUSTOMER DRAWING
sheet index	revision sheet				