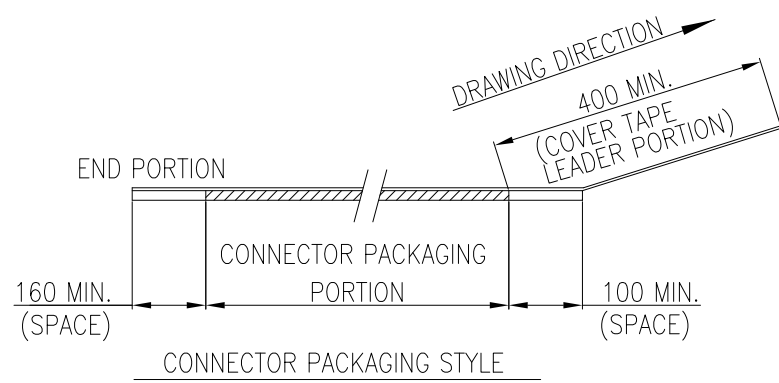
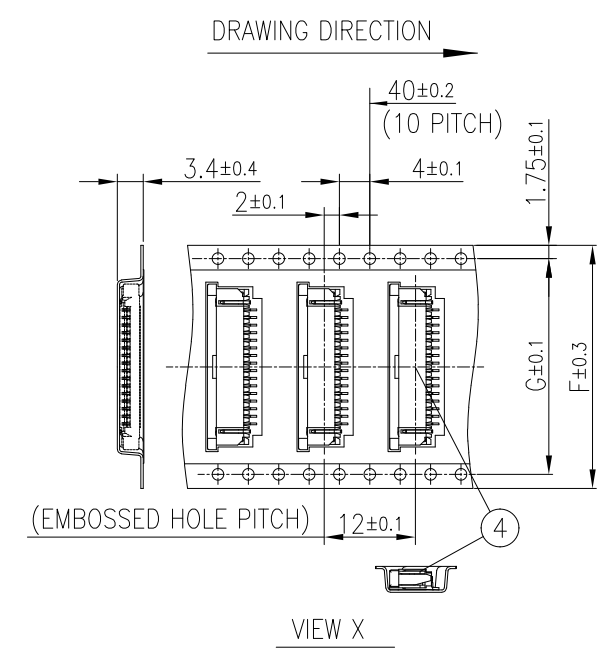
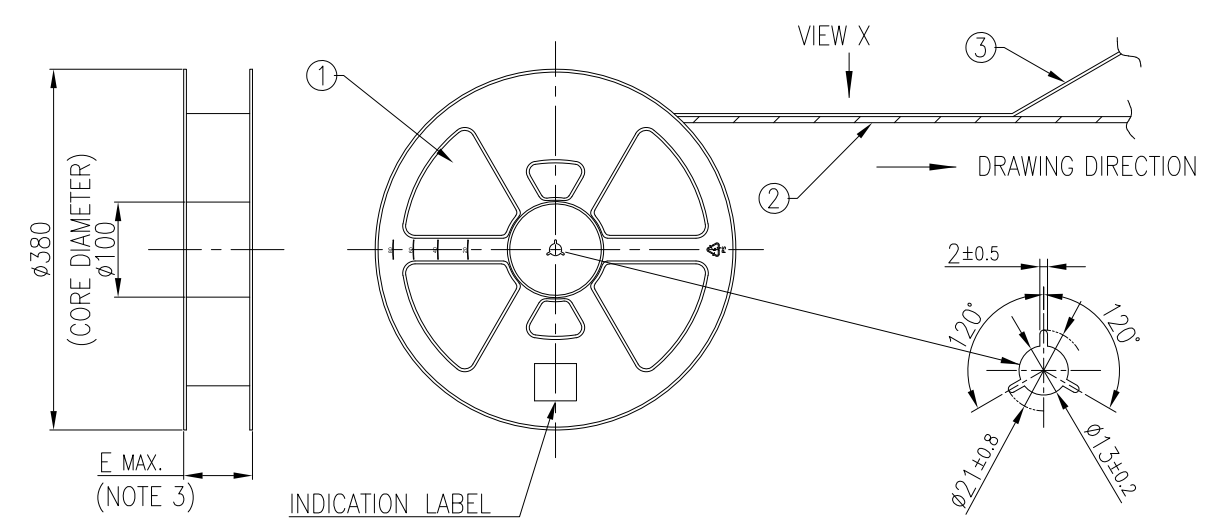


PRODUCT NO.
SFW__R-3STE1LF
SFW__R-3STAE1LF
SFW__R-3STGE1LF

CAT. NO. & DIMENSIONS

NO. OF CONT (n)	CAT. NO.	DIMENSIONS		
		△E	F	G
4	SFW4R-3ST_E1LF	22.4	16	—
5	SFW5R-3ST_E1LF	30.4	24	—
6	SFW6R-3ST_E1LF	30.4	24	—
7	SFW7R-3ST_E1LF	30.4	24	—
8	SFW8R-3ST_E1LF	30.4	24	—
9	SFW9R-3ST_E1LF	30.4	24	—
10	SFW10R-3ST_E1LF	30.4	24	—
11	SFW11R-3ST_E1LF	30.4	24	—
12	SFW12R-3ST_E1LF	30.4	24	—
13	SFW13R-3ST_E1LF	38.4	32	28.4
14	SFW14R-3ST_E1LF	38.4	32	28.4
15	SFW15R-3ST_E1LF	38.4	32	28.4
16	SFW16R-3ST_E1LF	38.4	32	28.4
17	SFW17R-3ST_E1LF	50.4	44	40.4
18	SFW18R-3ST_E1LF	50.4	44	40.4
19	SFW19R-3ST_E1LF	50.4	44	40.4
20	SFW20R-3ST_E1LF	50.4	44	40.4
21	SFW21R-3ST_E1LF	50.4	44	40.4
22	SFW22R-3ST_E1LF	50.4	44	40.4
23	SFW23R-3ST_E1LF	50.4	44	40.4
24	SFW24R-3ST_E1LF	50.4	44	40.4
25	SFW25R-3ST_E1LF	50.4	44	40.4
26	SFW26R-3ST_E1LF	50.4	44	40.4
27	SFW27R-3ST_E1LF	50.4	44	40.4
28	SFW28R-3ST_E1LF	62.4	56	52.4
29	SFW29R-3ST_E1LF	62.4	56	52.4
30	SFW30R-3ST_E1LF	62.4	56	52.4

△ FOR E1 PACKAGING OPTION



MATERIAL TABLE

PT. NO.	PARTS NAME	CAT. NO.	MATERIAL	COLOR
1	REEL		△ POLYSTYRENE	△ BLACK
2	EMBOSS TAPE		PS	TRANSPARENT
3	COVER TAPE		POLYESTER,POLYETHYLENE	TRANSPARENT
4	CONNECTOR	SFW__R-3ST__LF	SEE SHEET 2	

PACKAGING OPTION TABLE

PRODUCT NUMBER	PACKAGING OPTION	REEL MATERIAL	REEL DIAMETER	CONNECTOR QUANTITY
SFW__R-3STE1LF	E1	△ PLASTIC	△ ø380	2000 / REEL
SFW__R-3STAE1LF				
SFW__R-3STGE1LF				

NOTES

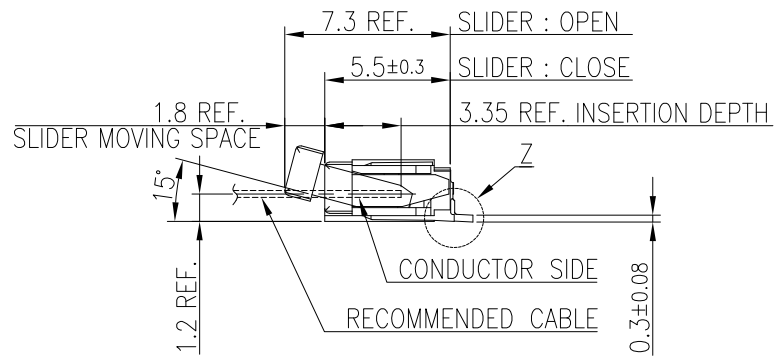
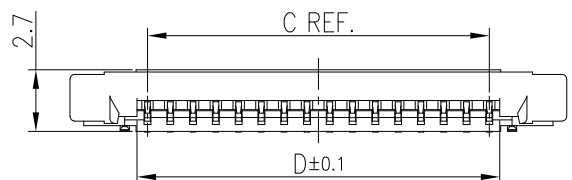
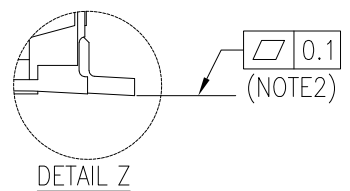
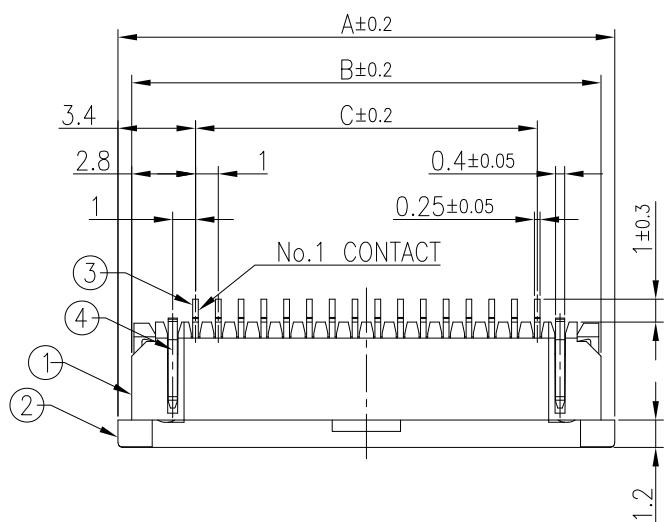
- THIS IS PLASTIC TAPE PACKAGED CONNECTOR DESIGNED TO TERMINATE FPC/FFC AND COPES WITH AUTOMATIC MOUNTING (SMT).
- SEE JIS C 0806 (PACKING OF ELECTRONIC COMPONENTS ON CONTINUOUS TAPES (SURFACE MOUNTING DEVICES)) FOR SHAPE AND DIMENSIONS OF PLASTIC (EMBOSS) TAPE AND REEL.
- E DIMENSION IS PORTION OF THE CORE.

mat'l. code SEE_TABLE		surface ISO 1302 ✓		tolerance ISO 406 ISO 1101		projection MM		product family 58RF	
ltr	ecn no	dr	date	tolerances unless otherwise specified		MM		title PLASTIC TAPE PACKAGED 1mm CONTACT SPACING CONNECTOR (Cat. No. SFW__R-3ST_E1LF)	
A		S.W	2023-12-20	angles	linear	MM		dwg no 10172242	
				0°±5'	0.XX/±0.5	scale N/A		sheet 1 of 5	
				dr	S.WATANABE	2023-12-20		size A3	
				enr	S.WATANABE	2023-12-20		type PRODUCT CUSTOMER DRAWING	
				chr	AN.MUHAMMAD-NABEEL	2023-12-20			
				app	Y.KAMEDA	2023-12-20			
sheet index	revision sheet	A	A	A	A	A	A		
		1	2	3	4	5			

Amphenol FCI

© 2016 AFCI

PRODUCT NO.
SFW__R-3ST__LF
SFW__R-3STA__LF
SFW__R-3STG__LF



CAT. NO. & DIMENSIONS

NO. OF CONT (n)	CAT. NO.	DIMENSIONS			
		A	B	C	D
4	SFW4R-3ST__LF	9.8	8.6	3.0	3.92
5	SFW5R-3ST__LF	10.8	9.6	4.0	4.92
6	SFW6R-3ST__LF	11.8	10.6	5.0	5.92
7	SFW7R-3ST__LF	12.8	11.6	6.0	6.92
8	SFW8R-3ST__LF	13.8	12.6	7.0	7.92
9	SFW9R-3ST__LF	14.8	13.6	8.0	8.92
10	SFW10R-3ST__LF	15.8	14.6	9.0	9.92
11	SFW11R-3ST__LF	16.8	15.6	10.0	10.92
12	SFW12R-3ST__LF	17.8	16.6	11.0	11.92
13	SFW13R-3ST__LF	18.8	17.6	12.0	12.92
14	SFW14R-3ST__LF	19.8	18.6	13.0	13.92
15	SFW15R-3ST__LF	20.8	19.6	14.0	14.92
16	SFW16R-3ST__LF	21.8	20.6	15.0	15.92
17	SFW17R-3ST__LF	22.8	21.6	16.0	16.92
18	SFW18R-3ST__LF	23.8	22.6	17.0	17.92
19	SFW19R-3ST__LF	24.8	23.6	18.0	18.92
20	SFW20R-3ST__LF	25.8	24.6	19.0	19.92
21	SFW21R-3ST__LF	26.8	25.6	20.0	20.92
22	SFW22R-3ST__LF	27.8	26.6	21.0	21.92
23	SFW23R-3ST__LF	28.8	27.6	22.0	22.92
24	SFW24R-3ST__LF	29.8	28.6	23.0	23.92
25	SFW25R-3ST__LF	30.8	29.6	24.0	24.92
26	SFW26R-3ST__LF	31.8	30.6	25.0	25.92
27	SFW27R-3ST__LF	32.8	31.6	26.0	26.92
28	SFW28R-3ST__LF	33.8	32.6	27.0	27.92
29	SFW29R-3ST__LF	34.8	33.6	28.0	28.92
30	SFW30R-3ST__LF	35.8	34.6	29.0	29.92

MATERIAL TABLE

PT. NO.	PARTS NAME	MATERIAL	Q'TY	NOTE
1	HOUSING	PPS RESIN GLASS REINFORCED (UL94V-0)	1	COLOR : BLACK
2	SLIDER		1	COLOR : BROWN
3	CONTACT	PHOSPHOR BRONZE	n	PLATING : SEE PLATING OPTION (LEAD FREE)
4	MOUNTING PLATE		2	PLATING : MATTE TIN 1um min. (LEAD FREE) NICKEL UNDER PLATING 1.27um min.

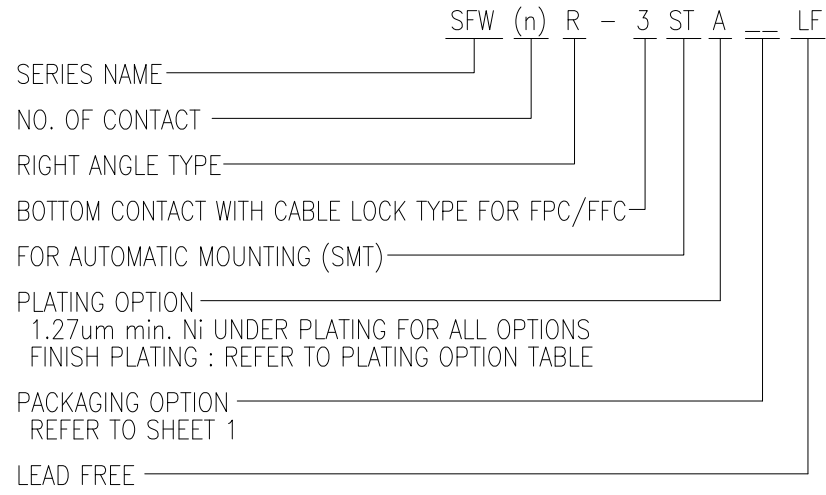
n : NO. OF CONTACTS

NOTES

- THIS PRODUCT IS THE BOTTOM CONTACT TYPE CONNECTOR DESIGNED TO TERMINATE FPC/FFC AND COPES WITH AUTOMATIC MOUNTING (SMT).
- FLATNESS OF CONTACT TERMINAL AND MOUNTING PLATE MUST BE WITHIN TOLERANCE IN DETAIL Z.
- THIS PRODUCT MEETS EUROPEAN UNION DIRECTIVES AND OTHER COUNTRY REGULATIONS AS DESCRIBED IN GS47-0004.
- THE HOUSING WILL WITHSTAND EXPOSURE TO 260°C PEAK TEMPERATURE FOR 10 SECONDS IN A REFLOW SOLDERING OVEN.
- APPLICATION SPEC : GS-20-130. PRODUCT SPEC : REFER TO PLATING OPTION TABLE.
- CATALOG NUMBER STRUCTURE IS AS FOLLOWINGS.

PLATING OPTION TABLE

PRODUCT NUMBER	PLATING OPTION	CONTACT PLATING	TERMINAL PLATING	PRODUCT SPEC.
SFW__R-3ST__LF	BLANK	MATTE THIN TIN PLATING	MATTE TIN : 1.5um min.	SC-SFW11
SFW__R-3STA__LF	A	GOLD : 0.75um min.	MATTE TIN : 1.5um min.	SC-SFW16
SFW__R-3STG__LF	G	GOLD : 0.05um min.	GOLD : 0.05um min.	



mat'l. code		surface		tolerance		projection		product family	
SEE_TABLE		ISO 1302 ✓		ISO 406 ISO 1101				58RF	
ltr	ecn no	dr	date	tolerances unless otherwise specified				title	
A				angles	linear	MM		1mm SPACING SMT CONNECTOR (Cat. No. SFW__R-3ST__LF)	
				0°±2'		scale 3:1		dwg no	
				dr	S.WATANABE	2023-12-20	sheet 2 of 5		size
				enr	S.WATANABE	2023-12-20	10172242		A3
				chr	AN.MUHAMMAD-NABEEL	2023-12-20	type		PRODUCT CUSTOMER DRAWING
				appd	Y.KAMEDA	2023-12-20			
sheet index	revision sheet								

Amphenol FCI

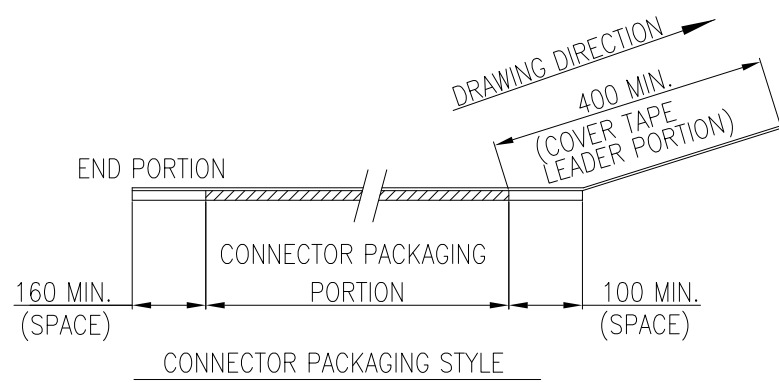
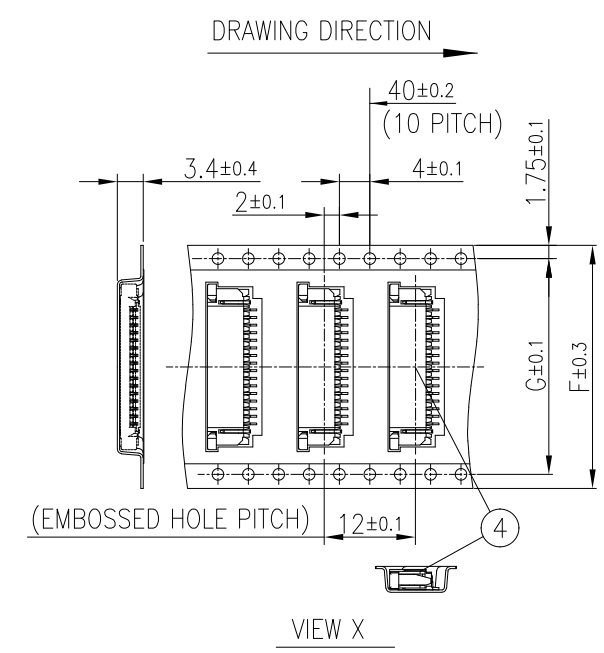
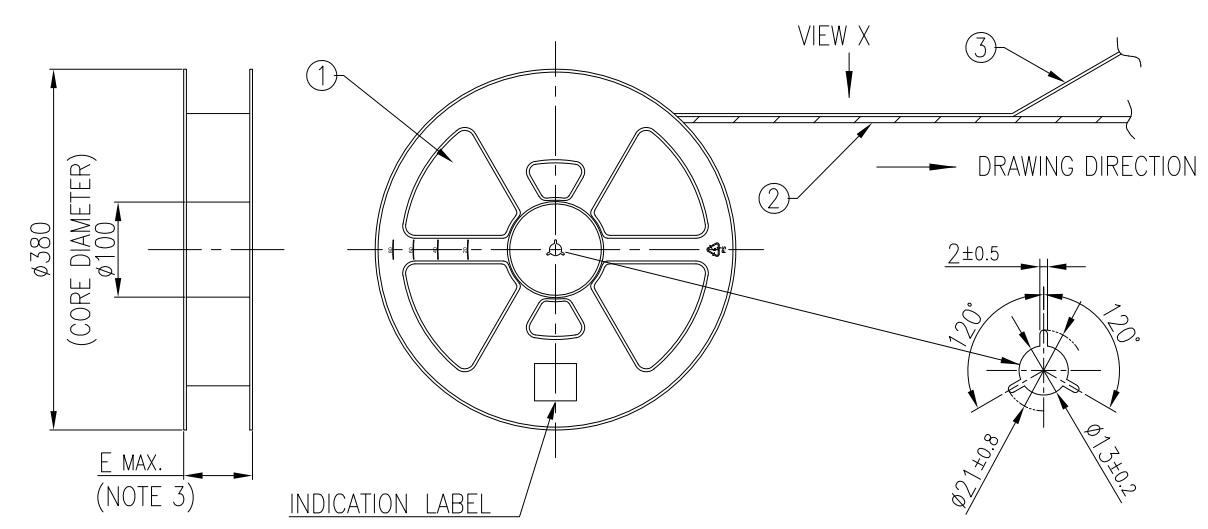
© 2016 AF CI

PRODUCT NO.
SFW__R-4STE1LF
SFW__R-4STAE1LF
SFW__R-4STGE1LF

CAT. NO. & DIMENSIONS

NO. OF CONT (n)	CAT. NO.	DIMENSIONS		
		△E	F	G
4	SFW4R-4ST_E1LF	22.4	16	—
5	SFW5R-4ST_E1LF	30.4	24	—
6	SFW6R-4ST_E1LF	30.4	24	—
7	SFW7R-4ST_E1LF	30.4	24	—
8	SFW8R-4ST_E1LF	30.4	24	—
9	SFW9R-4ST_E1LF	30.4	24	—
10	SFW10R-4ST_E1LF	30.4	24	—
11	SFW11R-4ST_E1LF	30.4	24	—
12	SFW12R-4ST_E1LF	30.4	24	—
13	SFW13R-4ST_E1LF	38.4	32	28.4
14	SFW14R-4ST_E1LF	38.4	32	28.4
15	SFW15R-4ST_E1LF	38.4	32	28.4
16	SFW16R-4ST_E1LF	38.4	32	28.4
17	SFW17R-4ST_E1LF	50.4	44	40.4
18	SFW18R-4ST_E1LF	50.4	44	40.4
19	SFW19R-4ST_E1LF	50.4	44	40.4
20	SFW20R-4ST_E1LF	50.4	44	40.4
21	SFW21R-4ST_E1LF	50.4	44	40.4
22	SFW22R-4ST_E1LF	50.4	44	40.4
23	SFW23R-4ST_E1LF	50.4	44	40.4
24	SFW24R-4ST_E1LF	50.4	44	40.4
25	SFW25R-4ST_E1LF	50.4	44	40.4
26	SFW26R-4ST_E1LF	50.4	44	40.4
27	SFW27R-4ST_E1LF	50.4	44	40.4
28	SFW28R-4ST_E1LF	62.4	56	52.4
29	SFW29R-4ST_E1LF	62.4	56	52.4
30	SFW30R-4ST_E1LF	62.4	56	52.4

△ FOR E1 PACKAGING OPTION



MATERIAL TABLE

PT. NO.	PARTS NAME	CAT. NO.	MATERIAL	COLOR
1	REEL		△ POLYSTYRENE	△ BLACK
2	EMBOSS TAPE		PS	TRANSPARENT
3	COVER TAPE		POLYESTER,POLYETHYLENE	TRANSPARENT
4	CONNECTOR	SFW__R-4ST__LF	SEE SHEET 4	

PACKAGING OPTION TABLE

PRODUCT NUMBER	PACKAGING OPTION	REEL MATERIAL	REEL DIAMETER	CONNECTOR QUANTITY
SFW__R-4STE1LF	E1	△ PLASTIC	△ ø380	2000 / REEL
SFW__R-4STAE1LF				
SFW__R-4STGE1LF				

NOTES

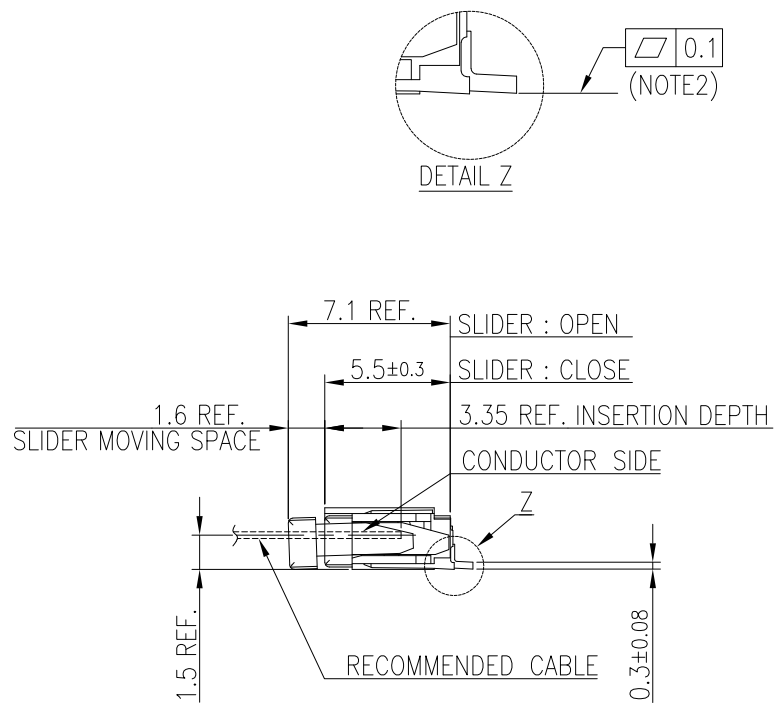
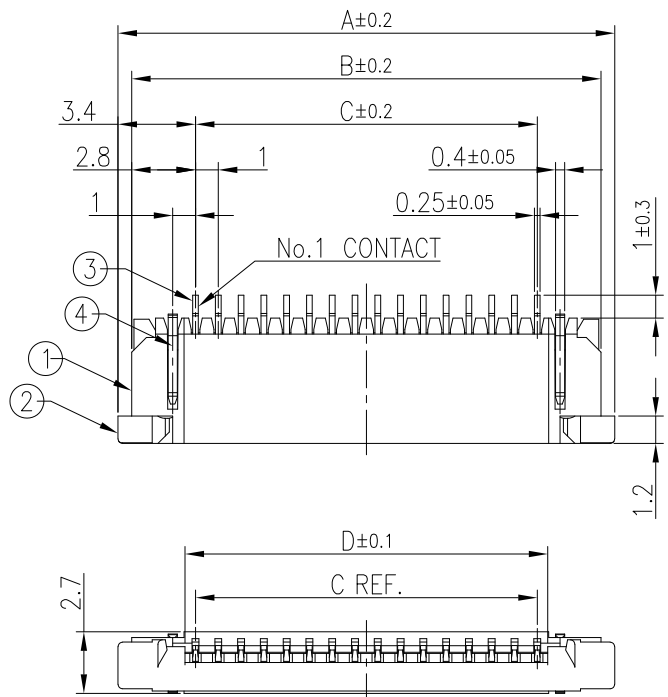
- THIS IS PLASTIC TAPE PACKAGED CONNECTOR DESIGNED TO TERMINATE FPC/FFC AND COPES WITH AUTOMATIC MOUNTING (SMT).
- SEE JIS C 0806 (PACKING OF ELECTRONIC COMPONENTS ON CONTINUOUS TAPES (SURFACE MOUNTING DEVICES)) FOR SHAPE AND DIMENSIONS OF PLASTIC (EMBOSS) TAPE AND REEL.
- E DIMENSION IS PORTION OF THE CORE.

mat'l. code SEE_TABLE		surface ISO 1302 ✓		tolerance ISO 406 ISO 1101		projection MM		product family 58RF	
ltr		ecn no		dr		date		title PLASTIC TAPE PACKAGED 1mm CONTACT SPACING CONNECTOR (Cat. No. SFW__R-4ST_E1LF)	
A								dwg no 10172242	
								sheet 3 of 5	
								size A3	
								type PRODUCT CUSTOMER DRAWING	
sheet index		revision sheet							

Amphenol FCI

© 2016 AFCI

PRODUCT NO.
SFW__R-4ST__LF
SFW__R-4STA__LF
SFW__R-4STG__LF



CAT. NO. & DIMENSIONS

NO. OF CONT (n)	CAT. NO.	DIMENSIONS			
		A	B	C	D
4	SFW4R-4ST__LF	9.8	8.6	3.0	3.92
5	SFW5R-4ST__LF	10.8	9.6	4.0	4.92
6	SFW6R-4ST__LF	11.8	10.6	5.0	5.92
7	SFW7R-4ST__LF	12.8	11.6	6.0	6.92
8	SFW8R-4ST__LF	13.8	12.6	7.0	7.92
9	SFW9R-4ST__LF	14.8	13.6	8.0	8.92
10	SFW10R-4ST__LF	15.8	14.6	9.0	9.92
11	SFW11R-4ST__LF	16.8	15.6	10.0	10.92
12	SFW12R-4ST__LF	17.8	16.6	11.0	11.92
13	SFW13R-4ST__LF	18.8	17.6	12.0	12.92
14	SFW14R-4ST__LF	19.8	18.6	13.0	13.92
15	SFW15R-4ST__LF	20.8	19.6	14.0	14.92
16	SFW16R-4ST__LF	21.8	20.6	15.0	15.92
17	SFW17R-4ST__LF	22.8	21.6	16.0	16.92
18	SFW18R-4ST__LF	23.8	22.6	17.0	17.92
19	SFW19R-4ST__LF	24.8	23.6	18.0	18.92
20	SFW20R-4ST__LF	25.8	24.6	19.0	19.92
21	SFW21R-4ST__LF	26.8	25.6	20.0	20.92
22	SFW22R-4ST__LF	27.8	26.6	21.0	21.92
23	SFW23R-4ST__LF	28.8	27.6	22.0	22.92
24	SFW24R-4ST__LF	29.8	28.6	23.0	23.92
25	SFW25R-4ST__LF	30.8	29.6	24.0	24.92
26	SFW26R-4ST__LF	31.8	30.6	25.0	25.92
27	SFW27R-4ST__LF	32.8	31.6	26.0	26.92
28	SFW28R-4ST__LF	33.8	32.6	27.0	27.92
29	SFW29R-4ST__LF	34.8	33.6	28.0	28.92
30	SFW30R-4ST__LF	35.8	34.6	29.0	29.92

MATERIAL TABLE

PT. NO.	PARTS NAME	MATERIAL	Q'TY	NOTE
1	HOUSING	PPS RESIN GLASS REINFORCED (UL94V-0)	1	COLOR : BLACK
2	SLIDER		1	COLOR : BROWN
3	CONTACT	PHOSPHOR BRONZE	n	PLATING : SEE PLATING OPTION (LEAD FREE)
4	MOUNTING PLATE		2	PLATING : MATTE TIN 1um min. (LEAD FREE) NICKEL UNDER PLATING 1.27um min.

n : NO. OF CONTACTS

NOTES

- THIS PRODUCT IS THE TOP CONTACT TYPE CONNECTOR DESIGNED TO TERMINATE FPC/FFC AND COPES WITH AUTOMATIC MOUNTING (SMT).
- FLATNESS OF CONTACT TERMINAL AND MOUNTING PLATE MUST BE WITHIN TOLERANCE IN DETAIL Z.
- THIS PRODUCT MEETS EUROPEAN UNION DIRECTIVES AND OTHER COUNTRY REGULATIONS AS DESCRIBED IN GS47-0004.
- THE HOUSING WILL WITHSTAND EXPOSURE TO 260°C PEAK TEMPERATURE FOR 10 SECONDS IN A REFLOW SOLDERING OVEN.
- APPLICATION SPEC : GS-20-130. PRODUCT SPEC : REFER TO PLATING OPTION TABLE.
- CATALOG NUMBER STRUCTURE IS AS FOLLOWINGS.

SFW (n) R - 4 ST A \_\_ LF

SERIES NAME \_\_\_\_\_  
 NO. OF CONTACT \_\_\_\_\_  
 RIGHT ANGLE TYPE \_\_\_\_\_  
 TOP CONTACT WITH CABLE LOCK TYPE FOR FPC/FFC \_\_\_\_\_  
 FOR AUTOMATIC MOUNTING (SMT) \_\_\_\_\_  
 PLATING OPTION \_\_\_\_\_  
 1.27um min. Ni UNDER PLATING FOR ALL OPTIONS  
 FINISH PLATING : REFER TO PLATING OPTION TABLE  
 PACKAGING OPTION \_\_\_\_\_  
 REFER TO SHEET 3  
 LEAD FREE \_\_\_\_\_

PLATING OPTION TABLE

PRODUCT NUMBER	PLATING OPTION	CONTACT PLATING	TERMINAL PLATING	PRODUCT SPEC.
SFW__R-4ST__LF	BLANK	MATTE THIN TIN PLATING	MATTE TIN : 1.5um min.	SC-SFW11
SFW__R-4STA__LF	A	GOLD : 0.75um min.	MATTE TIN : 1.5um min.	SC-SFW16
SFW__R-4STG__LF	G	GOLD : 0.05um min.	GOLD : 0.05um min.	

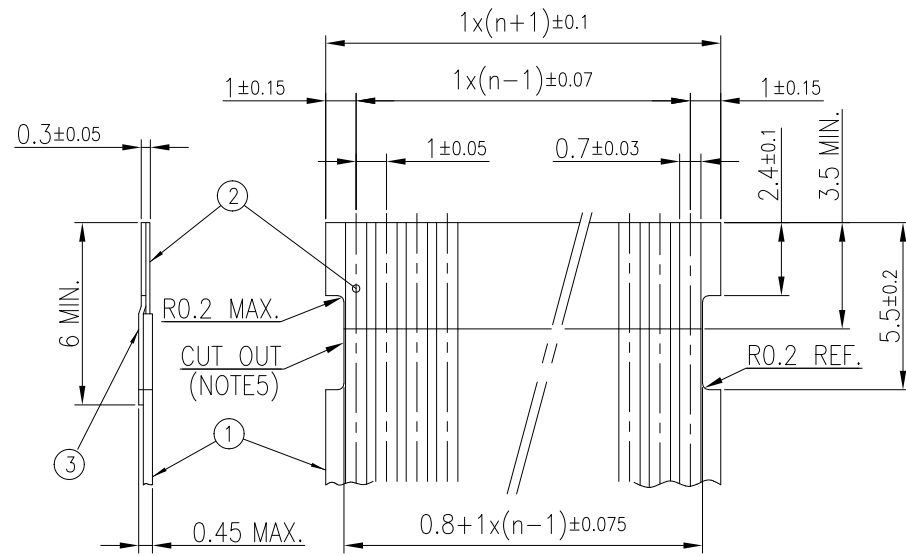
mat'l. code		surface		tolerance		projection		product family	
SEE_TABLE		ISO 1302 ✓		ISO 406 ISO 1101				58RF	
ltr	ecn no	dr	date	tolerances unless otherwise specified				title	
A				angles	linear	MM		1mm SPACING SMT CONNECTOR	
				0°±2'	0.XX/±0.2	scale 3:1		(Cat. No. SFW__R-4ST__LF)	
				dr	S.WATANABE	2023-12-20	dwg no		sheet 4 of 5
				enr	S.WATANABE	2023-12-20	10172242		A3
				chr	AN.MUHAMMAD-NABEEL	2023-12-20	type		PRODUCT CUSTOMER DRAWING
				appd	Y.KAMEDA	2023-12-20			
sheet index	revision sheet								

Amphenol FCI

© 2016 AFCE

RECOMMENDED CABLE (FFC)  
(NOTE1, NOTE2)

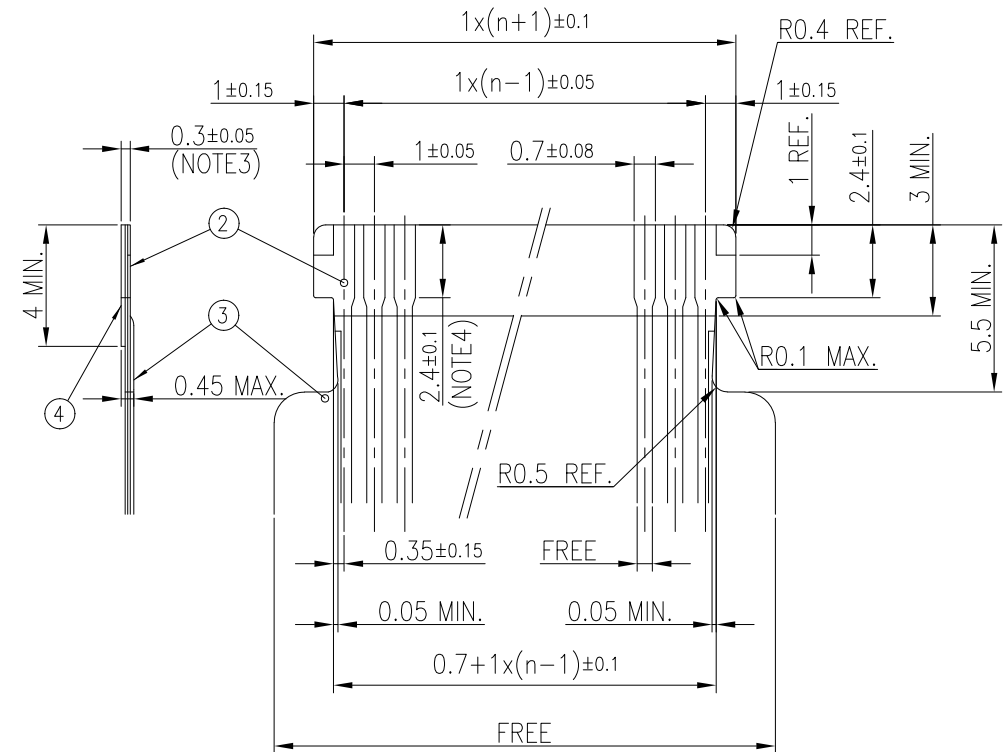
n : NO. OF CONDUCTORS



PT. NO.	DESCRIPTION	MATERIAL
1	INSULATOR	FLAME RESISTING POLYESTER OR EQUIVALENT
2	CONDUCTOR	COPPER FOIL (PLATING : TIN OR GOLD) (NOTE6)
3	SUPPORTING TAPE	FLAME RESISTING POLYESTER OR EQUIVALENT

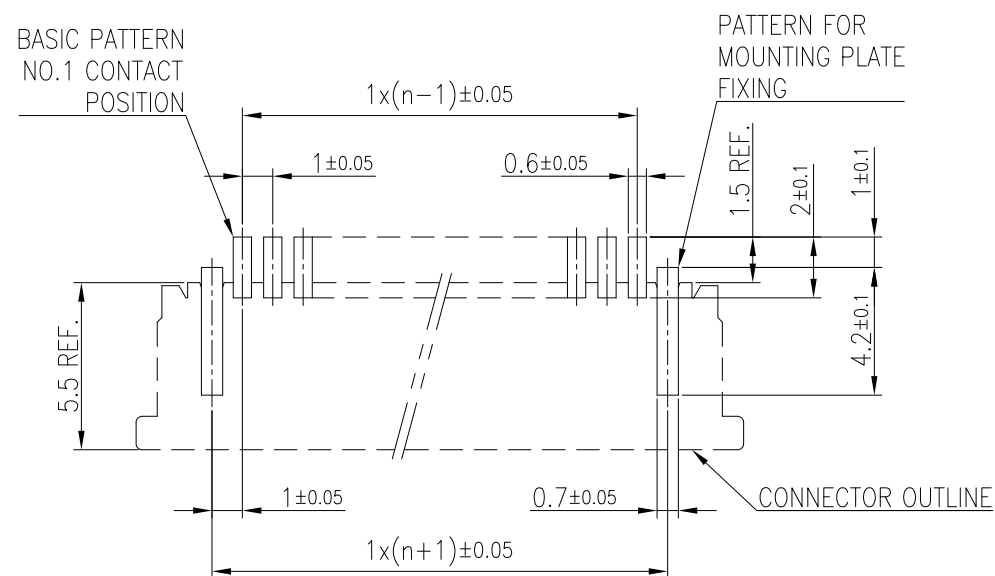
RECOMMENDED CABLE (FPC)  
(NOTE1, NOTE2)

n : NO. OF CONDUCTORS



PT. NO.	DESCRIPTION	MATERIAL	THICKNESS (um)
1	BASE FILM	POLYIMIDE OR POLYESTER OR EQUIVALENT	25
2	CONDUCTOR	COPPER FOIL (PLATING : TIN OR GOLD) (NOTE6)	35
3	OVERLAY	POLYIMIDE OR POLYESTER OR EQUIVALENT	—
4	SUPPORTING TAPE	POLYESTER OR POLYIMIDE OR EQUIVALENT	188

RECOMMENDED PC BOARD LAYOUT  
(COMPONENT SIDE) (NOTE7, NOTE8)



NOTES

1. NO BURR AT EACH PORTION.
2. NO PEELING IN COMMON USE.
3. TOTAL THICKNESS LIMIT OF EACH MATERIAL (INCLUDING ADHESIVE AGENT) IS SPECIFIED.
4. THIS DIMENSION INDICATES THE RANGE FOR 0.7±0.08 CONDUCTOR WIDTH.
5. THERE IS A POSSIBILITY THAT THE CUT-OUT CROSSES THE CONDUCTOR BECAUSE OF DIMENSIONAL TOLERANCE.
6. FINISH PLATING OF CABLE CONDUCTOR AND CONTACT SHOULD BE MATCHED.
7. RECOMMENDED STENCIL THICKNESS IS 120~150um.
8. RECOMMENDED STENCIL OPENING RATIO IS 100%.

mat'l. code		surface		tolerance		projection		product family	
SEE_TABLE		ISO 1302	✓	ISO 406	ISO 1101			58RF	
ltr	ecn no	dr	date	tolerances unless otherwise specified		MM		title	
A				angles	linear	0.X/±0.3		RECOMMENDED CABLE AND PCB	
				0°±2'		0.XX/±0.3		(Cat. No. SFW__R-3/4ST_E1LF)	
						0.XXX/±0.3		scale 4:1	
		dr	S.WATANABE	2023-12-20				dwg no	
		enr	S.WATANABE	2023-12-20				sheet 5 of 5	
		chr	AN.MUHAMMAD-NABEEL	2023-12-20				size	
		app	Y.KAMEDA	2023-12-20				A3	
sheet index		revision sheet						type	
								PRODUCT CUSTOMER DRAWING	

