

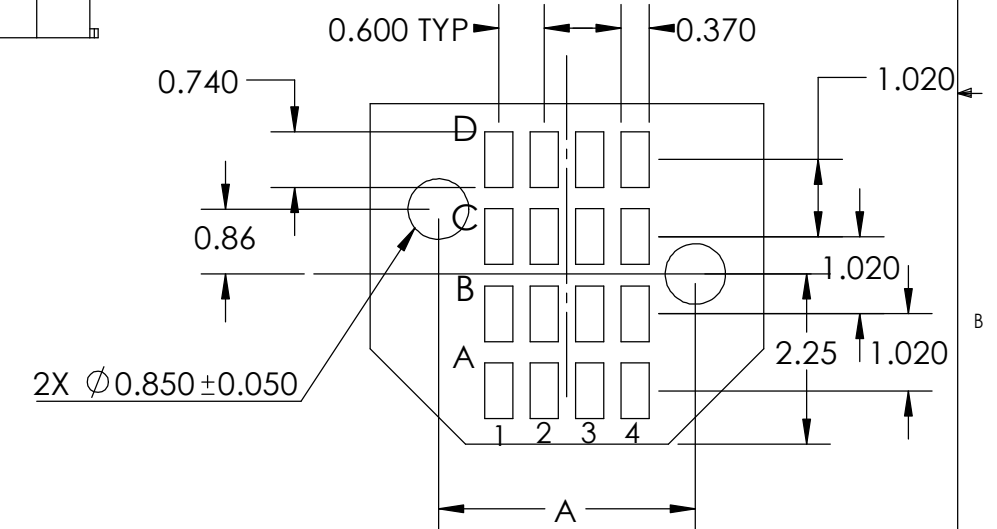
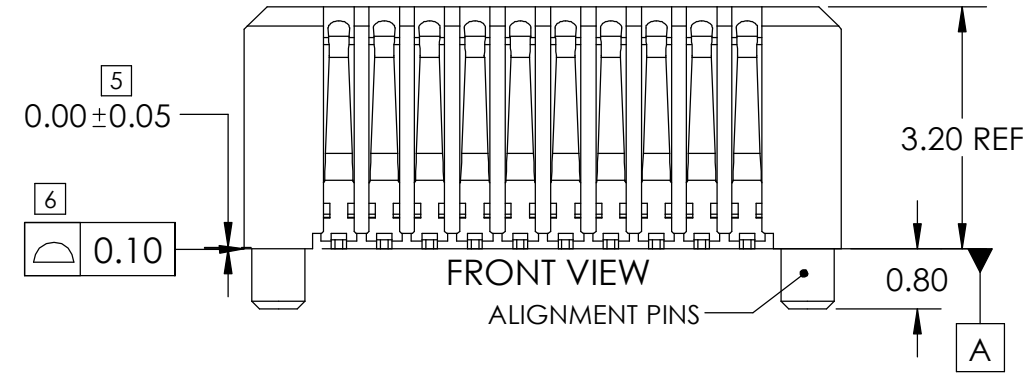
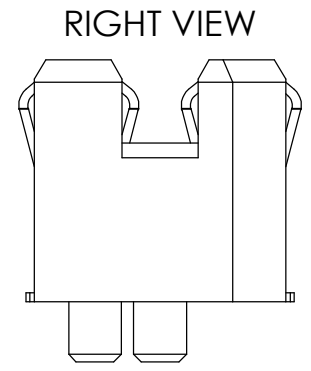
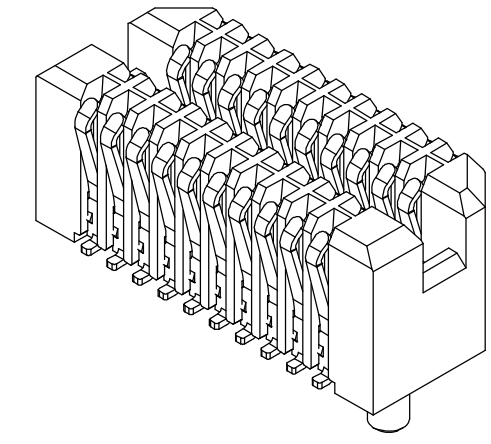
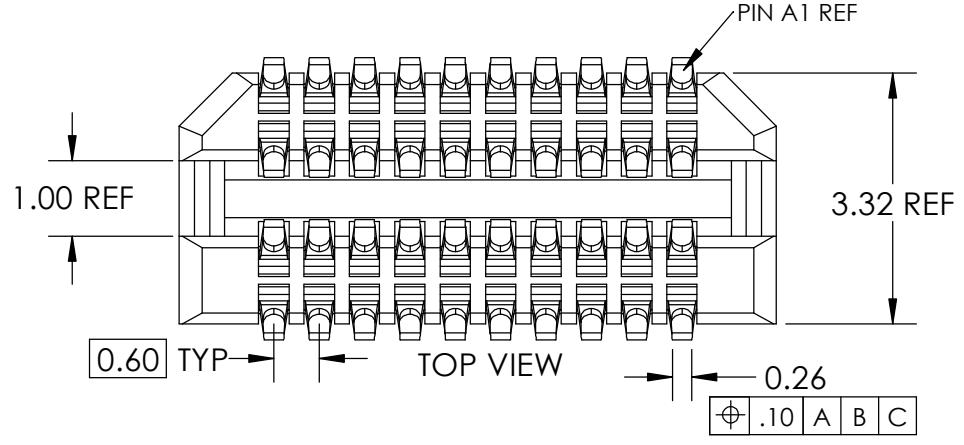
REVISIONS

REV	DESCRIPTION	DATE	DWN
F	EC-13587 ADDED CAP VIEW & TABLE	10/9/20	GQ

PART NUMBER
SEE TABLE

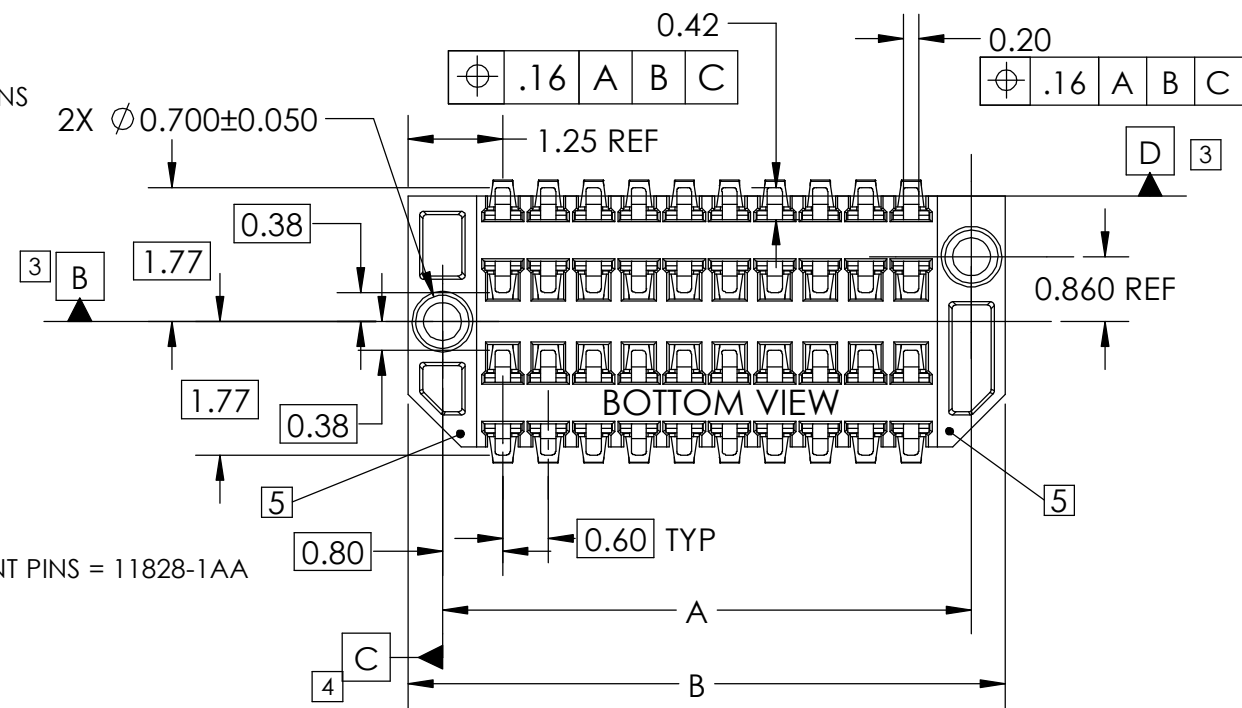
NOTES:

- 1 MATERIAL
HOUSING: HIGH TEMPERATURE THERMOPLASTIC
CONTACT: COPPER ALLOY
CONTACT PLATING: UNDERPLATE WITH NICKEL,
HARD GOLD IN MATING AREA
PURE MATTE TIN ON CONTACT TAIL
- 2. Please refer to Product Specification for mechanical and electrical specification.
- 3 Datum B is defined as the plane intersecting the $\phi 0.700$ mm post and parallel to Datum D
- 4 Datum C is defined as the plane intersecting the $\phi 0.700$ mm post and perpendicular to Datum B.
- 5 This dimension is measured (for each Solder Lead) as the deviation from a best-fit plane created from the surfaces referenced at the ends of the part.
- 6 This dimension is measured (for each Solder Lead) as the deviation from a best-fit plane created from all the Solder Leads.



1: WITH PROTECTIVE CAP
2: WITH KAPTON TAPE
11828-1X X
A: WITH ALIGNMENT PINS
B: WITHOUT ALIGNMENT PINS

	NO POS	DIM A	DIM B
A	10	7.00	7.9
B	20	13.00	13.9
C	30	19.00	19.9
D	40	25.00	25.9
E	50	31.00	31.9
F	60	37.00	37.9
G	70	43.00	43.9
H	15	10.00	10.9



EXAMPLE SHOWN: 10 POSITION, WITH ALIGNMENT PINS = 11828-1AA



THIS DOCUMENT CONTAINS CONFIDENTIAL AND PROPRIETARY INFORMATION OF AMPHENOL INTERCON SYSTEMS AND MAY NOT BE DISCLOSED, REPRODUCED OR OTHERWISE USED WITHOUT WRITTEN PERMISSION	
ALL DIMENSIONS AND TOLERANCES PER ASME Y14.5M-2009 ALL DIMENSIONS ARE IN MILLIMETERS UNLESS OTHERWISE SPECIFIED	THIRD ANGLE PROJECTION
INSPECTION ◇ FIRST PIECE △ SPC ○ IN-PROCESS	TOLERANCES UNLESS SPECIFIED OTHERWISE 1PLC ± 0.3 2PLC ± 0.13 3PLC ± 0.050 ANGLES ± 1°
MATERIAL 1	FINISH 1

Amphenol AMPHENOL INTERCON SYSTEMS INC.
Etters, PA 17319

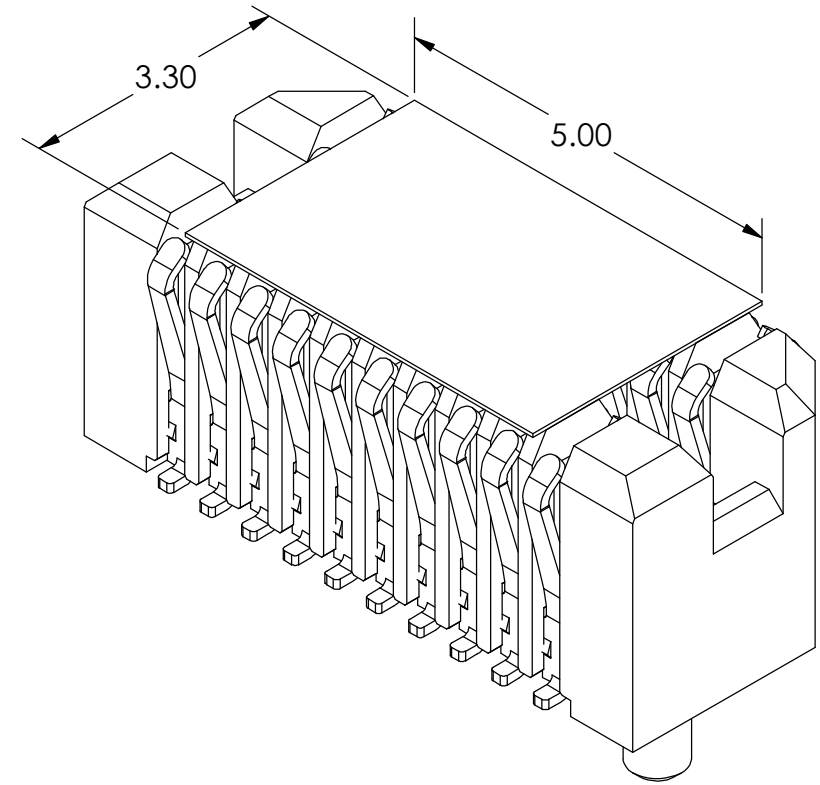
Inter-Con Systems

NAME: LYNX RECEPTACLE ASSEMBLY

SIZE B	PROD CODE 445	DRAWING NUMBER C- 11828	REV F
SCALE 10:1	CUSTOMER	SHEET 1 OF 3	

METRIC

RECEPTACLE CONNECTOR W/KAPTON TAPE



*5MM RECEP 10 POSITION TAPE AND REEL SHOWN

POS	TAPE WIDTH
10	24.00 +/- 0.30 MM
15	32.00 +/- 0.30 MM
20	32.00 +/- 0.30 MM
30	32.00 +/- 0.30 MM
40	44.00 +/- 0.30 MM
50	56.00 +/- 0.30 MM
60	56.00 +/- 0.30 MM
70	56.00 +/- 0.30 MM

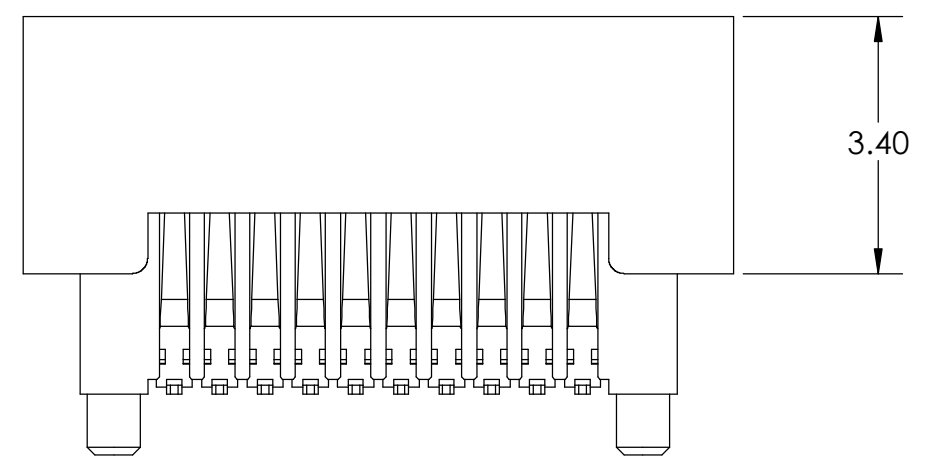
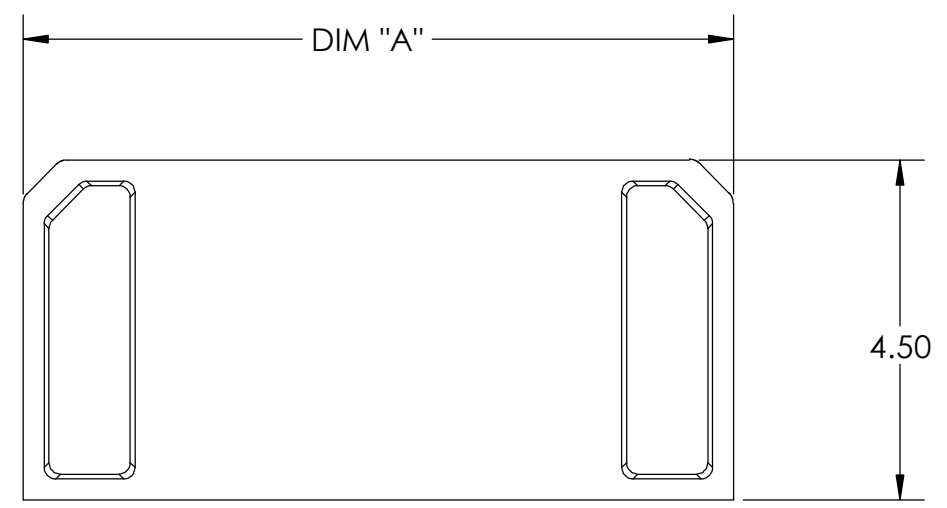
KAPTON TAPE			
POS	LENGTH	WIDTH	THICKNESS
10	5 MM	3.3 MM	0.05 MM
15	5MM	3.3 MM	0.05 MM
20	5 MM	3.3 MM	0.05 MM
30	15 MM	3.3 MM	0.05 MM
40	15 MM	3.3 MM	0.05 MM
50	15 MM	3.3 MM	0.05 MM
60	15 MM	3.3 MM	0.05 MM
70	15 MM	3.3 MM	0.05 MM

<small>THIS DOCUMENT CONTAINS CONFIDENTIAL AND PROPRIETARY INFORMATION OF AMPHENOL INTERCON SYSTEMS AND MAY NOT BE DISCLOSED, REPRODUCED OR OTHERWISE USED WITHOUT WRITTEN PERMISSION</small>		AMPHENOL INTERCON SYSTEMS INC. Etters, PA 17319	
<small>ALL DIMENSIONS AND TOLERANCES PER ASME Y14.5M-2009</small> <small>ALL DIMENSIONS ARE IN MILLIMETERS UNLESS OTHERWISE SPECIFIED</small>	<small>THIRD ANGLE PROJECTION</small> 	NAME <h2>LYNX RECEPTACLE ASSEMBLY</h2>	
INSPECTION ◇ FIRST PIECE △ SPC ○ IN-PROCESS	TOLERANCES UNLESS SPECIFIED OTHERWISE 1PLC ± 0.3 2PLC ± 0.13 3PLC ± 0.050 ANGLES ± 1°	SIZE B	PROD CODE 445 DRAWING NUMBER C- 11828 REV F
MATERIAL 1	FINISH 2	SCALE 10:1	CUSTOMER SHEET 2 OF 3

METRIC

PART NUMBER
SEE TABLE

RECEPTACLE CONNECTOR W/PROTECTIVE CAP



POS	DIM A
10	9.40
15	13.00
20	18.00
30	26.00
40	36.00
50	46.00
60	56.00
70	66.00

<small>THIS DOCUMENT CONTAINS CONFIDENTIAL AND PROPRIETARY INFORMATION OF AMPHENOL INTERCON SYSTEMS AND MAY NOT BE DISCLOSED, REPRODUCED OR OTHERWISE USED WITHOUT WRITTEN PERMISSION</small>				AMPHENOL INTERCON SYSTEMS INC. Etters, PA 17319	
<small>ALL DIMENSIONS AND TOLERANCES PER ASME Y14.5M-2009 ALL DIMENSIONS ARE IN MILLIMETERS UNLESS OTHERWISE SPECIFIED</small>		<small>THIRD ANGLE PROJECTION</small> 		NAME <h2>LYNX RECEPTACLE ASSEMBLY</h2>	
INSPECTION ◇ FIRST PIECE △ SPC ○ IN-PROCESS		TOLERANCES UNLESS SPECIFIED OTHERWISE 1PLC ± 0.3 2PLC ± 0.13 3PLC ± 0.050 ANGLES ± 1°		SIZE B	PROD CODE 445
MATERIAL 1		FINISH 2		DRAWING NUMBER C- 11828	REV F
METRIC		SCALE 10:1	CUSTOMER		SHEET 3 OF 3