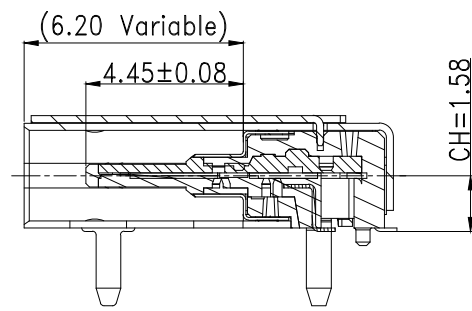
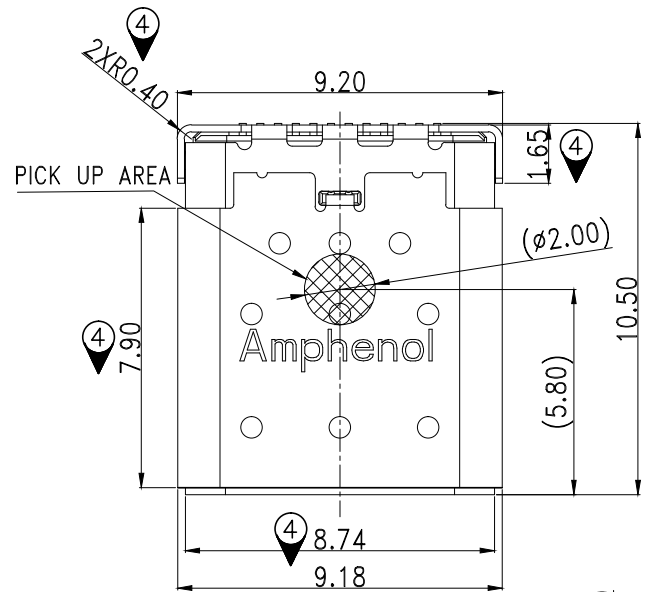


This document is the property of Amphenol Corporation and is delivered on the express condition that it is not to be disclosed, reproduced or used, in whole or in part, for manufacture or sale by anyone other than Amphenol Corporation without its prior consent, & that no right is granted to disclose or to use any information in this document.

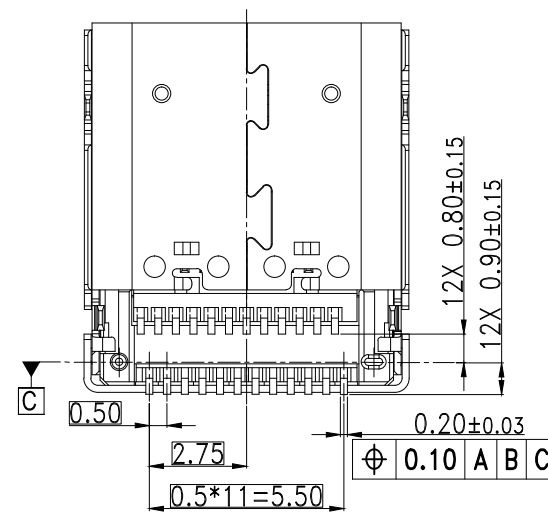
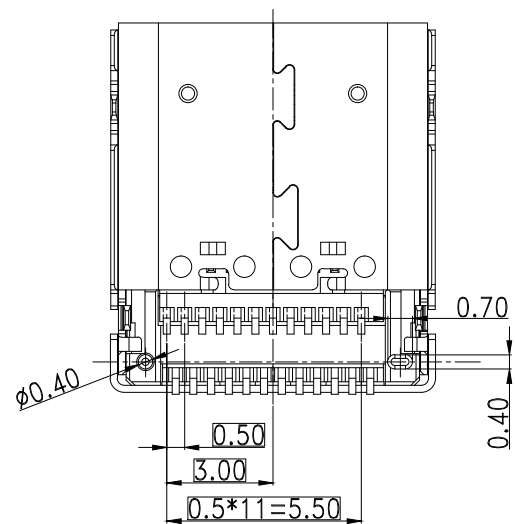
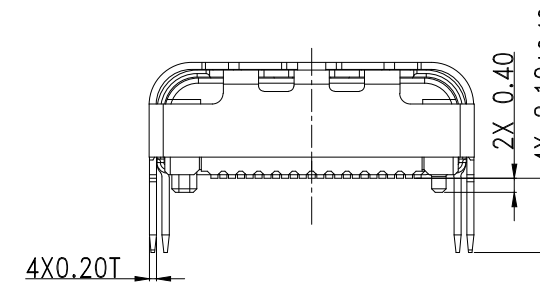
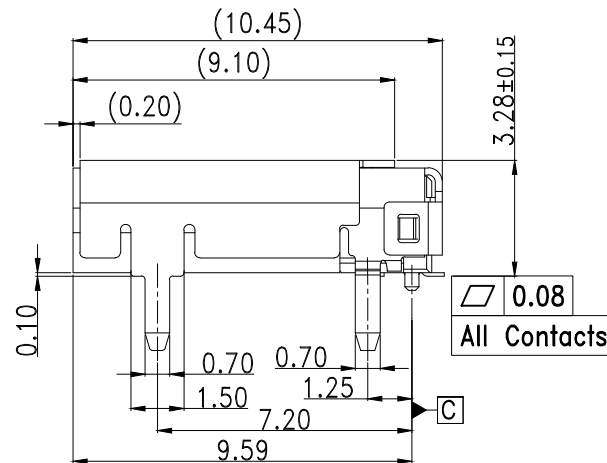
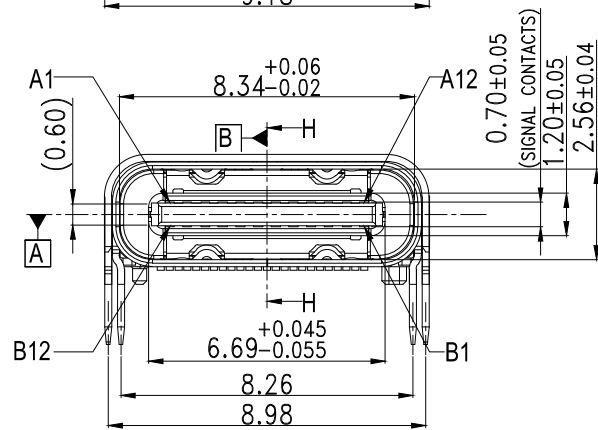
# CUSTOMER DRAWING

## REVISIONS

SYM	ECN	DESCRIPTION	DATE	APPROVED
1		FIRST RELEASE	2016.05.10	Tom
2		Add Keep out zone	2018.12.25	Tom
3		1.Add Part number description 2.Add Packing Drawing	2019.02.20	Tom
4		Add Dimensions	2020.08.20	Michael.ip



Pin No	Signal Name	Mating Sequence	Pin No	Signal Name	Mating Sequence
A1	GND	First	B12	GND	First
A2	TX1+	Second	B11	RX1+	Second
A3	TX1-	Second	B10	RX1-	Second
A4	Vbus	First	B9	Vbus	First
A5	CC1	Second	B8	SBU2	Second
A6	D+	Second	B7	D-	Second
A7	D-	Second	B6	D+	Second
A8	SBU1	Second	B5	CC2	Second
A9	VBUS	First	B4	Vbus	First
A10	RX2-	Second	B3	TX2-	Second
A11	RX2+	Second	B2	TX2+	Second
A12	GND	First	B1	GND	First
SHELL	GND		SHELL	GND	



UNLESS OTHERWISE SPECIFIED TOLERANCES		APPROVAL	DATE	Amphenol Amphenol East Asia Limited
.X	+/-	DRAWN Allan.Lai	08/20/20	
.XX	+/-	CHECKED Michael.Qin	08/20/20	
.XXX	+/-	CHECKED Michael.Qin		
FRACTIONS	+/-			
ANGLES	+/-			
FOR MATERIALS AND FINISHES SEE NOTES		DRAWING FILE :		TITLE Customer Drawing For USB 3.1 GEN2, Type C connector, R/A , Top mount, Double SMT type, CH=1.58mm
REMOVE SHARP EDGES		ANGLE OF PROJECTION		SIZE DRAWING NO. A3 C 12401598
DIMENSIONS		U.S. INCHES (METRIC) (MM)		REV. 4
		SCALE NONE		SHEET 1 OF 3

This document is the property of Amphenol Corporation and is delivered on the express condition that it is not to be disclosed, reproduced or used, in whole or in part, for manufacture or sale by anyone other than Amphenol Corporation without its prior consent, & that no right is granted to disclose or to use any information in this document.

# CUSTOMER DRAWING

REVISIONS				
SYM	ECN	DESCRIPTION	DATE	APPROVED
		SEE PAGE 1		

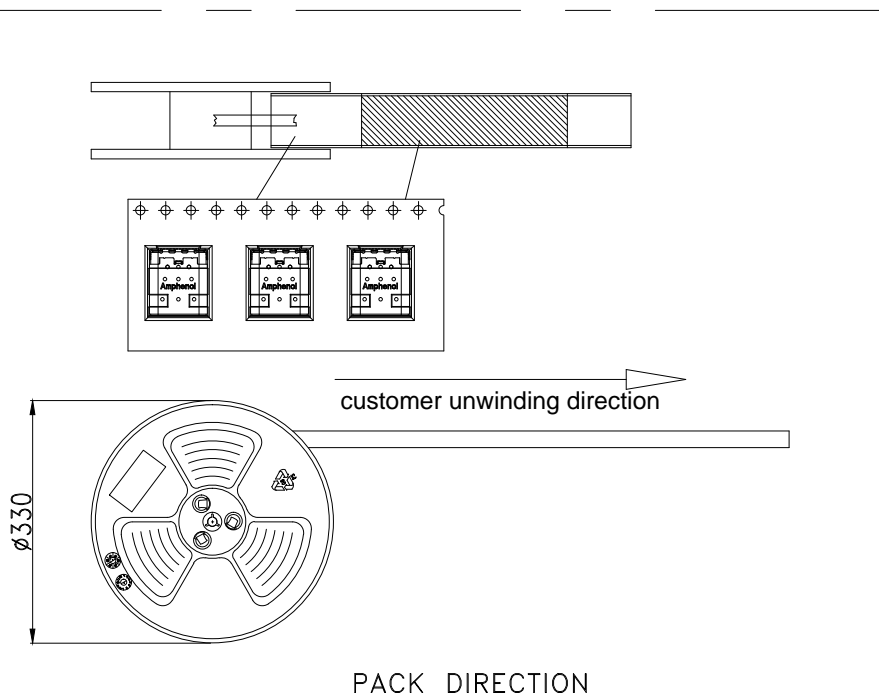
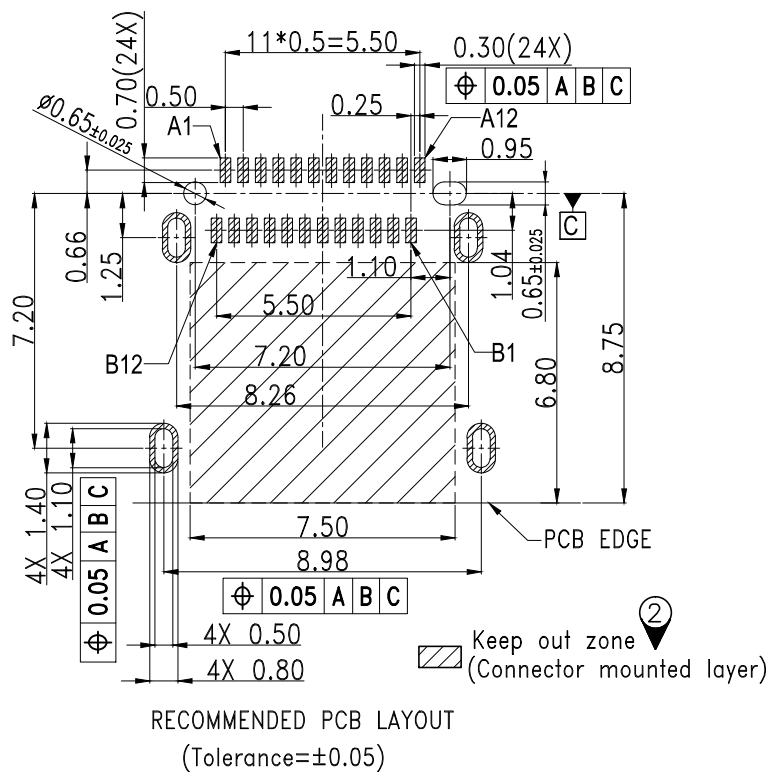
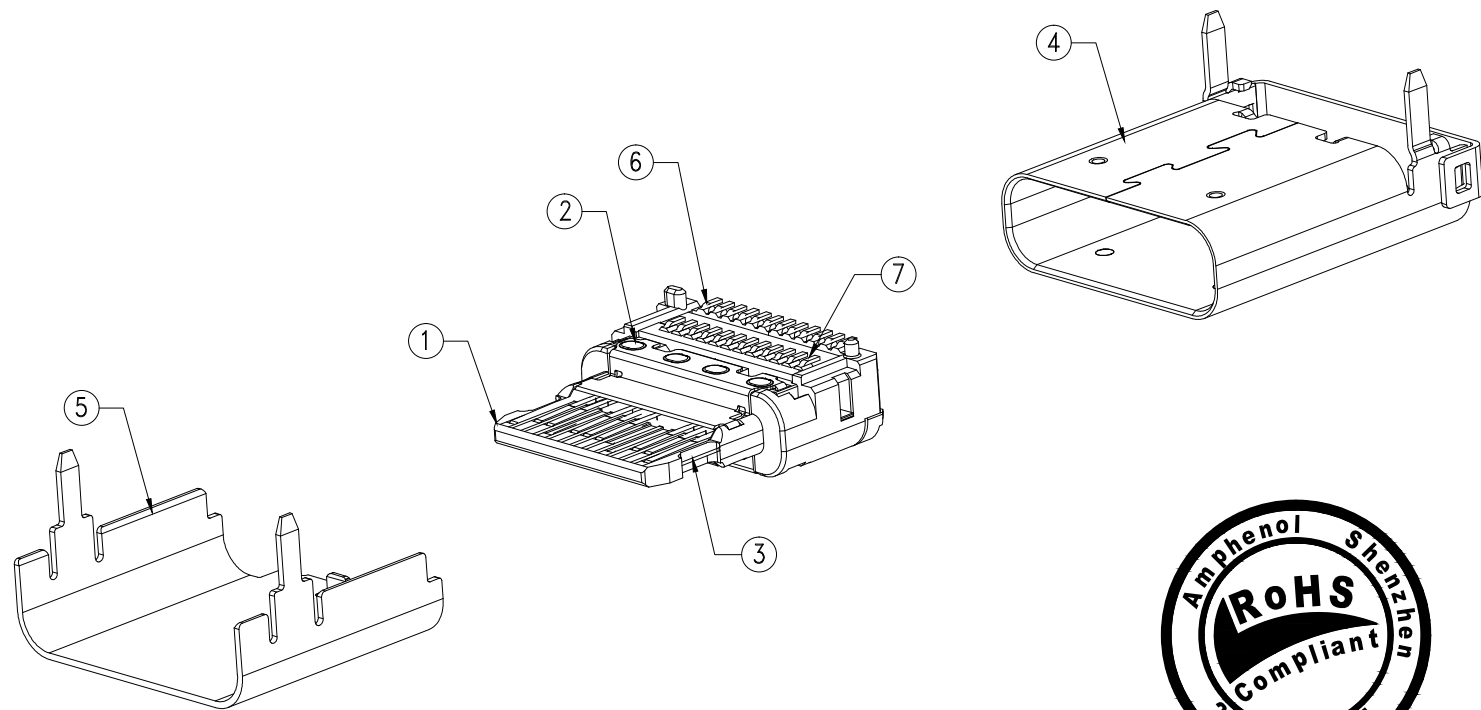
**NOTES/注释:**

- MATERIAL/材料:** SEE TABLE/见下表
- GENERAL SPECIFICATION/通用特性:**
  - COPLANARITY /共面度: 0.10 Max.
  - CURRENT RATING: 5A / 额定电流: 5安培
  - CONTACT RESISTANCE: 40mΩ MAX (INITIAL).  
INSULATION RESISTANCE: 100MΩ Min  
接触电阻: 40毫欧最大(初始值) / 绝缘电阻: 100MΩ Min
  - DIELECTRIC WITHSTANDING VOLTAGE: 100 VAC  
耐电压: 100伏交流
  - MECHANICAL CHARACTERISTICS:  
INSERTION FORCE: 5~20N EXTRACTION FORCE: 8~20N  
AFTER DURABILITY EXTRACTION FORCE: 6~20N  
力学特性: 初始插入力: 5~20N 拔出力: 8~20N  
耐久后拔出力: 6~20N
  - DURABILITY: 10000 CYCLES / 耐久性: 10000次
  - PACKAGING TYPE: CARRIER TAPE./ 包装类型: 载带包装
- DIMENSIONING SHALL BE INTERPRETED PER ASME Y14.5M 1994.  
尺寸标注基于ASME Y14.5M 1994标准规范
- MATERIAL SHOULD BE FULFILLED AMPHENOL SPEC.# S-SN-002,  
FOR HALOGEN FREE PRODUCTS, ALSO NEED TO MEET S-SN-004.  
产品材料环保标准为Amphenol SSN#002,如果是无卤产品需满足标准SSN#004
- ORDER P/N SYSTEM/产品料号编码系统 : 12401598XXX2A



Plating Spec: \_\_\_\_\_  
 E4: Mating Area: Au 30u" Min  
 Solder Area: 100u" Min Matte Tin  
 50u"Min Nickel Under Plating Over All  
 A:HF  
 Package Spec. 2:Reel  
 Date Code Description #:Without D/C

EXPLODE VIEW (SCALE N/A)



ITEM	DESCRIPTION	Q'TY	MATERIAL	FINISH
7	BOTTOM TERMINAL	12	Copper alloy	CONTACT:30u" AU MIN; SOLDER TAIL:100u" MATTE TIN MIN;
6	TOP TERMINAL	12	Copper alloy	CONTACT:30u" AU MIN; SOLDER TAIL:100u" MATTE TIN MIN;
5	OUTER SHELL	1	Stainless steel	SOLDER NICKEL: 50U" MIN
4	MAIN SHELL	1	Stainless steel	SOLDER NICKEL: 50U" MIN
3	GND SHEET	1	Stainless steel	SOLDER NICKEL: 50U" MIN
2	EMC	2	Stainless steel	SOLDER NICKEL: 50U" MIN
1	MAIN HOUSING	1	Nylon	BLACK

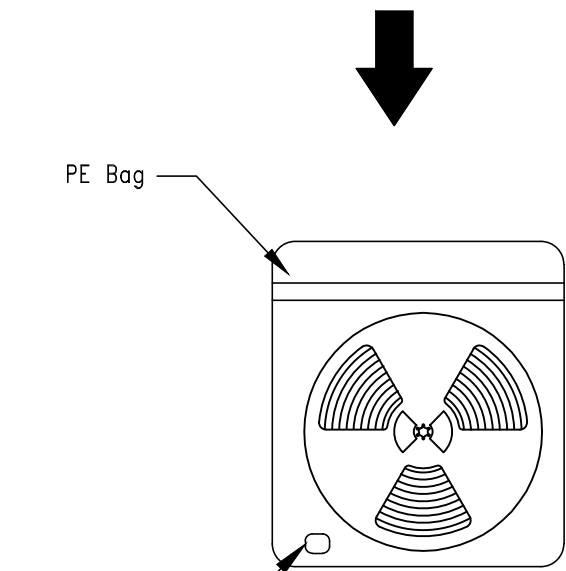
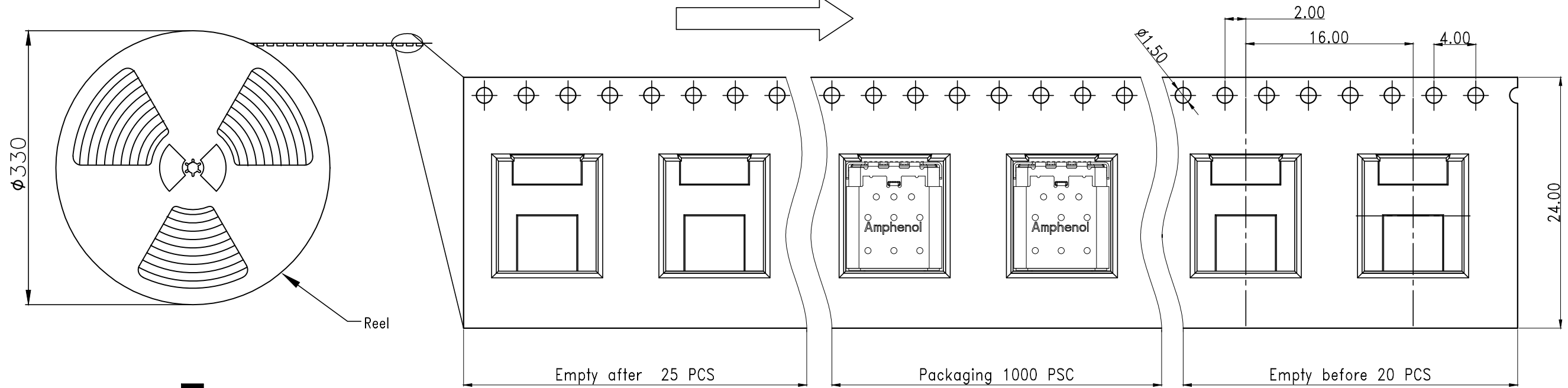
UNLESS OTHERWISE SPECIFIED TOLERANCES		APPROVAL		DATE	
		DRAWN Allan.Lai		08/20/20	
.X	+/- 0.50	CHECKED	Michael.Qin	08/20/20	
.XX	+/- 0.25	CHECKED	Michael.Qin		
.XXX	+/- 0.10				
FRACTIONS	+/- 3°				
ANGLES	+/-				
FOR MATERIALS AND FINISHES SEE NOTES		DRAWING FILE :		TITLE Customer Drawing For	
REMOVE SHARP EDGES		ANGLE OF PROJECTION		USB 3.1 GEN2, Type C connector, R/A ,	
DIMENSIONS		DRAWING NO.		Top mount, Double SMT type, CH=1.58mm	
U.S.	INCHES	A3		C 12401598	
(METRIC)	(MM)	SCALE NONE		REV. 4	
				SHEET 2 OF 3	

This document is the property of Amphenol Corporation and is delivered on the express condition that it is not to be disclosed, reproduced or used, in whole or in part, for manufacture or sale by anyone other than Amphenol Corporation without its prior consent, & that no right is granted to disclose or to use any information in this document.

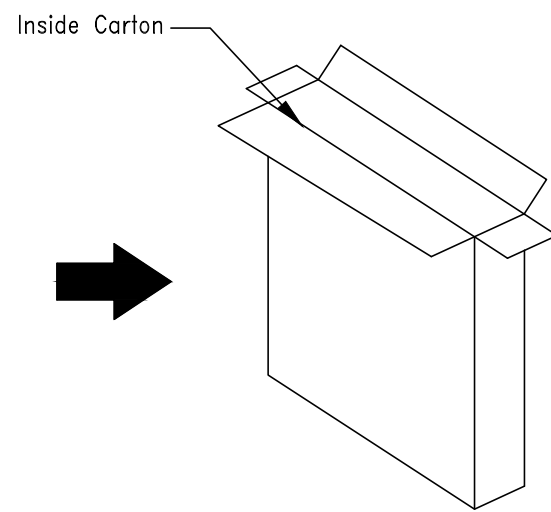
# CUSTOMER DRAWING

Use Direction

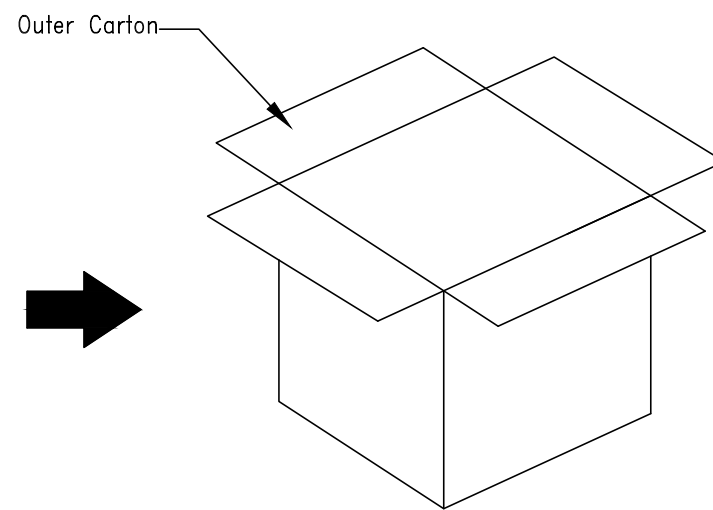
REVISIONS				
SYM	ECN	DESCRIPTION	DATE	APPROVED
		SEE PAGE 1		



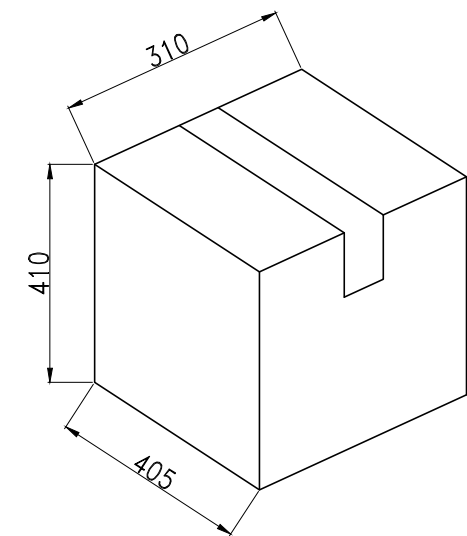
No.1: 1 Reel/PE Bag



No.2: 1 PE Bag / Inside Carton



No.3: 8 Inside Carton/Outer Carton



No.4: 8000 Pcs/Outer Carton



Packing quantity:

8(8000PCS)	1	1000
Inside Carton/Outer Carton	Reel/Inside Carton	PCS/Reel

UNLESS OTHERWISE SPECIFIED TOLERANCES		
	U.S.	METRIC
.X	+/-	0.50
.XX	+/-	0.25
.XXX	+/-	0.10
FRACTIONS	+/-	
ANGLES	+/-	3°

APPROVAL		DATE
DRAWN	Allan.Lai	08/20/20
CHECKED	Michael.Qin	08/20/20
CHECKED	Michael.Qin	
DRAWING FILE :		
ANGLE OF PROJECTION		

Amphenol		Amphenol East Asia Limited	
		TITLE Customer Drawing For USB 3.1 GEN2, Type C connector, R/A , Top mount, Double SMT type, CH=1.58mm	
SIZE	DRAWING NO.	REV.	
A3	C 12401598	4	
SCALE	NONE	SHEET 3 OF 3	