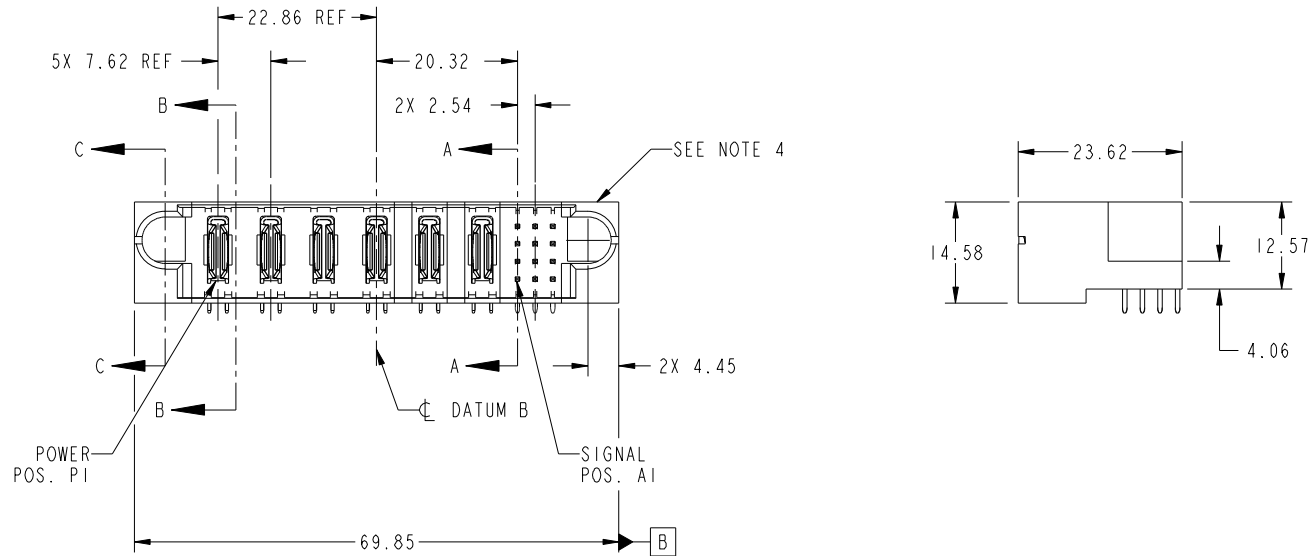


Tous droits strictement reserves. Reproduction ou communication a des tiers interdite sous quelque forme que ce soit sans autorisation ecrite du proprietaire. Propriete de c FCI. Droits de reproduction FCI.

All rights strictly reserved. Reproduction or issue to third parties in any form whatever is not permitted without written authority from the proprietor. Property of FCI. Copyright FCI.



PRODUCT NO. 51939-508... NOTE 3	ROWS D C B A	POWER						SIGNAL			E2
		E1	P1	P2	P3	P4	P5	P6	1	2	



CODE	DIM "M" MATING LENGTH	CONTACT TYPE
U	[6.86]	SIGNAL
T	[6.86]	SIGNAL
S	[6.86]	SIGNAL
R	[6.86]	SIGNAL
PA	[12.27]	POWER

mat'l code				SEE NOTE		tolerances unless otherwise specified		CUSTOMER		 www.fciconnect.com	
ltr	ecn no.	dr	date	linear	0.X ± 0.5	projection		COPY		title	
A	DG10-0104	ZWL	03/16/10	angles	0.XX ± 0.25			MIM		6ACP + 12S RIGHT ANGLE SOLDER HEADER	
				dr	0.XXX ± 0.1			product family		PwrBlade	code
				enr	0° ± 2°	scale		size		dwg no	213
				chr	WL ZHANG 03/16/10	1:1		A		51939-508	sheet
				appd	WL ZHANG 03/16/10						1 of 4
					PM ZHENG 03/16/10						
					JOSEPH HSIA 03/16/10						
sheet index	revision sheet	A	A	A	A						
		1	2	3	4						

cage code 22526

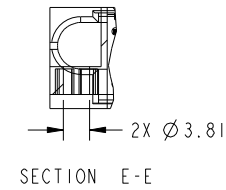
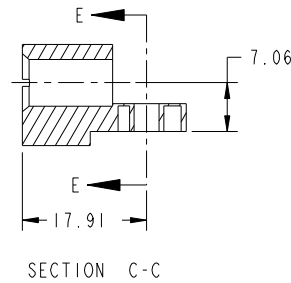
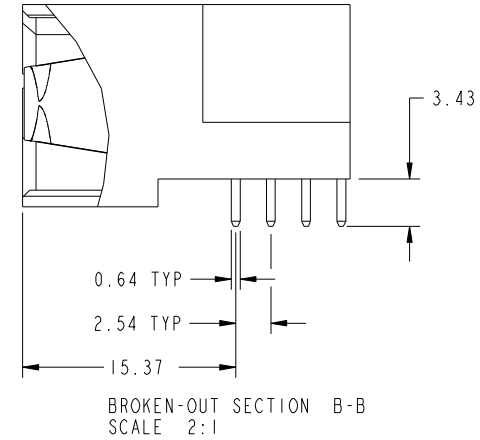
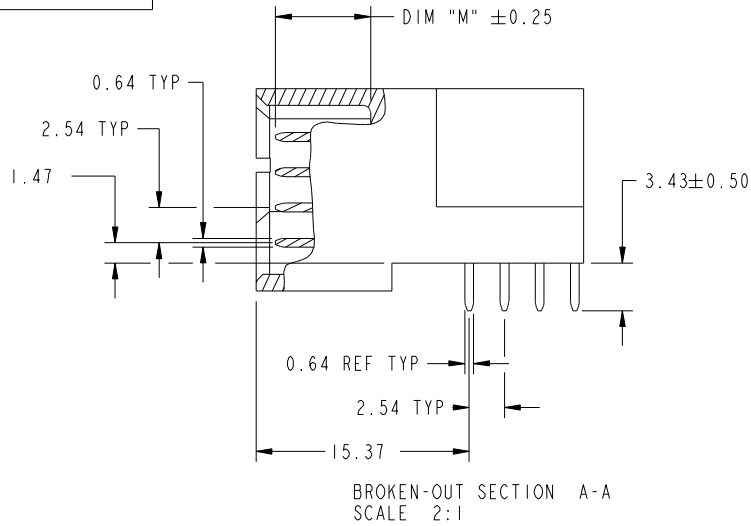
Pro/E

Tous droits strictement reserves. Reproduction ou communication a des tiers interdite sous quelque forme que ce soit sans autorisation ecrite du proprietaire. Propriete de c FCI. Droits de reproduction FCI.

All rights strictly reserved. Reproduction or issue to third parties in any form whatever is not permitted without written authority from the proprietor. Property of FCI. Copyright FCI.



PRODUCT NUMBER  
51939-508..  
NOTE: 3



mat'l code				SEE NOTE		tolerances unless otherwise specified		CUSTOMER		FCI	
ltr	ecn no.	dr	date	linear	0.X ±0.5	COPY		www.fciconnect.com		title	
A					0.XX ±0.25	projection		6ACP + 12S		RIGHT ANGLE SOLDER HEADER	
				angles	0.XXX ±0.1			product family		PwrBlade	code
				dr	0° ±2°			size		dwg no	213
				enr	WL ZHANG 03/16/10	scale		A		51939-508	sheet
				chr	WL ZHANG 03/16/10	1:1					2 of 4
				appd	PM ZHENG 03/16/10						
					JOSEPH HSIA 03/16/10						
sheet index		revision sheet								cage code	
										22526	

Pro/E

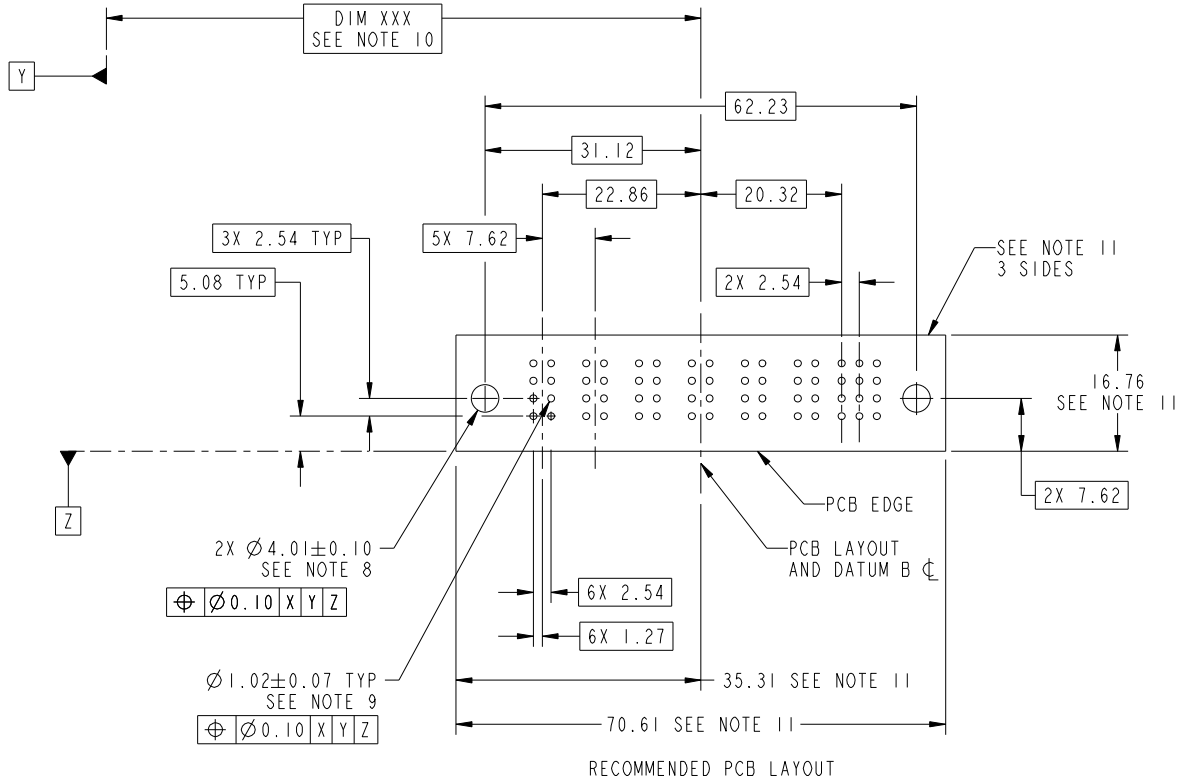
cage code 22526

Tous droits strictement reserves. Reproduction ou communication a des tiers interdite sous quelque forme que ce soit sans autorisation écrite du propriétaire. Propriete de c FCI. Droits de reproduction FCI.

All rights strictly reserved. Reproduction or issue to third parties in any form whatever is not permitted without written authority from the proprietor. Property of FCI. Copyright FCI.



PRODUCT NUMBER  
51939-508--  
NOTE: 3



RECOMMENDED PCB LAYOUT

mat'l code				SEE NOTE		tolerances unless otherwise specified		CUSTOMER		FCI www.fciconnect.com	
ltr	ecn no.	dr	date	linear	0.X ±0.5	COPY		projection		title	
A					0.XX ±0.25					6ACP + 12S RIGHT ANGLE SOLDER HEADER	
				angles	0.XXX ±0.1					product family	PwrBlade
				dr	0° ±2°	WL ZHANG	03/16/10	size	dwg no	code	213
				enrg		WL ZHANG	03/16/10	scale	51939-508	sheet	3 of 4
				chr		PM ZHENG	03/16/10	1:1	A		
				appd		JOSEPH HSIA	03/16/10				
sheet index	revision sheet										

cage code 22526

Pro/E

Tous droits strictement reserves. Reproduction ou communication a des tiers interdite sous quelque forme que ce soit sans autorisation écrite du propriétaire. Propriete de c FCI. Droits de reproduction FCI.



All rights strictly reserved. Reproduction or issue to third parties in any form whatever is not permitted without written authority from the proprietor. Property of FCI. Copyright FCI.

PRODUCT NUMBER  
51939-508\_  
NOTE: 3

NOTES:

1. DIMENSIONS AND TOLERANCES ARE IN ACCORDANCE WITH ASME Y14.5M, 1994 UNLESS OTHERWISE SPECIFIED.

CONNECTOR NOTES:

- 2. HOUSING MATERIAL: UL 94 V-0 GLASS FILLED HIGH-TEMP THERMOPLASTIC  
POWER CONTACT MATERIAL: COPPER ALLOY  
SIGNAL PIN MATERIAL: COPPER ALLOY
- 3. PLATING SPEC.  
SEE ITEM 1 & 2 IN PRINT 10064183 FOR PLATING SPEC OF 51939-508; 51939-508LF PRESPECTIVELY
- 4. MANUFACTURER'S NAME, DATE CODE AND OPTIONAL P/N TO APPEAR ON THIS SURFACE. THE P/N CAN BE OMITTED IF THERE IS NOT ENOUGH SPACE ON THIS SURFACE.
- 5. PRODUCT SPECIFICATION GS-12-149.  
APPLICATION SPECIFICATION BUS-20-067.
- 6. PACKAGED IN TRAYS.

PCB NOTES:

- 7. ALL HOLE DIAMETERS ARE FINISHED HOLE SIZE.
- 8. MOUNTING HOLES, WHERE APPLICABLE, ARE UNPLATED.
- 9.  $\varnothing 1.151 \pm 0.025$  DRILLED HOLES PLATED WITH 0.008 MIN SnPb OR Sn OVER 0.03 TO 0.08 Cu PLATING TO ACHIEVE  $\varnothing 1.02 \pm 0.07$  HOLE.
- 10. "DIM XXX" TO BE DETERMINED BY THE CUSTOMER.
- 11. CONNECTOR KEEP-OUT ZONE.

mat'l code		SEE NOTE		tolerances unless otherwise specified		CUSTOMER		FCI		www.fciconnect.com	
ltr	ecn no.	dr	date	linear	0.X ± 0.5	COPY		title			
A					0.XX ± 0.25	projection		6ACP + 12S			
				angles	0.XXX ± 0.1			RIGHT ANGLE SOLDER HEADER			
				dr	0° ± 2°			product family		PwrBlade	code
				enr	WL ZHANG 03/16/10	scale		size		dwg no	213
				chr	WL ZHANG 03/16/10	1:1		A		51939-508	sheet
				appd	JOSEPH HSIA 03/16/10						4 of 4
sheet index	revision sheet										

cage code 22526

Pro/E