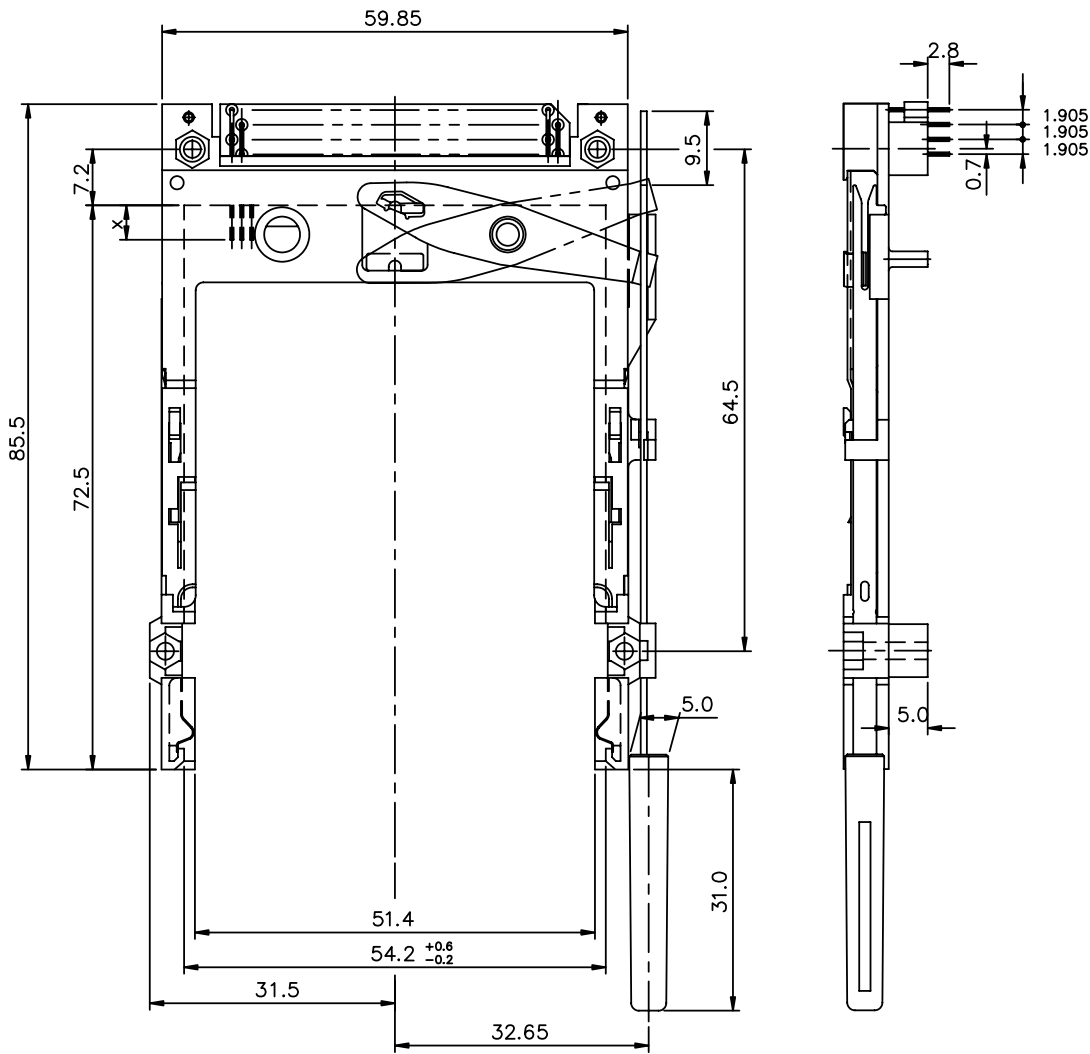


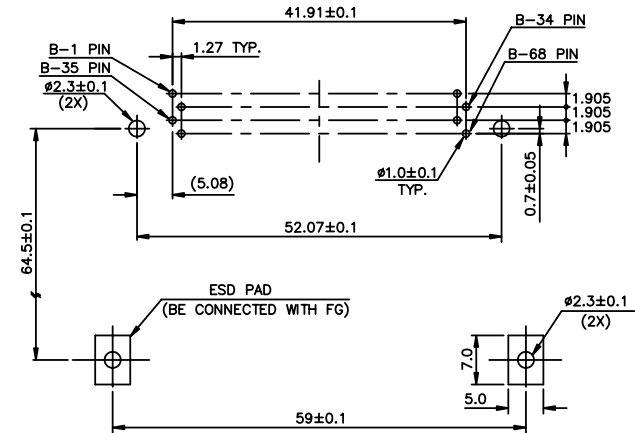
PRODUCT NO.  
52218-050HA/050HALF



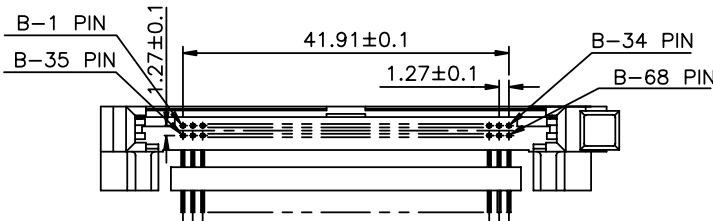
NOTES:

1. EJECT FORCE : 3.5 Kg MAX.
2. EJECT TRAVEL: 8.0mm
3. MATERIAL
  - 3.1 HEADER ASS'Y :
    - PLASTIC : HOUSING ...LCP UL94V-0 BLACK
    - : LOCATOR ...G.F. 6/6 NYLON UL94-VO BLACK
    - PIN : COPPER ALLOY
  - 3.2 EJECT MECHANISM ASS'Y :
    - PLASTIC : GUIDE: POLYPHTHARAMID UL94V-0 BLACK
    - : PUSH BUTTON: POLYPHTHARAMID UL94V-0 BLACK
    - PLATE : STAINLESS
    - EMI CONTACT: PHOSPHOR BRONZE
4. FINISH (PIN)
  - UNDER PLATING : 0.5µm MIN. Ni
  - CONTACT AREA : 0.1µm MIN. GOLD OVER 0.5µm MIN. Pd-Ni
  - SOLDER TAIL(TIN LEAD OPTION): 2.5µm MIN. Sn-Pb
  - SOLDER TAIL(LEAD FREE OPTION): 2.5µm MIN. PURE TIN
5. DIM "X"
 

4.25±0.1	3.5±0.1	5.0±0.1
OTHERS	36,67	1,17,34,35,51,68
6. IF LEAD FREE P/N. THE HOUSING WILL WITHSTAND EXPOSURE TO 260°C PEAK TEMPERATURE FOR 10 SECONDS IN A WAVE SOLDER APPLICATION WITH A 1.00MM MINIMUM THICK CIRCUIT BOARD.
7. LEAD FREE PRODUCT MEETS EUROPEAN UNION DIRECTIVES AND OTHER COUNTRY REGULATIONS AS DISCRIBED IN GS-22-008
8. IF LEAD FREE P/N. PACKAGING MEETS GS-14-920 SPECIFICATION



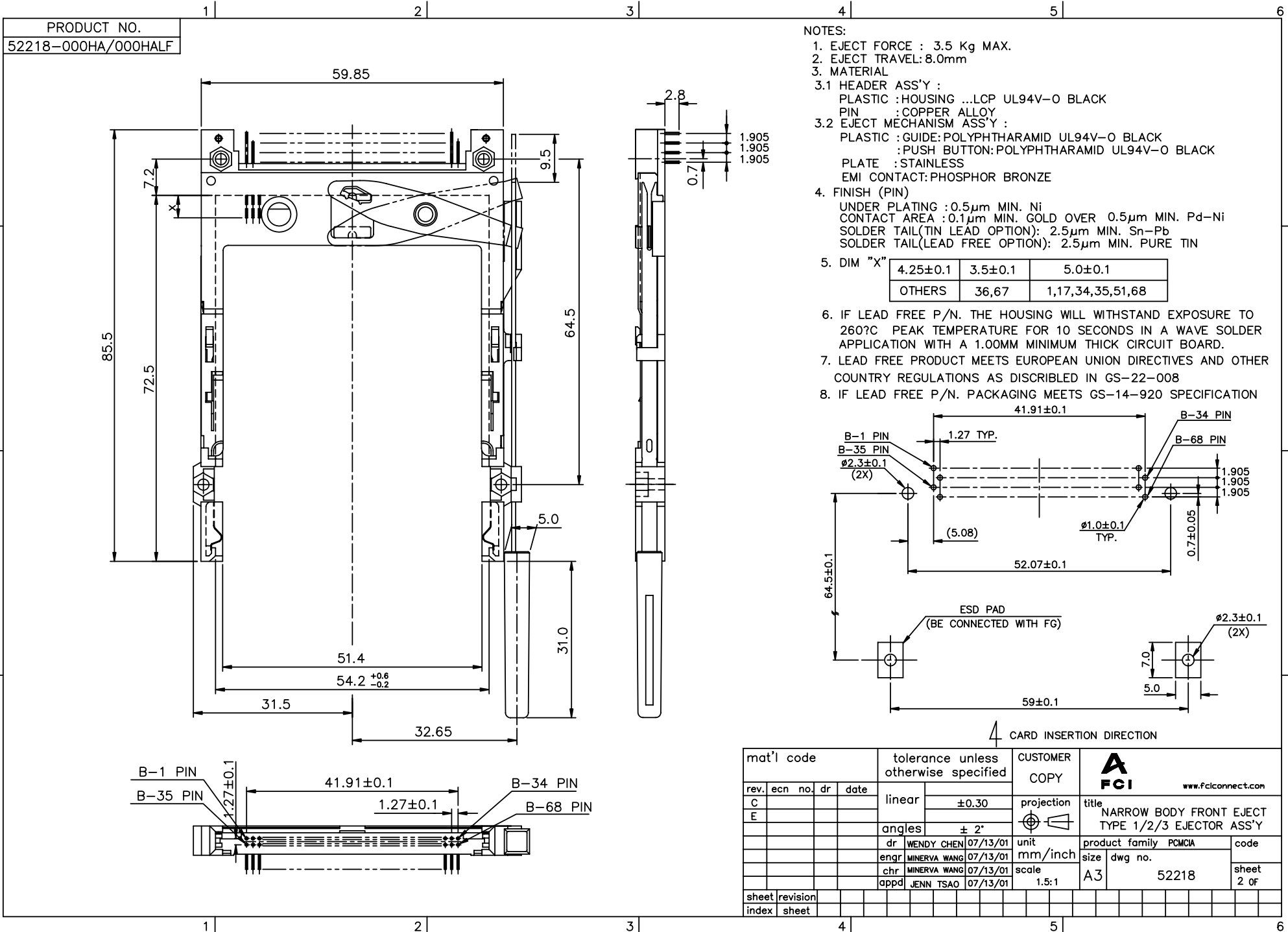
4 CARD INSERTION DIRECTION



mat'l code		tolerance unless otherwise specified		CUSTOMER COPY		 www.fclconnect.com	
rev.	ecn no.	dr	date	linear	±0.30	projection	title
A	T90060	WL	02/10/99				NARROW BODY FRONT EJECT TYPE 1/2/3 EJECTOR ASS'Y
B	T10194	WL	07/13/01				
C	T20166	WL	05/27/02	angles	± 2°		
D	T03-0405	WL	09/17/03	dr	WENDY CHEN	01/21/99	product family
E	N04-0105	WB	11/26/04	engr	LEIF SHEN	01/21/99	PCMCIA
F	N04-0204	WB	07/12/05	chr	JOSEPH HSIA	01/21/99	code
G	N06-0065	MZ	03/17/06	appd	JENN TSAO	01/21/99	size
sheet	revision	E	E	E	G		scale
1	2	3	4				1.5:1
index	sheet	1	2	3	4		A3
							product family
							PCMCIA
							code
							52218
							sheet
							1 OF 4

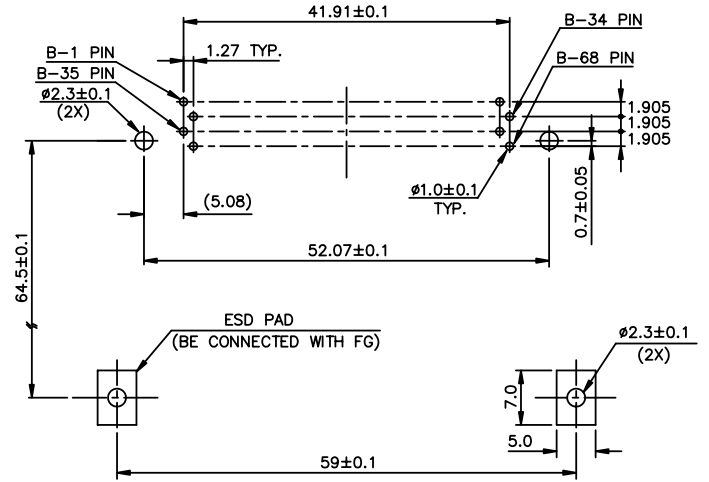
Tous droits strictement réservés. Reproduction ou communication à des tiers sans autorisation écrite du propriétaire.  
 Property of © BERG ELECTRONICS.  
 Droits de reproduction BERG ELECTRONICS by

All rights strictly reserved. Reproduction or issue to third parties in any form without written authority from the proprietor.  
 Property of © BERG ELECTRONICS.  
 Copyright BERG ELECTRONICS by



- NOTES:
- EJECT FORCE : 3.5 Kg MAX.
  - EJECT TRAVEL: 8.0mm
  - MATERIAL
    - HEADER ASS'Y :
      - PLASTIC : HOUSING ...LCP UL94V-0 BLACK
      - PIN : COPPER ALLOY
    - EJECT MECHANISM ASS'Y :
      - PLASTIC : GUIDE: POLYPHTHARAMID UL94V-0 BLACK
      - : PUSH BUTTON: POLYPHTHARAMID UL94V-0 BLACK
      - PLATE : STAINLESS
      - EMI CONTACT: PHOSPHOR BRONZE
  - FINISH (PIN)
    - UNDER PLATING : 0.5µm MIN. Ni
    - CONTACT AREA : 0.1µm MIN. GOLD OVER 0.5µm MIN. Pd-Ni
    - SOLDER TAIL(TIN LEAD OPTION): 2.5µm MIN. Sn-Pb
    - SOLDER TAIL(LEAD FREE OPTION): 2.5µm MIN. PURE TIN

5. DIM "X"	4.25±0.1	3.5±0.1	5.0±0.1
OTHERS	36,67	1,17,34,35,51,68	

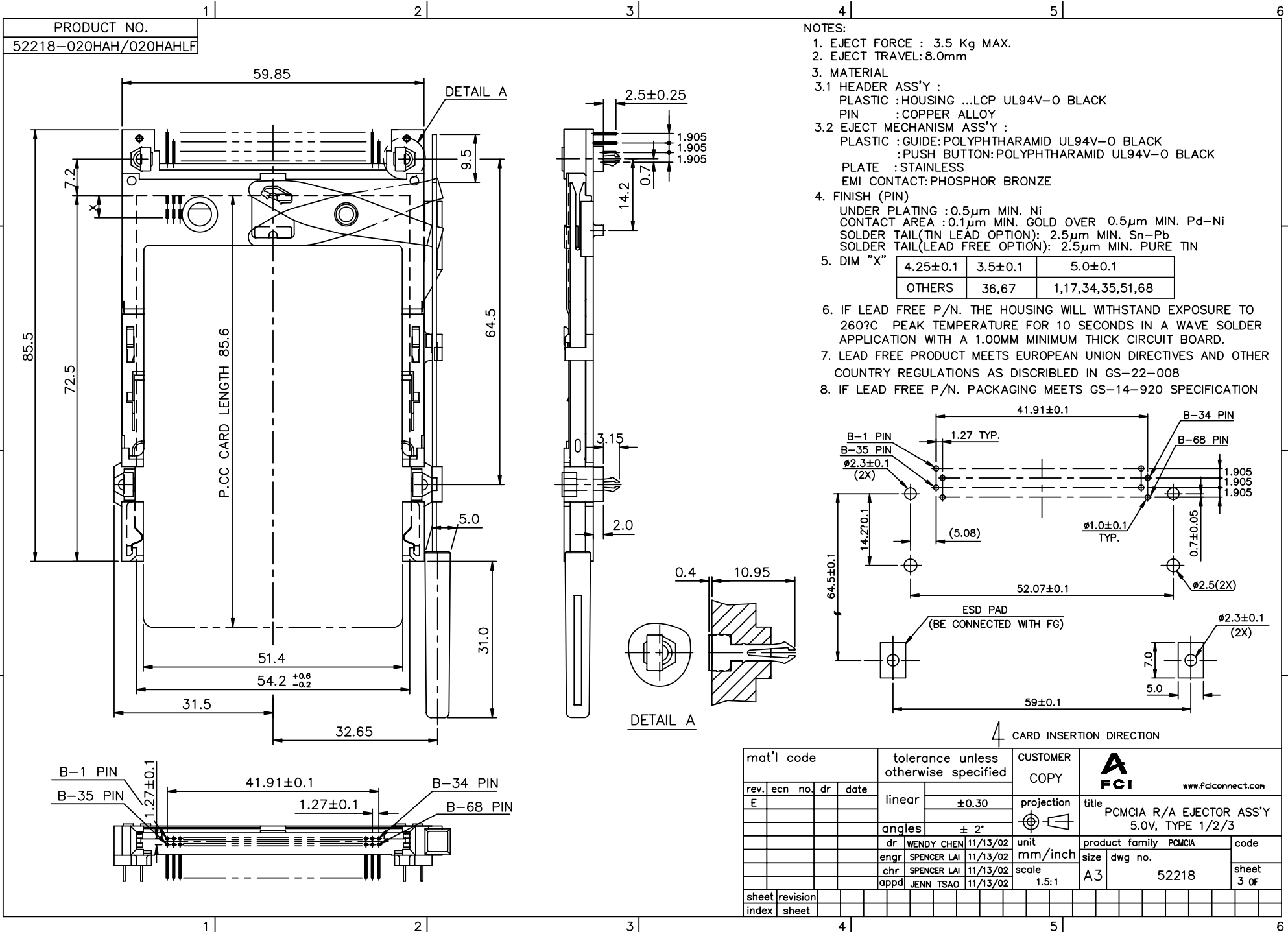


4 CARD INSERTION DIRECTION

mat'l code		tolerance unless otherwise specified		CUSTOMER COPY		 www.fclconnect.com	
rev.	ecn no.	dr	date	linear	±0.30	projection	title
C				angles	± 2°		NARROW BODY FRONT EJECT TYPE 1/2/3 EJECTOR ASS'Y
E				dr	WENDY CHEN 07/13/01	unit	product family
				enqr	MINERVA WANG 07/13/01	mm/inch	PCMCIA
				chr	MINERVA WANG 07/13/01	scale	code
				appd	JENN TSAO 07/13/01	1.5:1	size
							dwg no.
							A3
							52218
sheet	revision						
index	sheet						
							sheet
							2 of

Tous droits strictement réservés. Reproduction ou communication à des tiers sans la permission écrite de BERG ELECTRONICS. Droits de reproduction BERG ELECTRONICS by

All rights strictly reserved. Reproduction or issue to third parties in any form without the written authority from the proprietor. Property of BERG ELECTRONICS. Copyright BERG ELECTRONICS by



- NOTES:
- EJECT FORCE : 3.5 Kg MAX.
  - EJECT TRAVEL: 8.0mm
  - MATERIAL
    - HEADER ASS'Y :
      - PLASTIC : HOUSING ...LCP UL94V-0 BLACK
      - PIN : COPPER ALLOY
    - EJECT MECHANISM ASS'Y :
      - PLASTIC : GUIDE: POLYPHTHARAMID UL94V-0 BLACK
      - : PUSH BUTTON: POLYPHTHARAMID UL94V-0 BLACK
      - PLATE : STAINLESS
      - EMI CONTACT: PHOSPHOR BRONZE
  - FINISH (PIN)
    - UNDER PLATING : 0.5µm MIN. Ni
    - CONTACT AREA : 0.1µm MIN. GOLD OVER 0.5µm MIN. Pd-Ni
    - SOLDER TAIL (TIN LEAD OPTION): 2.5µm MIN. Sn-Pb
    - SOLDER TAIL (LEAD FREE OPTION): 2.5µm MIN. PURE TIN
  - DIM "X"
 

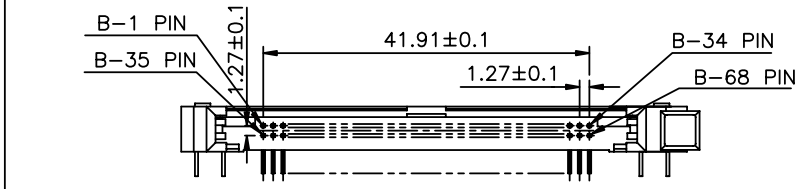
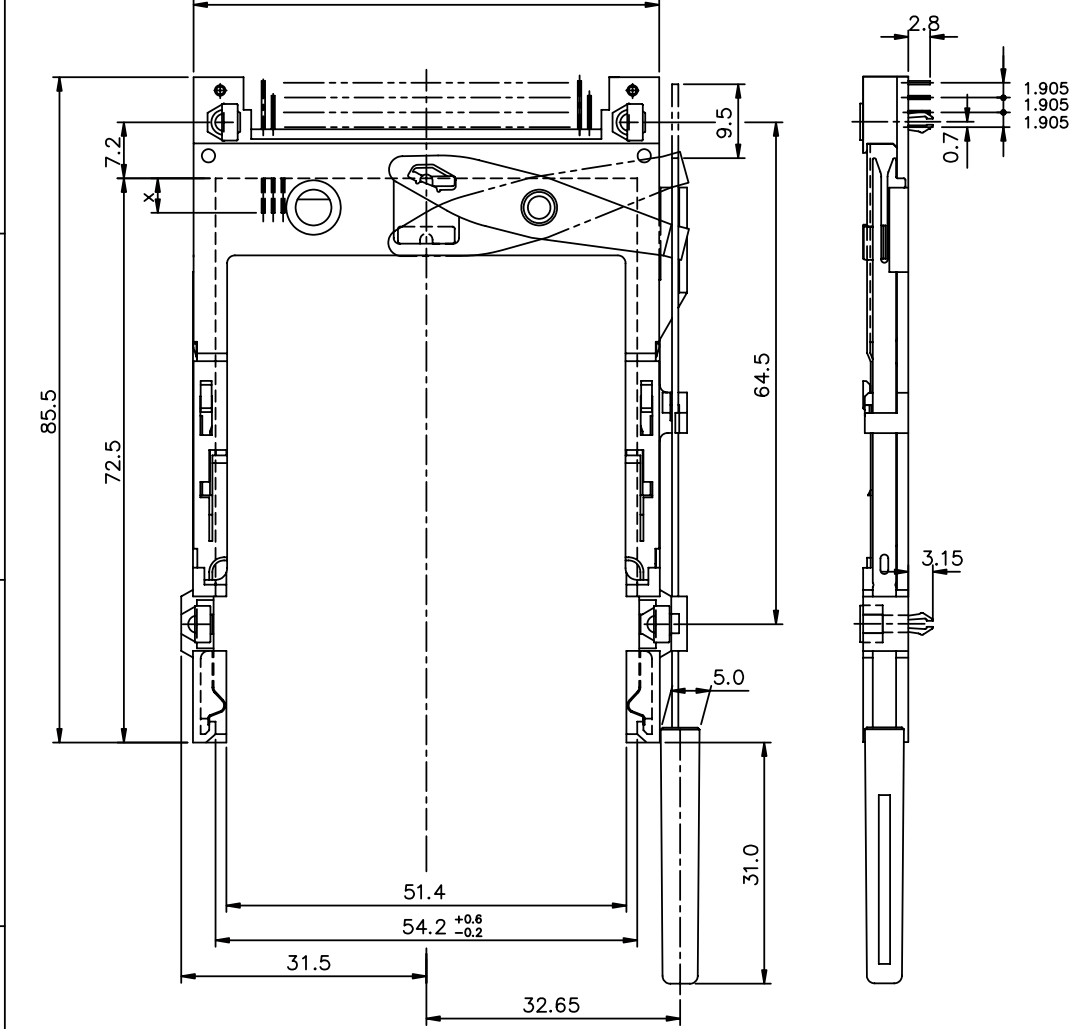
4.25±0.1	3.5±0.1	5.0±0.1
OTHERS	36,67	1,17,34,35,51,68
  - IF LEAD FREE P/N. THE HOUSING WILL WITHSTAND EXPOSURE TO 260°C PEAK TEMPERATURE FOR 10 SECONDS IN A WAVE SOLDER APPLICATION WITH A 1.00MM MINIMUM THICK CIRCUIT BOARD.
  - LEAD FREE PRODUCT MEETS EUROPEAN UNION DIRECTIVES AND OTHER COUNTRY REGULATIONS AS DISCRIBED IN GS-22-008
  - IF LEAD FREE P/N. PACKAGING MEETS GS-14-920 SPECIFICATION

mat'l code		tolerance unless otherwise specified		CUSTOMER COPY		 www.fciconnect.com	
rev.	ecn no.	dr	date	linear	±0.30	projection	title
E				angles	± 2°		PCMCIA R/A EJECTOR ASS'Y 5.0V, TYPE 1/2/3
		dr	WENDY CHEN 11/13/02	unit	mm/inch	product family	PCMCIA
		enr	SPENCER LAI 11/13/02	scale	1.5:1	size	dwg no.
		chr	SPENCER LAI 11/13/02			A3	52218
		appd	JENN TSAO 11/13/02				sheet 3 of
sheet	revision						
index	sheet						

Tous droits strictement réservés. Reproduction ou communication à des tiers sans autorisation écrite du propriétaire.  
 Property of © BERG ELECTRONICS.  
 Droits de reproduction BERG ELECTRONICS by

All rights strictly reserved. Reproduction or issue to third parties in any form without written authority from the proprietor.  
 Property of © BERG ELECTRONICS.  
 Copyright BERG ELECTRONICS by

PRODUCT NO.  
 52218-000HAH/000HAHLF  
 52218-000MHAHLF

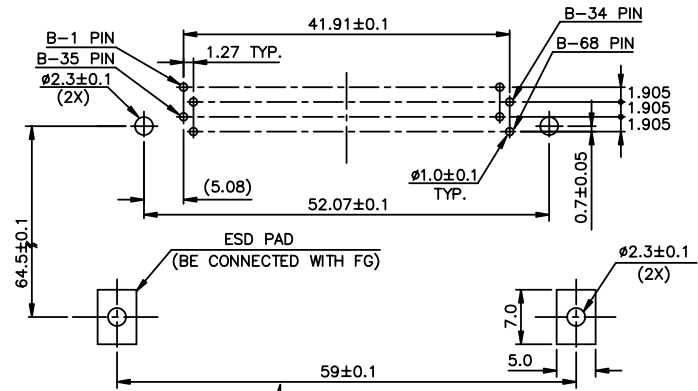


NOTES:

1. EJECT FORCE : 3.5 Kg MAX.
2. EJECT TRAVEL: 8.0mm
3. MATERIAL
- 3.1 HEADER ASS'Y :  
 HOUSING: PLASTIC, UL94V-0 BLACK  
 PIN : COPPER ALLOY
- 3.2 EJECT MECHANISM ASS'Y :  
 PLASTIC : GUIDE: POLYPHTHARAMID UL94V-0 BLACK  
 : PUSH BUTTON: POLYPHTHARAMID UL94V-0 BLACK  
 PLATE : STAINLESS  
 EMI CONTACT: COPPY ALLOY
4. FINISH (PIN)  
 UNDER PLATING : 0.5  $\mu\text{m}$  MIN. Ni  
 CONTACT AREA : 0.1  $\mu\text{m}$  MIN. GOLD OVER 0.5  $\mu\text{m}$  MIN. Pd-Ni  
 SOLDER TAIL (TIN LEAD OPTION): 2.5  $\mu\text{m}$  MIN. Sn-Pb  
 SOLDER TAIL (LEAD FREE OPTION): 2.5  $\mu\text{m}$  MIN. PURE TIN
5. DIM "X"

4.25 $\pm$ 0.1	3.5 $\pm$ 0.1	5.0 $\pm$ 0.1
OTHERS	36,67	1,17,34,35,51,68

6. IF LEAD FREE P/N. THE HOUSING WILL WITHSTAND EXPOSURE TO 260°C PEAK TEMPERATURE FOR 10 SECONDS IN A WAVE SOLDER APPLICATION WITH A 1.00MM MINIMUM THICK CIRCUIT BOARD.
7. LEAD FREE PRODUCT MEETS EUROPEAN UNION DIRECTIVES AND OTHER COUNTRY REGULATIONS AS DISCRIBED IN GS-22-008
8. IF LEAD FREE P/N. PACKAGING MEETS GS-14-920 SPECIFICATION
- 9 "M" SHOWS IT IS SPECIAL VERSION, IT IS OPTIONAL AND IN FIRST OF LETTER OF PART NO., 52218-000MHAHLF IS SPECIAL VERSION. 52218-000HAHLF IS NOT SPECIAL VERSION. SPECIAL VERSION DETAIL REFER TO 52219 AND 92140



4 CARD INSERTION DIRECTION

mat'l code		tolerance unless otherwise specified	CUSTOMER COPY	www.fclconnect.com				
rev.	ecn no.	dr	date					
G				linear	$\pm 0.30$	projection	title	
				angles	$\pm 2^\circ$		NARROW BODY FRONT EJECTOR ASS'Y	
		dr	WENDY CHEN	07/13/01	unit	product family		PCMCIA
		enqr	MINERVA WANG	07/13/01	mm/inch	code		
		chr	MINERVA WANG	07/13/01	scale	size		dwg no.
		appd	JENN TSAO	07/13/01	1.5:1	A3	52218	
sheet index	revision sheet							sheet 4 of