

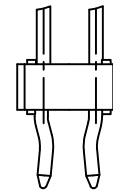
PRODUCT NUMBER  
54122-XXXXXXXXXXLF

**EXTENDED RANGE**  
 - TOOLING FEASIBILITY CONFIRMED  
 - SAMPLES ON DEMAND  
 - AVAILABILITY ON DEMAND

PLATING  
(AS AVAILABLE)

- 1 = 0.76µm GOLD/GXT ON CONTACT AREA  
2µm MIN MATTE TIN ON TAIL  
OVER 1.27µm Ni MIN
- 4 = 2µm MIN MATTE TIN  
OVER 1.27µm Ni MIN
- 8 = 0.38µm GOLD/GXT ON CONTACT AREA  
2µm MIN MATTE TIN ON TAIL  
OVER 1.27µm Ni MIN
- 9 = GOLD FLASH ON CONTACT AREA  
2µm MIN MATTE TIN ON TAIL  
OVER 1.27µm Ni MIN

- RoHS COMPATIBLE  
SEE NOTE 9
- OPTIONAL LETTER (AS AVAILABLE)  
SEE NOTE 8
- STACK HEIGHT, SEE NOTE 6
- TOTAL NB OF POSITIONS  
04 TO 72
- PIN STYLE, SEE TABLE  
(AS AVAILABLE)

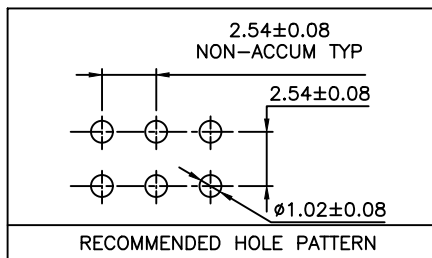
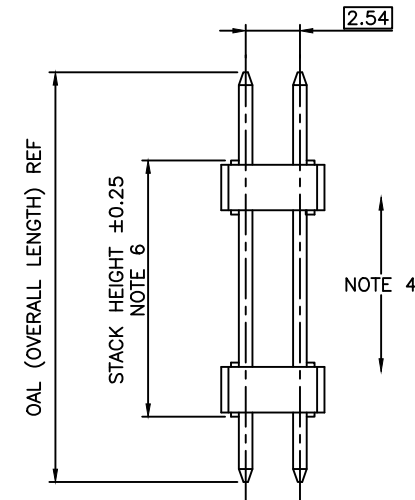
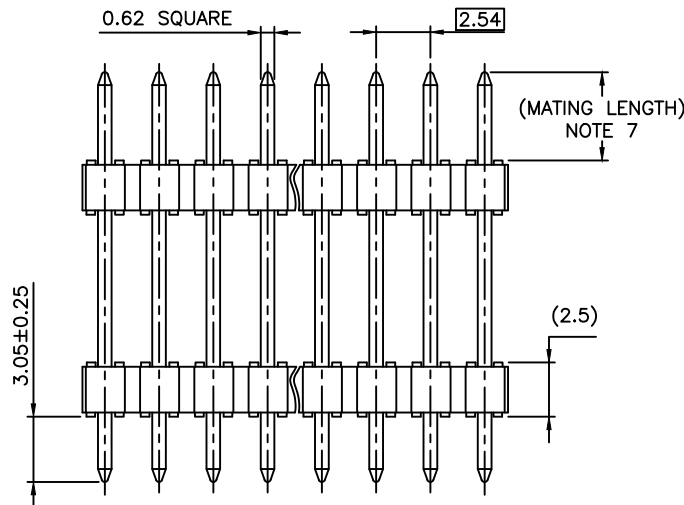
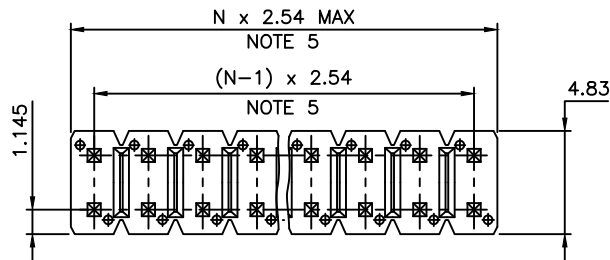


SCHEMA 1  
TWO RETENTION PIN AT EACH  
END OF THE PRODUCT

NOTES:

1. HOUSING MATERIAL : HIGH TEMPERATURE THERMOPLASTIC. UL94V-0 COLOR: BLACK
2. PIN MATERIAL : PHOSPHOR BRONZE
3. STANDARD PACKAGING IN POLYBAG
4. 9N MIN RETENTION IN EITHER DIRECTION
5. TO DETERMINE DIMENSIONS :  
N = NUMBER OF POSITIONS PER ROW  
EXAMPLE : 8 POS PER ROW, N x 2.54 = 20.32mm
6. XXXX = MILLIMETERS  
SPECIFY MILLIMETERS  
5.0mm MIN TO 60.00mm MAX AVAILABLE  
OAL 65.0MM MAX AVAILABLE.  
EXAMPLE FOR STACK HEIGHT:  $1 \underline{2} \underline{5} \underline{0}$  = 12.5mm
7. MATING LENGTH = (OAL)-(3.05)-(STACK HEIGHT)
8. OPTIONAL LETTER :  
"R" : RETENTION LEGS  
RETENTION IS APPLIED TO TWO ADJACENT PINS AT EACH END OF THE PRODUCT SEE SCHEMA 1  
OMIT FROM PRODUCT NUMBER IF THIS FEATURE IS NOT APPLICABLE  
"V" : BLIBOX PACKAGING FOR CUSTOMER DEDICATED PART
9. RoHS COMPATIBLE PRODUCT SPECIFICATIONS
  - a - PLATING:  
- "LF" MEANS THE PRODUCT IS LEAD-FREE, 2µm MINIMUM MATTE TIN OVER 1.27µm MINIMUM NICKEL UNDERPLATE.
  - b - MANUFACTURING PROCESS COMPATIBILITY  
- THE HOUSING WILL WITHSTAND EXPOSURE TO 260°C ±5°C SOLDER BATH TEMPERATURE FOR 5 SECONDS IN A WAVE SOLDER APPLICATION WITH A 1.6mm MIN THICK CIRCUIT BOARD.
  - c - LABELLING:  
- MEETS PACKAGING SPECS AS PER GS-14-920
  - d - THIS PRODUCT MEETS EUROPEAN UNION DIRECTIVES AND OTHER COUNTRY REGULATIONS AS DESCRIBED IN GS-47-0004.
10. THIS PART SERIES IS NOT INITIALLY INTENDED FOR AUTOMOTIVE APPLICATIONS. ADDITIONAL FEES ARE CHARGEABLE FOR ANY ADDITIONAL QUALIFICATION AND TEST REPORTS PERFORMED OUTSIDE THE SCOPE OF THE STANDARD PRODUCT SPECIFICATIONS.
11. UNLESS OTHERWISE APPROVED BY AMPHENOL, ALL PARTS AND COMPONENTS ARE DESIGNED & BUILT ACCORDING TO AMPHENOL'S SPECIFICATIONS WHICH ARE SUBJECT TO CHANGE WITHOUT NOTICE.

OAL	PIN STYLE
11.17	29
12.2	01
13.5	02
15.9	03
16.56	15
16.76	04
17.65	05
18.91	06
20.50	28
20.96	07
22.40	19
23.5	08
26.04	09
26.42	14
27.5	34
28.00	18
28.58	10
29.70	31
30.48	20
31.12	11
32.15	21
33.66	12
34.00	13
36.20	16
37.30	22
37.95	32
38.40	23
40.00	30
41.00	33
42.30	24
43.00	25
45.00	35
47.00	26
52.00	27
53.00	36



mat'l. code		surface		tolerance		projection		product family	
SEE NOTES		ISO 1302 ✓		ISO 406 ISO 1101		mm		BERGSTIK	
ltr	ecn no	dr	date	tolerances unless otherwise specified		mm		title	
R	F-22228	AMA	15.10.20	angles	linear	x.x ±0.3	scale 4:1	UNSHR.HEADER	
S	F-26104	LMU	17.02.16			x.xx ±0.13		STR DR TMT	
T	F-42792	LMU	22.12.20			x.xxx ±0.05		dwg no	
U	F-47064	DDE	23.01.18	dr	D.LEGRAND	01.01.24	sheet 1 of 1		
V	F-54150	DDE	25.01.06	engr	J.COMPAGNON	01.01.24	size		
W	F-54496	DDE	25.02.05	chr	J.COMPAGNON	01.01.24	A3		
				appd	JF.NOTTEAU	01.01.24	type		
sheet		revision						CUSTOMER Drawing	
index		sheet							

Copyright FCI  
 Amphenol FCI  
 FCconnect.com