

PRODUCT NUMBER
57202-XXX-XXXXL1F

ROHS COMPATIBLE
SEE NOTE 7

POLARIZATION, SEE NOTE 6

PACKAGING, SEE NOTE 5

NB OF POS PER ROW : 02 TO 25

- PLATING
- S = 0.38µm GOLD/GXT ON CONTACT AREA
2µm MIN MATTE TIN ON TAIL
 - G = 0.76µm GOLD/GXT ON CONTACT AREA
2µm MIN MATTE TIN ON TAIL
 - F = GOLD FLASH ON CONTACT AREA
2µm MIN MATTE TIN ON TAIL
 - T = 2-6.0µm FULL MATTE TIN

1.27µm MIN NICKEL UNDERPLATING

| STYLE | POST LENGTH ±0.2 |
|-------|---------------------|
| 51 | 2.00 |
| 52 | 4.00 |
| 53 | 3.50 |
| 54 | 2.50 |
| 55 | 5.50 |

NOTES:

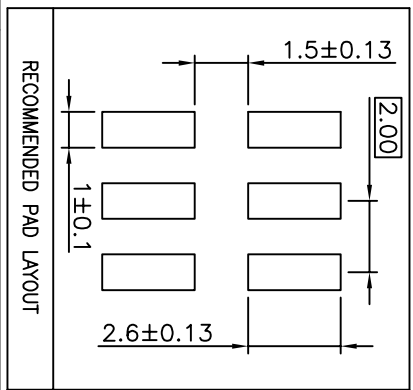
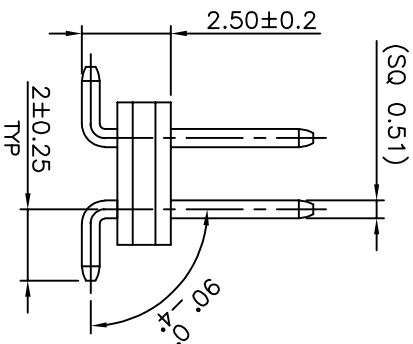
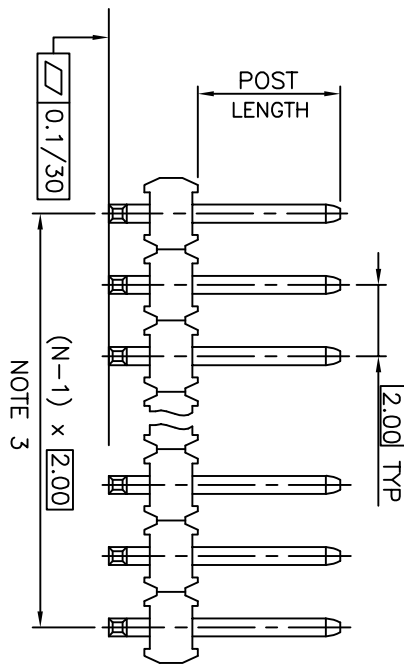
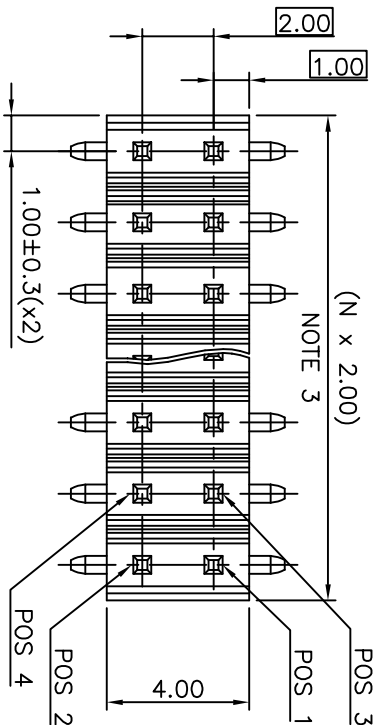
1. MATERIAL HOUSING: HIGH TEMP. THERMOPLASTIC
UL 94V-0, COLOR BLACK
2. MATERIAL TERMINAL: COPPER ALLOY
3. TO DETERMINE DIMENSIONS:
N = NUMBER OF POSITIONS PER ROW.
4. 7N MIN. PIN RETENTION IN EITHER DIRECTION.
5. PACKAGING:
= STANDARD PACKAGING IN POLYBAGS
= POLYBAGS PACKAGING WHEN POLARISATION FEATURE APPLICABLE.
U = TUBE AVAILABLE FROM 04 TO 25 POS PER ROW.
A = TAPE AND REEL WITH PICK UP CAP, AS AVAILABLE
K = TAPE AND REEL WITHOUT CAP, AS AVAILABLE.
ER = TAPE & REEL WITH CAP, FOR CUSTOMER DEDICATED PART AND SPECIFIC LABEL ON REEL

6. FOR POLARIZATION, SPECIFY POSITION NUMBER TO OMIT PIN.
EXAMPLE : 03 = OMIT PIN POSITION 3, SEE TOP VIEW.
OMIT FROM PRODUCT NUMBER IF THIS FEATURE IS NOT APPLICABLE.

7. ROHS COMPATIBLE PRODUCT SPECIFICATIONS

- a - PLATING:
- "LF" MEANS THE PRODUCT IS LEAD-FREE,
2µm MINIMUM MATTE TIN OVER 1.27µm
MINIMUM NICKEL UNDERPLATE.
- b - MANUFACTURING PROCESS COMPATIBILITY
- THE HOUSING WILL WITHSTAND EXPOSURE TO
260°C PEAK TEMPERATURE FOR 30 SECONDES
IN A CONVECTION, INFRA-RED OR VAPOR
PHASE REFLOW OVEN.
- c - LABELLING:
- MEETS PACKAGING SPECS AS PER GS-14-920
- d - LEGAL STATEMENT : SEE GS-47-0004

TOP VIEW



CAP DIMS FOR 2x3 POS UP TO 2x25 POS

| thr | ecn no | dr | date | surface | tolerance | projection |
|-----|---------|-----|----------|---------------------------------------|-----------------|------------|
| U | F-49168 | DDE | 23.09.01 | ISO 1302 | ISO 406 ISO 150 | 101 |
| V | F-49735 | DDE | 23.11.10 | tolerances unless otherwise specified | | |
| W | F-52794 | DDE | 24.09.04 | angles | .X ±0.3 | mm |
| | | | | linear | .XX ±0.13 | |
| | | | | .XXX | ±0.05 | scale 1:1 |
| R | B-19988 | LMU | 15.01.13 | dr | L.MULIN | 04.05.06 |
| S | B-20032 | AMA | 15.01.20 | enfr | JCOMPAGNON | 0.4.11.25 |
| T | F-23051 | AMA | 16.01.15 | chp | JM.C | 04.11.25 |

CAP DIMS FOR 2x2 POS

| thr | ecn no | dr | date | surface | tolerance | projection |
|-----|---------|-----|----------|---------------------------------------|-----------------|------------|
| U | F-49168 | DDE | 23.09.01 | ISO 1302 | ISO 406 ISO 150 | 101 |
| V | F-49735 | DDE | 23.11.10 | tolerances unless otherwise specified | | |
| W | F-52794 | DDE | 24.09.04 | angles | .X ±0.3 | mm |
| | | | | linear | .XX ±0.13 | |
| | | | | .XXX | ±0.05 | scale 1:1 |
| R | B-19988 | LMU | 15.01.13 | dr | L.MULIN | 04.05.06 |
| S | B-20032 | AMA | 15.01.20 | enfr | JCOMPAGNON | 0.4.11.25 |
| T | F-23051 | AMA | 16.01.15 | chp | JM.C | 04.11.25 |

product family
MINITEK

title
UNSH HEADER

2.00 mm VERTICAL SMT

sheet no
57202

sheet 1 of 1 size
A3