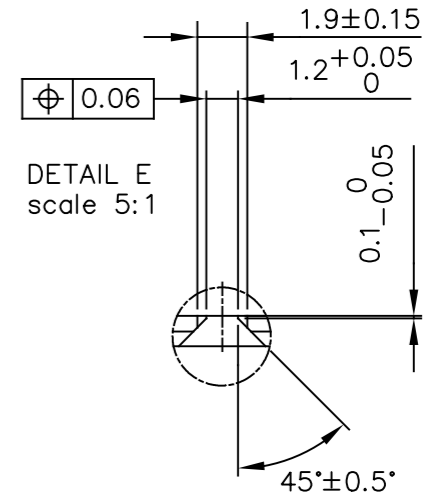
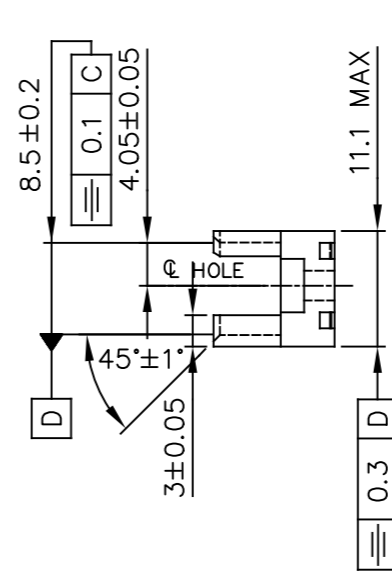
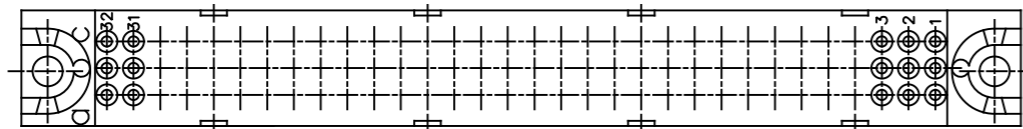
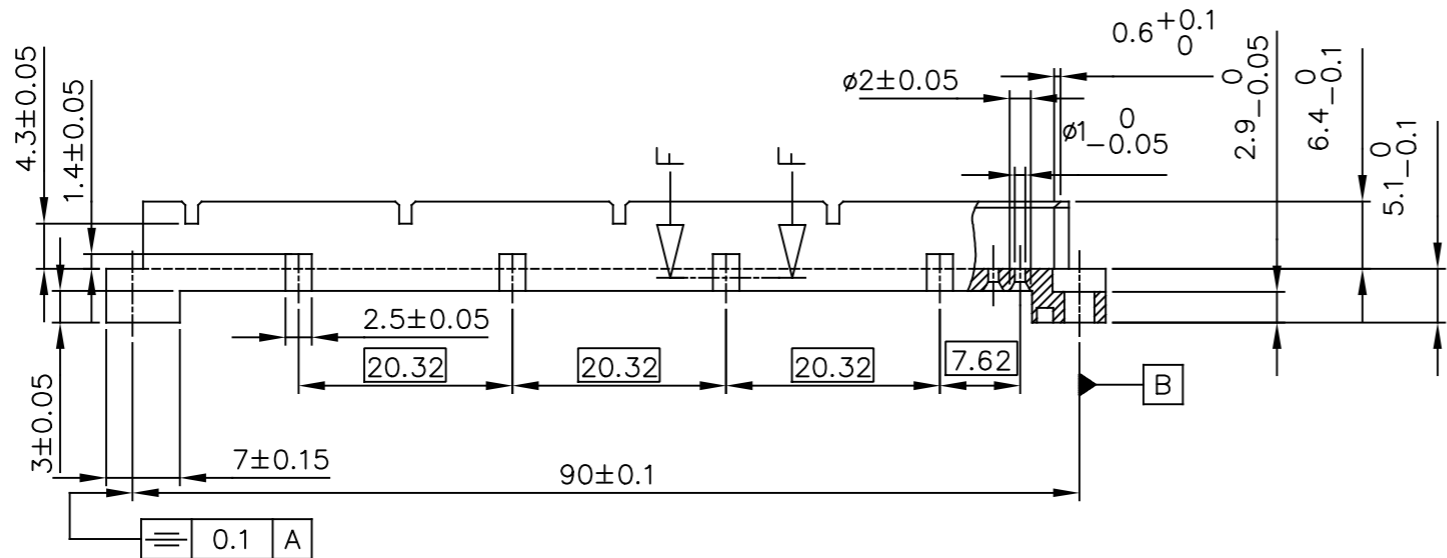
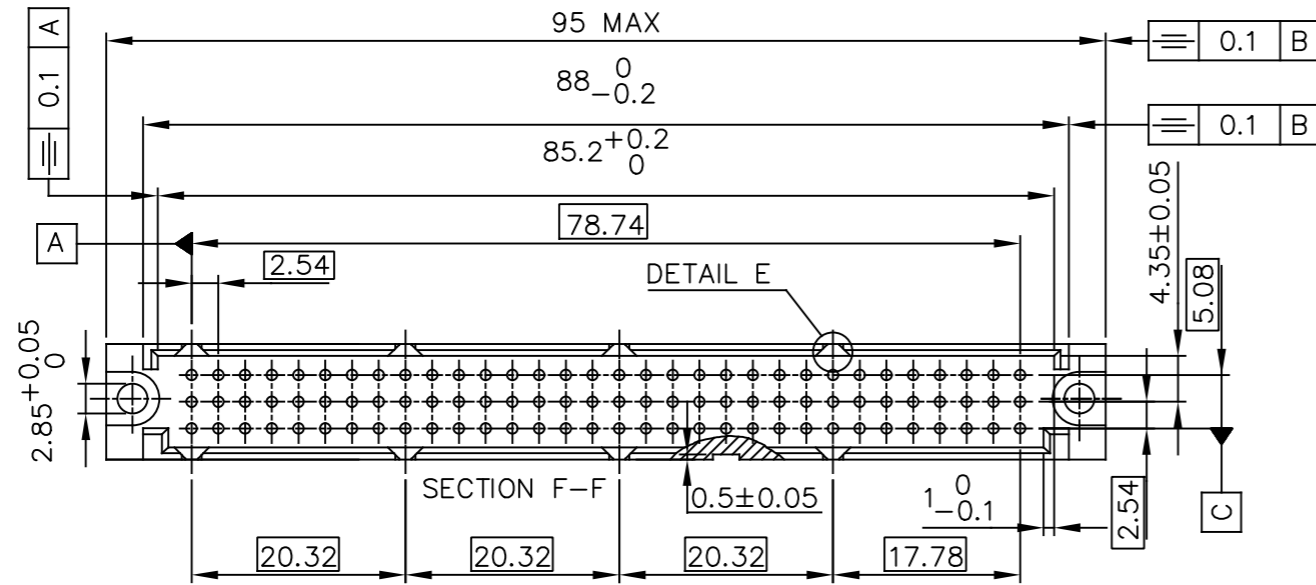


PRODUCT NUMBER	REMARKS
65191-001	see sheet 1
65191-002	see sheet 2



THERMOPLASTIC POLYESTER; FLAME RETARDANT PER UL-94-V0; COLOUR: GREY

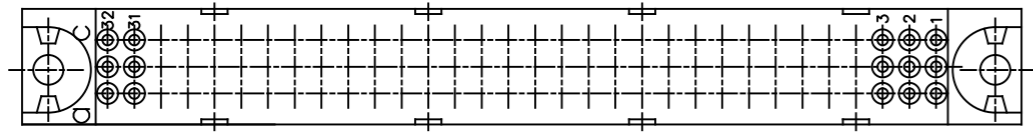
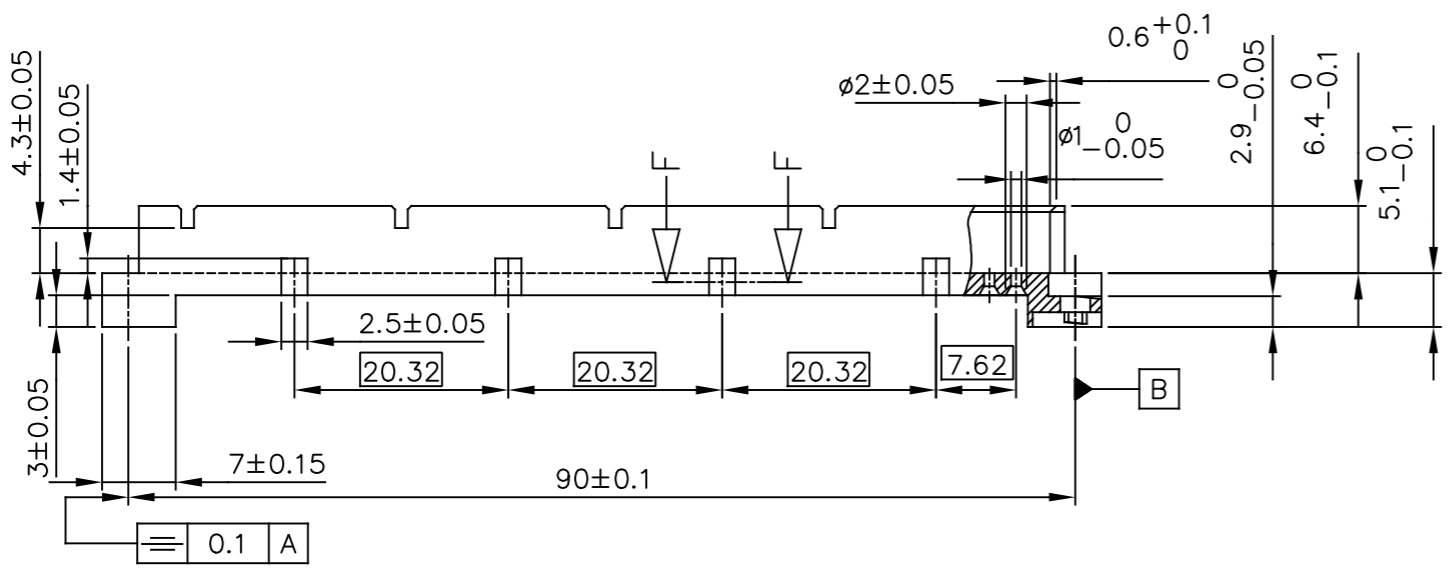
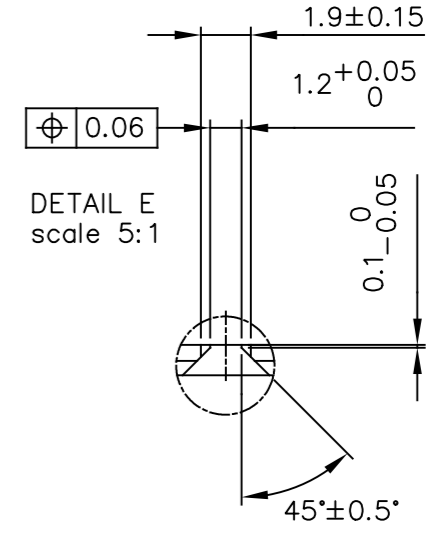
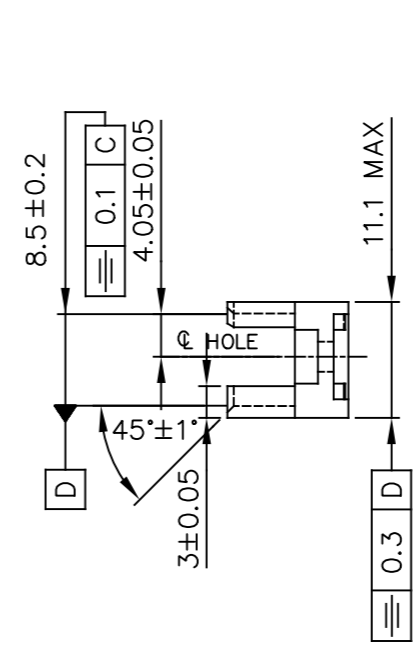
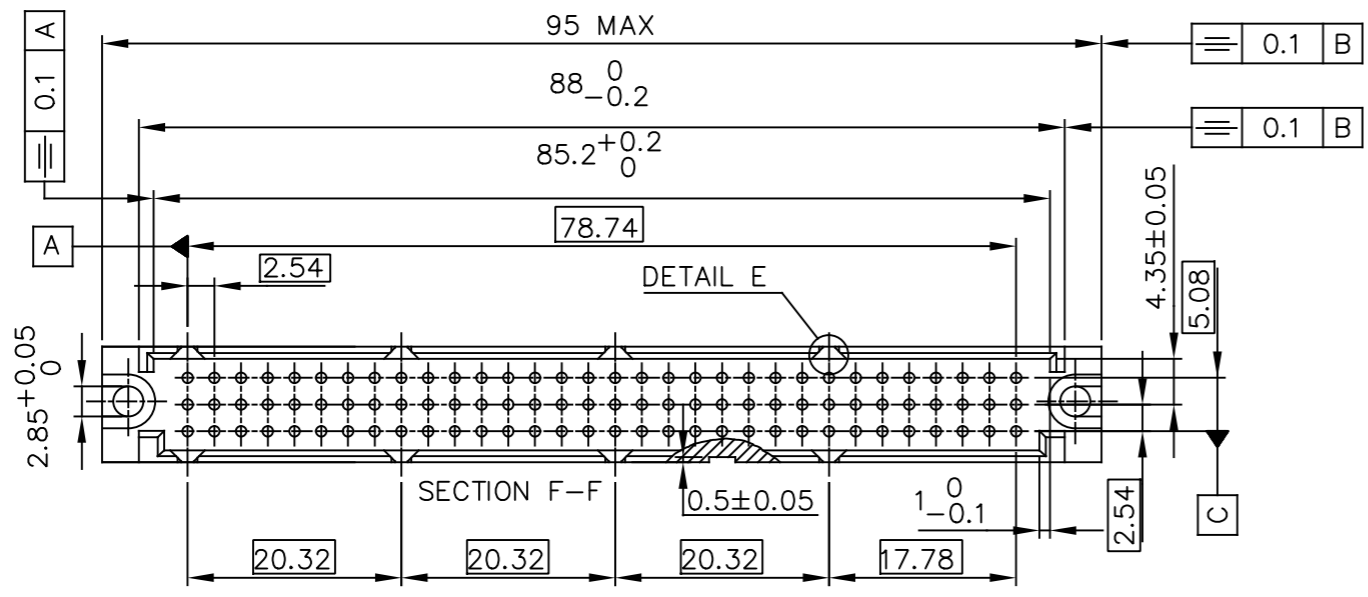
- NOTES:-
- THIS PRODUCT MEETS EUROPEAN UNION DIRECTIVES AND OTHER COUNTRY REGULATIONS AS DESCRIBED IN GS-22-008.
 - LEADFREE OR RoHS DIRECTIVE LABELLING TO BE PROVIDED AS PER GS-14-920.
 - " LF " SUFFIX TO PRODUCT NUMBER FOR RoHS COMPATIBLE/ LEADFREE VERSION.
 - PARTS WITH AND WITHOUT "LF" SUFFIX ARE FORM-FIT AND FUNCTIONALLY IDENTICAL. " LF " SUFFIX PROVIDED FOR PART NUMBER STANDARDISATION OF PART THAT MEETS RoHS REQUIREMENTS.

mat'l. code		surface		tolerance		projection		product family	
SEE NOTE		ISO 1302		ISO 406 ISO 1101		mm		BACKPANEL	
ltr	ecn no	dr	date	tolerances unless otherwise specified		mm		title	
K	H70344	DDB	1997-06-03	angles	linear	mm		B.P SHROUD	
L	F00406	LLA	2000-05-22			mm			
M	I05-0123	MINI	2005-07-27			scale -			
N	I05-0248	MINI	2005-11-22	dr	D.LEGRAND	2000-10-09	dwg no		sheet 1 of 2
P	I06-0068	MINI	2006-06-01	enr	J.F.NOTTEAU	2000-10-09	65191		A2
R	I11-0139	MJA	2011-07-18	chr	M JACOB	2022-02*25	type		Product Customer Drawing
S	ELX-I-43920	MJA	2022-02-25	appd	SANOJ	2022-02-25			
sheet index	revision sheet	S	H						
		1	2						

Amphenol FCI

Copyright AFCI

PRODUCT NUMBER 65191-002



THERMOPLASTIC POLYESTER; FLAME RETARDANT PER UL-94-V0; COLOUR: GREY

mat'l. code SEE NOTE				surface ISO 1302 ✓		tolerance ISO 406 ISO 1101		projection mm		product family BACKPANEL	
ltr				ecn no		dr		date		title B.P SHROUD	
C				H70344		DDB		1997-06-03		dwg no	
D				I05-0123		MINI		2005-07-27		sheet 2 of 2	
E				I05-0248		MINI		2005-11-22		size A2	
F				I06-0068		MINI		2006-06-01		Amphenol FCI	
G				I11-0139		MJA		2011-07-18		65191	
H				ELX-I-43920		MJA		2022-02-25		Product Customer Drawing	
sheet index		revision sheet									

- NOTES:-
- THIS PRODUCT MEETS EUROPEAN UNION DIRECTIVES AND OTHER COUNTRY REGULATIONS AS DESCRIBED IN GS-22-008.
 - LEADFREE OR RoHS DIRECTIVE LABELLING TO BE PROVIDED AS PER GS-14-920.
 - " LF " SUFFIX TO PRODUCT NUMBER FOR RoHS COMPATIBLE/ LEADFREE VERSION.
 - PARTS WITH AND WITHOUT "LF " SUFFIX ARE FORM-FIT AND FUNCTIONALLY IDENTICAL. " LF " SUFFIX PROVIDED FOR PART NUMBER STANDARDISATION OF PART THAT MEETS RoHS REQUIREMENTS.

Amphenol FCI

Copyright AFCI