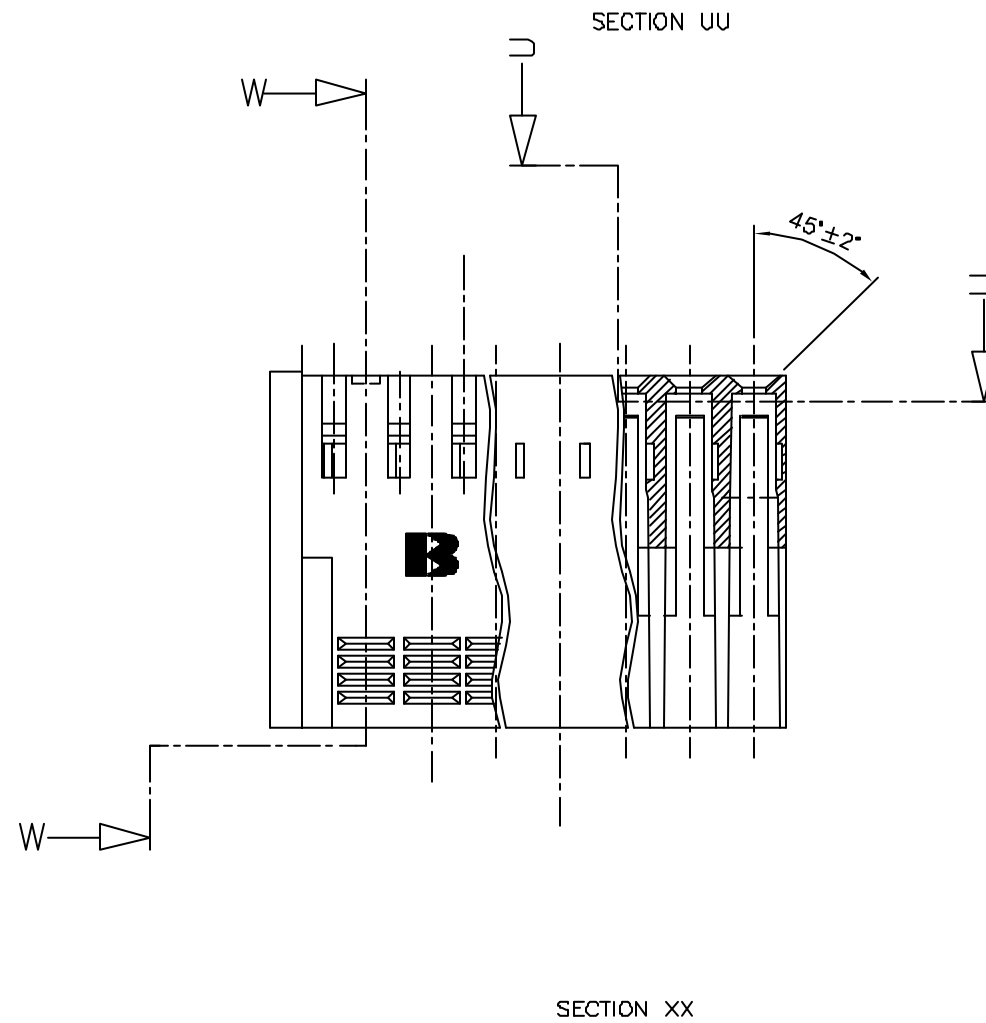
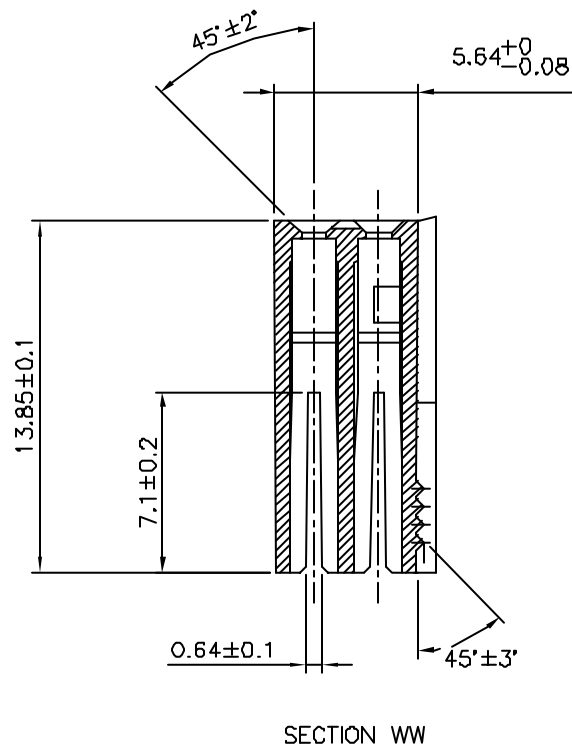
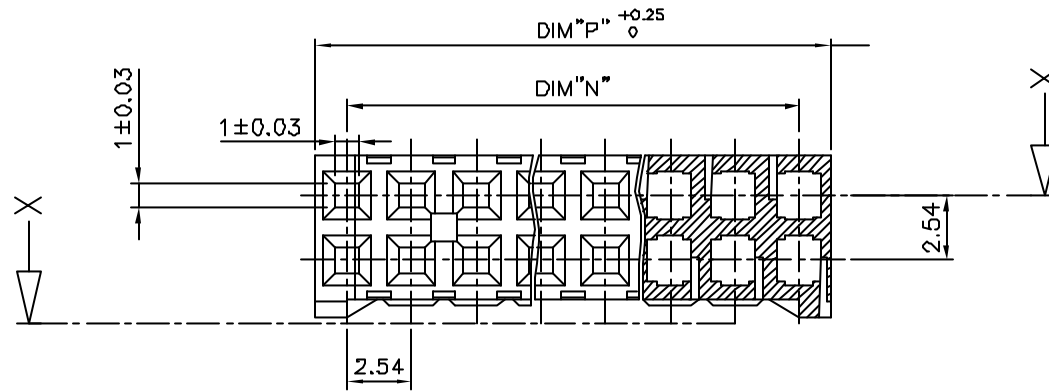


PRODUCT NUMBER  
66987-0XXLF

WHEN NEEDED, SUFFIX LETTER "LF"  
INDICATES THE PRODUCT IS RoHS  
COMPLIANT, SEE NOTE 5



NOTES:

- 1 - MOLDING MATERIAL: PBT 30% GLASS FILLED, COLOUR BLUE, FLAME RETARDANT, ACCORDING TO UL 94, CATEGORY V0.
- 2 - OVER DASH NUMBER -006 ONLY THE FIRST AND LAST THREE POSITIONS MUST HAVE GROOVES ON TWO SIDES
- 3 - THIS HOUSING IS INTENDED FOR USE WITH BERG TERMINAL # 76785-YXX AND BERG HEADERS # 76385-YXX OR 76383-YXX
- 4 - FOR BERG DUFLEX CLINCHER APPLICATION DATA SEE SPECIFICATION TA-333 SHEET 213-10F1
- 5 - RoHS COMPATIBLE PRODUCT SPECIFICATIONS
  - a - LABELING:
    - MEETS PACKAGING SPECS AS PER GS-14-920
  - b - LEGAL STATEMENT: SEE GS-22-008

THE PRODUCT IS NOT INTENDED TO BE EXPOSED TO A MANUFACTURING SOLDER PROCESS.

CUSTOMER COPY FOR REFERENCE ONLY									
mat'l. code	SEE NOTE 1	surface	ISO 1302	tolerance	ISO 406	ISO 101	projection	product family	VCC DR
lrr	ecr	no	dr	date	tolerances	unless	otherwise	specified	title
A	F80388	DLE	98.07.10	angles	linear		mm		DUFLEX
B	F00499	PNZ	00.09.13				scale 1:5		HOUSING DOUBLE ROW
C	FD4-D347	DLE	04.12.10						dwg no
D	FDS-D189	DLE	05.04.07	dr	D LEGRAND	98.07.10			sheet 1 of 2
E	FDS-D236	DLE	05.08.24	engr	JM PHAMVAN	98.07.10			size
F	FDS-D286	DLE	05.11.07	chr	P NIZZI	98.07.10			A2
G	FD6-D226	DLE	06.07.07	appd	JMP	98.07.10			type
sheet	revision	G	F						CUSTOMER Drawing
index	sheet	1	2						

PRODUCT NUMBER	NUMBER OF POS.	DIM"N"	DIM"P"
66987-002(LF)	2 x 02	2.54	5.00
66987-003(LF)	2 x 03	5.08	7.54
66987-004(LF)	2 x 04	7.62	10.08
66987-005(LF)	2 x 05	10.16	12.62
66987-006(LF)	2 x 06	12.70	15.16
66987-007(LF)	2 x 07	15.24	17.70
66987-008(LF)	2 x 08	17.78	20.24
66987-009(LF)	2 x 09	20.32	22.78
66987-010(LF)	2 x 10	22.86	25.32
66987-011(LF)	2 x 11	25.40	27.86
66987-012(LF)	2 x 12	27.94	30.40
66987-013(LF)	2 x 13	30.48	32.94
66987-014(LF)	2 x 14	33.02	35.48
66987-015(LF)	2 x 15	35.56	38.02
66987-016(LF)	2 x 16	38.10	40.56
66987-017(LF)	2 x 17	40.64	43.10
66987-018(LF)	2 x 18	43.18	45.64
66987-019(LF)	2 x 19	45.72	48.18
66987-020(LF)	2 x 20	48.26	50.72
66987-021(LF)	2 x 21	50.80	53.26
66987-022(LF)	2 x 22	53.34	55.80
66987-023(LF)	2 x 23	55.88	58.34
66987-024(LF)	2 x 24	58.42	60.88
66987-025(LF)	2 x 25	60.96	63.42
66987-026(LF)	2 x 26	63.50	65.96
66987-027(LF)	2 x 27	66.04	68.50
66987-028(LF)	2 x 28	68.58	71.04
66987-029(LF)	2 x 29	71.12	73.58
66987-030(LF)	2 x 30	73.66	76.12
66987-031(LF)	2 x 31	76.20	78.66
66987-032(LF)	2 x 32	78.74	81.20
66987-033(LF)	2 x 33	81.28	83.74
66987-034(LF)	2 x 34	83.82	86.28
66987-035(LF)	2 x 35	86.36	88.82
66987-036(LF)	2 x 36	88.90	91.36

A

B

C

D

E

F

A

B

C

D

E

F

FCI CONFIDENTIAL



FCIconnect.com

This document is the property of and contains confidential and proprietary information of FCI. It is to be used only for the purpose intended without the written consent of FCI. Copyright FCI.

mat'l. code		surface		tolerance		projection		product family	
SEE NOTES SHEET 1		ISO 1302		ISO 406 ISO 1101				VCC DR	
ltr	ecr no	dr	date	tolerances unless otherwise specified				title	
E	F05-0236	DLE	05.08.24	.D±x		mm		DUFLEX	
F	F06-0226	DLE	06.07.07	angles	Linear	.DD±.0x		HOUSING DOUBLE ROW	
				α±x'		.000±.00x		scale N/A	
		dr	D LEGRAND	98.07.13					dwg no
		engr	P NIZZI	98.07.13					sheet 2 of 2
		chr	D LEGRAND	98.07.13					66987
		appd	P NZ	98.07.13					A2
sheet index		revision sheet						type	
								CUSTOMER Drawing	