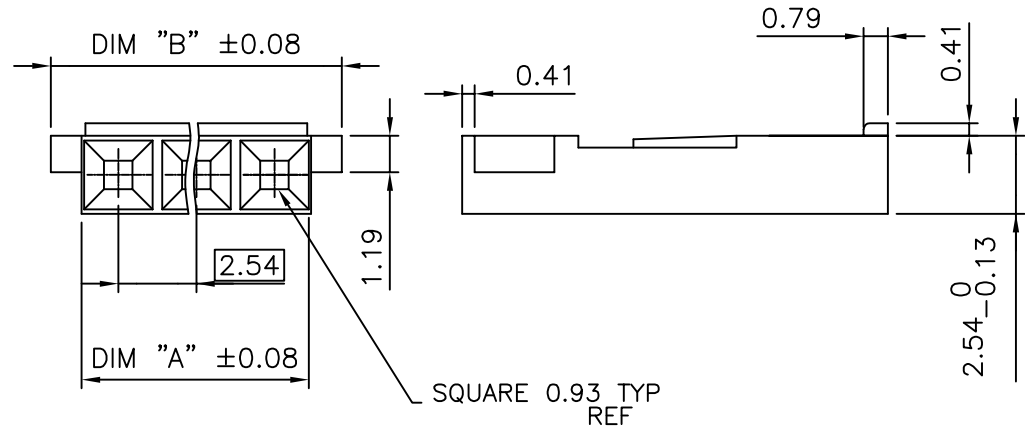
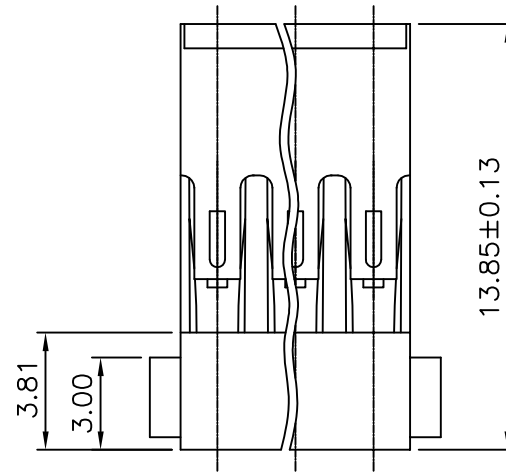


PRODUCT NUMBER	No. OF POS.	DIM "A"	DIM "B"
67954-001LF	1x02	4.93	6.93
67954-002LF	1x03	7.47	9.47
67954-003LF	1x04	10.01	12.01



NOTES:

- MOLDING MATERIAL : POLYAMID (PA 66), COLOR BLACK 25% GLASS FILLED, UL 94 V0
- STANDARD PACKAGING IN POLYBAGS
- TERMINALS MUST BE CRIMPED PROPERLY FOR SATISFACTORY LATCHING :
 - FOR CRIMPING INSTRUCTIONS, SEE TA-75
 - FOR TERMINAL APPLICATION SEE TA-531.
 PRODUCT SPECIFICATION: BUS-12-067.
- THIS HOUSING IS INTENDED FOR USE WITH MINI PV TERMINAL WITH 22-36 GAUGE WIRE
- PRODUCT MEETS EUROPEAN UNION DIRECTIVES AND OTHER COUNTRY REGULATIONS AS DESCRIBED IN GS-22-008.
- THE PRODUCT IS NOT INTENDED TO BE EXPOSED TO A MANUFACTURING SOLDER PROCESS.

mat'l. code SEE NOTES		surface ISO 1302	tolerance ISO 406 ISO 1101	projection mm	product family BERCONN
ltr	ecn no	dr	date	title	
H	v07-0532	HTB	07.08.16	MINI LATCH SR	
J	F11-0099	LMU	11.09.05	POLARIZED HSG 2.54mm	
		dr	L.MULIN	11.05.19	dwg no
		enr	L.MULIN	11.05.19	sheet 1 of 1 size
		chr			67954 A3
		appd	L.MU	11.05.19	type
					CUSTOMER Drawing
sheet index	revision sheet				



FCIconnect.com

Copyright FCI