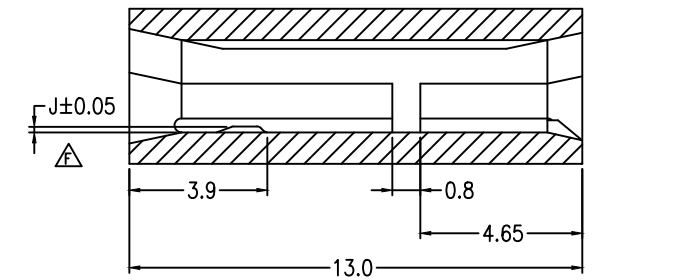
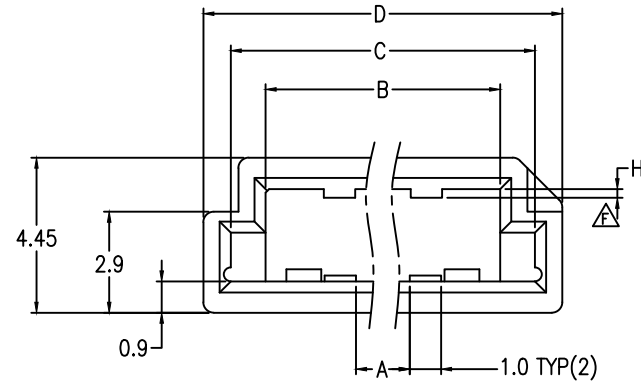
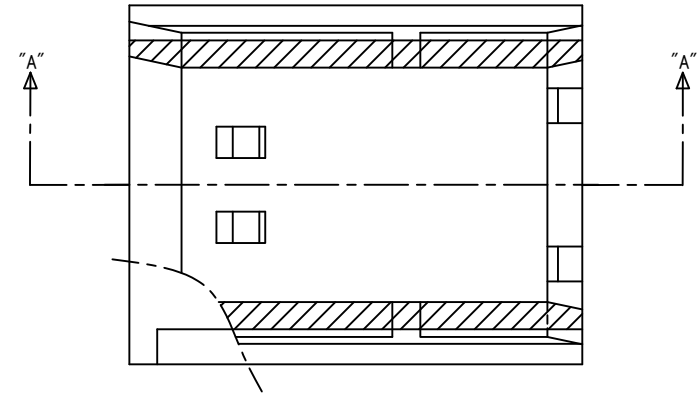


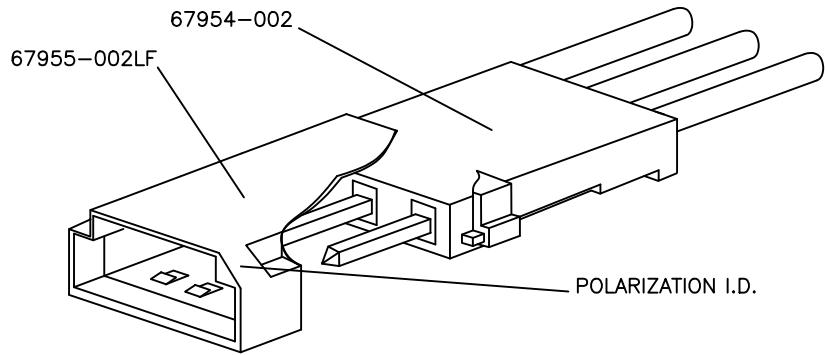
PRODUCT NO.	MATERIAL
67955-XXXLF	XYRON 340Z, COLOR BLACK, UL94V-0
67955-XXXHLF	ZYTEL FR50, COLOR BLACK, UL94V-0

EXTENDED RANGE

- TOOLING FEASIBILITY CONFIRMED
- SAMPLES ON DEMAND
- AVAILABILITY ON DEMAND



SECTION "A"- "A"



mat'l. code		surface		tolerance		projection		product family	
SEE NOTES		ISO 1302 ✓		ISO 406 ISO 1101				PV HOUSING	
ltr	ecn no	dr	date	tolerances unless otherwise specified		mm		title	
D	J05-0525	R.S	05.08.19	angles	linear	.x ±0.3		POLARIZED M/L HOUSING SHROUD	
E	J06-0279	R.S	06.07.25			.xx ±0.13		dwg no	
F	J10-0121	S.W	10.05.20			.xxx ±0.05		sheet 1 of 2	
G	F-30561	DDE	18.06.27	dr	D.DETOUILLO	18.06.27		size	
H	F-54543	DDE	25.02.07	chr	L.MULIN	18.06.27		A3	
				chr	L.MULIN	18.06.27		67955	
				appd	A.SOUDY	18.06.27		type	
								CUSTOMER Drawing	
sheet	revision	H	E						
index	sheet	1	2						

Amphenol FCI FCIconnect.com

Copyright FCI

67955-003LF	4	5.08	10.27	12.27	13.84	0.25	0.17
67955-003HLF							
67955-002LF	3	2.54	7.73	9.73	11.3		
67955-002HLF							
67955-001LF	2	0	5.19	7.19	8.76		
67955-101HLF							
67955-001HLF							
P/N	NO. of POS	A	B	C	D	H	J

NOTES:

- FIG.1 SHOWS 67955-002LF MATED WITH POLARIZED MINI LATCH HOUSING. 67954-002 LOADED WITH CTW MALE PIN.
- THIS PRODUCT MEETS EUROPEAN UNION DIRECTIVES AND OTHER COUNTRY REGULATIONS AS DESCRIBED IN GS-22-008.
- THIS PRODUCT IS NOT INTENDED TO BE EXPOSED TO A MANUFACTURING SOLDER PROCESS.
- THIS PART SERIES IS NOT INITIALLY INTENDED FOR AUTOMOTIVE APPLICATIONS. ADDITIONAL FEES ARE CHARGEABLE FOR ANY ADDITIONAL QUALIFICATION AND TEST REPORTS PERFORMED OUTSIDE THE SCOPE OF THE STANDARD PRODUCT SPECIFICATIONS.
- UNLESS OTHERWISE APPROVED BY AMPHENOL, ALL PARTS AND COMPONENTS ARE DESIGNED & BUILT ACCORDING TO AMPHENOL'S SPECIFICATIONS WHICH ARE SUBJECT TO CHANGE WITHOUT NOTICE.

mat'l. code SEE NOTES				surface ISO 1302 <input checked="" type="checkbox"/>		tolerance ISO 406 ISO 1101		projection 		product family PV HOUSING	
ltr	ecn no	dr	date	tolerances unless otherwise specified		angles		mm		title POLARIZED M/L HOUSING SHOUD	
A	J05-0525	R.S	05.08.19			linear				dwg no	
B	J06-0279	R.S	06.07.25							sheet 2 of 2	
C	J10-0121	S.W	10.05.20					scale 1:1		size A3	
D	F-30561	DDE	18.06.27	dr	D.DETOUILLO	18.06.27				type CUSTOMER Drawing	
E	F-54543	DDE	25.02.07	enrg	L.MULIN	18.06.27				67955	
				chr	L.MULIN	18.06.27					
				appd	A.SOUDY	18.06.27					
sheet index	revision sheet										